

Ferrule  
Boccola

**004N**



Swaged Ferrule  
(skive)

108

**0013**



Swaged Ferrule  
(skive)

108

NPTF Male

**0370H**



NPTF Male 60° cone

109

BSP 60°

**0350H**



BSP Male Parallel 60°  
cone

109

**0050H**



BSP Female 60° cone  
Thrust Wire

110

**0150H**



BSP 90° Swept Elbow  
60° cone Thrust Wire

110

**0250H**



BSP 45° Swept Elbow  
60° cone Thrust Wire

111

JIC male

**0850H**



JIC Male 74° cone

111

JIC 37°

**0900H**



JIC Female 74° cone  
Thrust Wire

112

**0950H**



JIC 90° Swept Elbow  
74° cone Thrust Wire

112

**1000H**



JIC 45° Swept Elbow  
74° cone Thrust Wire

113

CES/DKOS

**0450H**



Metric Male 24° Seat  
Heavy

113

**0084H**



Metric Female 24°  
Seat Heavy

114

DKOS  
DKOS

**0184H**



90° Metric Swept  
Elbow 24° Seat Heavy

114

**0284H**



45° Metric Swept  
Elbow 24° Seat Heavy

115

ORFS

**S050H**



ORFS Female

115

**S05TH**



ORFS Female Back  
Hexagon

116

**S150H**



ORFS 90° Swept Elbow

116

**S250H**



ORFS 45° Swept Elbow

117

**S350H**



ORFS Male

117



**1250H**



Straight SAE Flange 3000 PSI

118

**1050H**



90° SAE Flange 3000 PSI

119

**1150H**



45° SAE Flange 3000 PSI

120

**1300H**



Straight SAE Flange 6000 PSI

121

**1100H**



90° SAE Flange 6000 PSI

122

**1200H**



45° SAE Flange 6000 PSI

123



**130SH**



Straight 'CAT' Flange

123

**110SH**



90° 'CAT' Flange

124

**120SH**

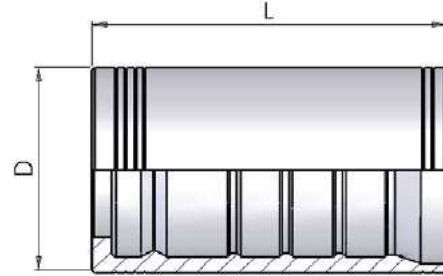


45° 'CAT' Flange

124

# 004N

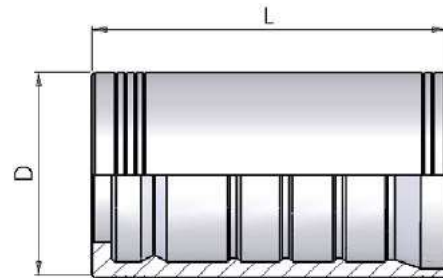
## Swaged Ferrule (skive)



Part number	Hose I.D.	Dimensions		Skive Length
		D	L	
	in			
004N-12	3/4	38	60	52/15
004N-16	1	46	745	64/17
004N-20	1.1/4	55	88	74/22
004N-24	1.1/2	62	94	81/22,5
004N-32	2	78	99	85/30

# 0013

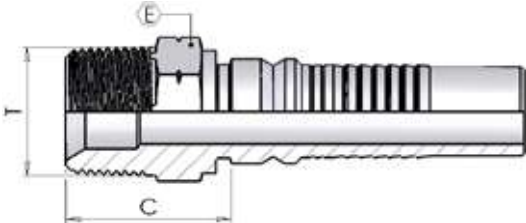
## Swaged Ferrule (skive)



Part number	Hose I.D.	Dimensions		Skive Length
		D	L	
	in			
0013-20	1.1/4	60	88	74/22
0013-24	1.1/2	67	94	81/22,5
0013-32	2	845	99	85/30

# 0370H

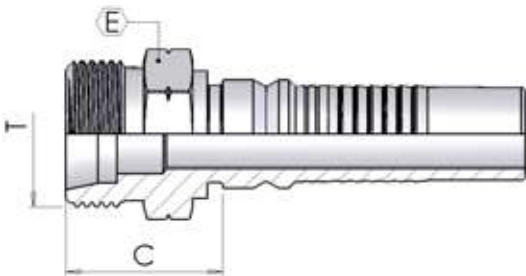
## NPTF Male 60° cone



Part number	Hose I.D.	Dimensions		
		dash size	Hex E	Cut-Off C
0370H12-12	3/4	12	27	35
0370H16-16	1	16	36	41
0370H20-20	1.1/4	20	46	44
0370H24-24	1.1/2	24	50	47
0370H32-32	2	32	65	54

# 0350H

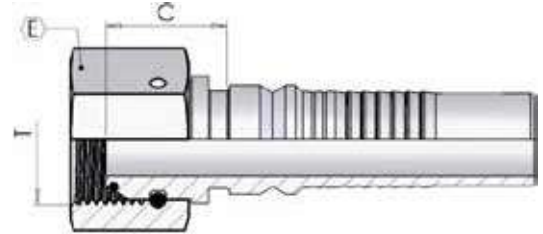
## BSP Male Parallel 60° cone



Part number	Hose I.D.	Dimensions		
		dash size	Hex E	Cut-Off C
0350H12-12	3/4	12	32	33
0350H12-16	3/4	12	41	36
0350H16-16	1	16	41	37
0350H16-20	1	16	50	41
0350H20-20	1.1/4	20	50	42
0350H24-24	1.1/2	24	55	44
0350H32-32	2	32	70	53

# 0050H

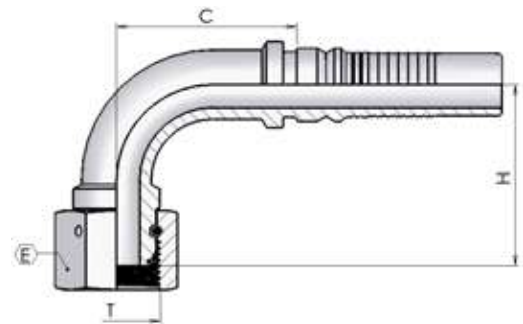
## BSP Female 60° cone Thrust Wire



Part number	Hose I.D.	Dimensions		
		dash size	Hex E	Cut-Off C
	in			
0050H12-12	3/4	12	32	23
0050H12-16	3/4	12	38	25
0050H16-16	1	16	38	26
0050H20-20	1.1/4	20	50	29
0050H20-24	1.1/4	20	55	31
0050H24-24	1.1/2	24	55	31
0050H32-32	2	32	70	30

# 0150H

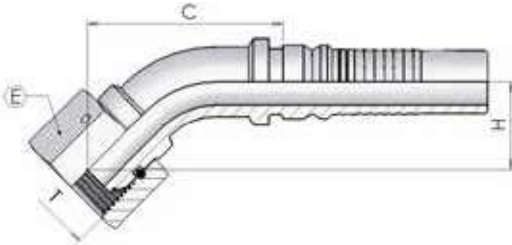
## BSP 90° Swept Elbow 60° cone Thrust Wire



Part number	Hose I.D.	Dimensions		
		dash size	Hex E	Cut-Off C
	in			
0150H12-12	3/4	12	32	54
0150H16-16	1	16	38	73
0150H16-20	1	16	50	73
0150H20-20	1.1/4	20	50	93
0150H24-24	1.1/2	24	55	111
0150H32-32	2	32	70	122

# 0250H

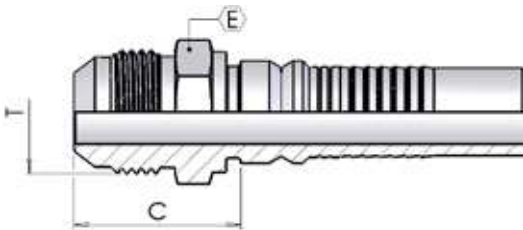
## BSP 45° Swept Elbow 60° cone Thrust Wire



Part number	Hose I.D.	Dimensions		
		dash size	Hex E	Cut-Off C
	in			
0250H12-12	3/4	12	32	84
0250H16-16	1	16	38	112
0250H20-20	1.1/4	20	50	137
0250H24-24	1.1/2	24	55	166
0250H32-32	2	32	70	195

# 0850H

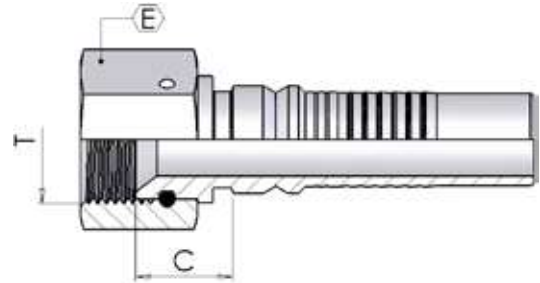
## JIC Male 74° cone



Part number	Hose I.D.	Dimensions		
		dash size	Hex E	Cut-Off C
	in			
0850H12-12	3/4	12	27	36
0850H16-16	1	16	34	40
0850H20-20	1.1/4	20	42	44
0850H24-24	1.1/2	24	50	49
0850H32-32	2	32	65	61

# 0900H

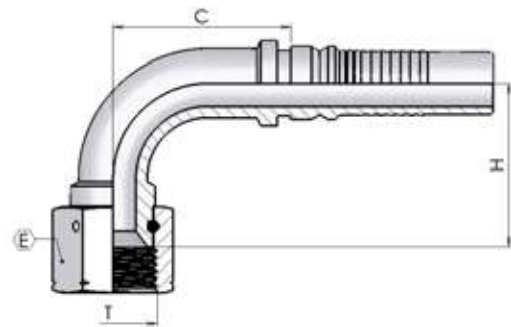
## JIC Female 74° cone Thrust Wire Nut



Part number	Hose I.D.	Dimensions		
		dash size	Hex E	Cut-Off C
	in			
0900H12-12	3/4	12	32	19
0900H12-16	3/4	12	41	22
0900H16-16	1	16	41	23
0900H20-20	1.1/4	20	50	26
0900H24-24	1.1/2	24	55	29
0900H32-32	2	32	70	30

# 0950H

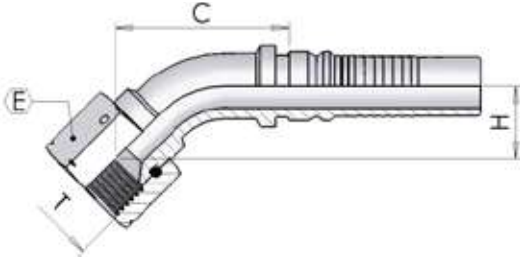
## JIC 90° Swept Elbow 74° cone Thrust Wire



Part number	Hose I.D.	Dimensions		
		dash size	Hex E	Cut-Off C
	in			
0950H12-12	3/4	12	32	54
0950H12-16	3/4	12	41	54
0950H16-16	1	16	41	77
0950H20-20	1.1/4	20	50	92
0950H24-24	1.1/2	24	55	112
0950H32-32	2	32	70	121

# 1000H

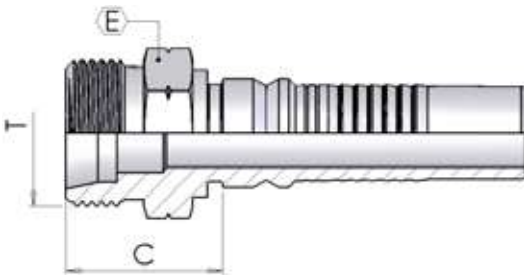
## JIC 45° Swept Elbow 74° cone Thrust Wire



Part number	Hose I.D.	Dimensions		
		dash size	Hex E	Cut-Off C
1000H12-12	3/4	12	32	85
1000H12-16	3/4	12	41	88
1000H16-16	1	16	41	113
1000H20-20	1.1/4	20	50	133
1000H24-24	1.1/2	24	55	165
1000H32-32	2	32	70	194

# 0450H

## Metric Male 24° Seat Heavy

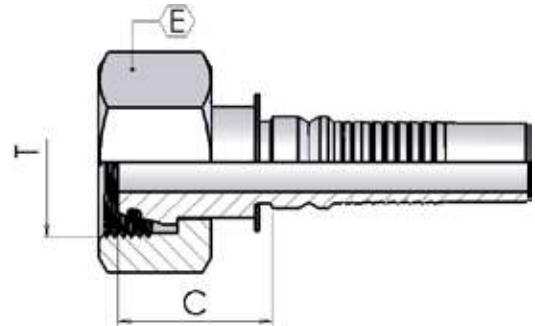


Part number	Hose I.D.	Dimensions			
		dash size	Erm	Hex E	Cut-Off C
0450H12-36	3/4	12	25	36	36
0450H16-42	1	16	30	46	39
0450H20-52	1.1/4	20	38	55	42
0450H24-52	1.1/2	24	38	55	42.5



# 0084H

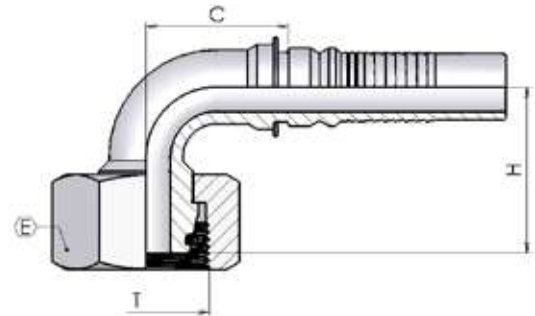
## Metric Female 24° Seat Heavy



Part number	Hose I.D.	Dimensions			
		dash		Hex	Cut-Off
	in	size	Erm	E	C
0084H12-36	3/4	12	25	46	37
0084H16-36	1	16	25	46	38
0084H16-42	1	16	30	50	41
0084H20-52	1.1/4	20	38	60	41
0084H24-52	1.1/2	24	38	60	42

# 0184H

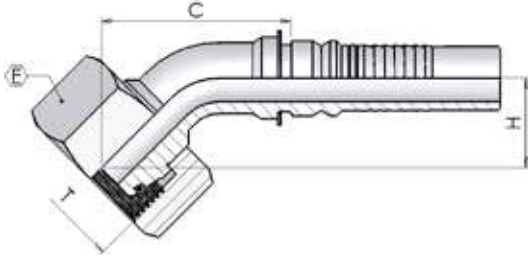
## 90° Metric Swept Elbow 24° Seat Heavy



Part number	Hose I.D.	Dimensions			
		dash		Hex	Cut-Off
	in	size	Erm	E	C
0184H12-36	3/4	12	25	46	55
0184H16-36	1	16	25	46	75
0184H16-42	1	16	30	50	74
0184H20-52	1.1/4	20	38	60	94

# 0284H

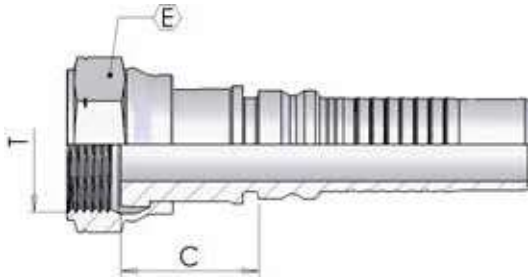
## 45° Metric Swept Elbow 24° Seat Heavy



Part number	Hose I.D.	Dimensions			
		dash size	Erm	Hex E	Cut-Off C
0284H12-36	3/4	12	25	46	94
0284H16-36	1	16	25	46	110
0284H16-42	1	16	30	50	112
0284H20-52	1.1/4	20	38	60	93

# S050H

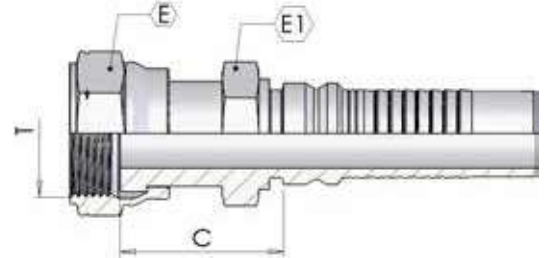
## ORFS Female



Part number	Hose I.D.	Dimensions		
		dash size	Hex E	Cut-Off C
S050H12-14	3/4	12	36	33
S050H16-15	1	16	41	37
S050H16-21	1	16	50	35.5
S050H20-21	1.1/4	20	50	37
S050H20-32	1.1/4	20	60	36.7
S050H24-32	1.1/2	24	60	41

# S05TH

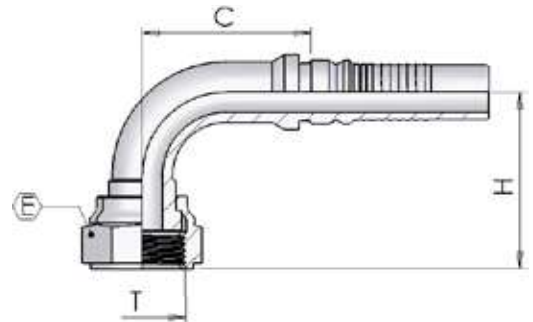
## ORFS Female Back Hexagon



Part number	Hose I.D.	Dimensions			
		dash size	Hex E	Cut-Off C	E1
S05TH12-14	3/4	12	36	39	30
S05TH16-15	1	16	41	47	36
S05TH20-21	1.1/4	20	50	50	46

# S150H

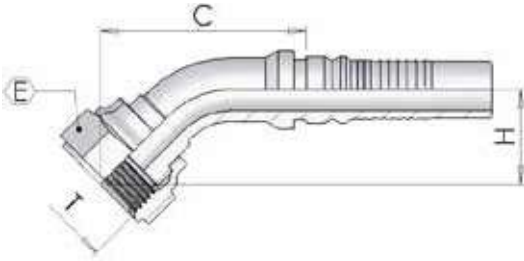
## ORFS 90° Swept Elbow



Part number	Hose I.D.	Dimensions		
		dash size	Hex E	Cut-Off C
S150H12-14	3/4	12	36	54
S150H16-15	1	16	41	69
S150H20-21	1.1/4	20	50	87
S150H24-32	1.1/2	24	60	111

# S250H

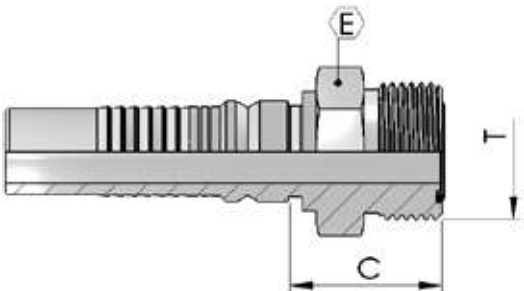
## ORFS 45° Swept Elbow



Part number	Hose I.D.	Dimensions		
		dash size	Hex E	Cut-Off C
S250H12-14	3/4	12	36	84
S250H16-15	1	16	41	107
S250H20-21	1.1/4	20	50	130
S250H24-32	1.1/2	24	60	165

# S350H

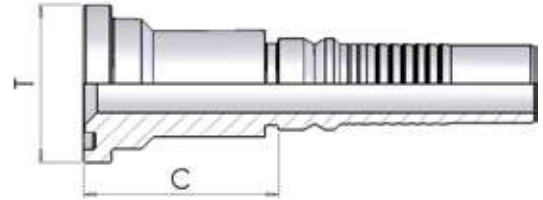
## ORFS Male



Part number	Hose I.D.	Dimensions		
		dash size	Hex E	Cut-Off C
S350H12-14	3/4	12	32	34
S350H16-15	1	16	38	35
S350H20-21	1.1/4	20	46	36

# 1250H

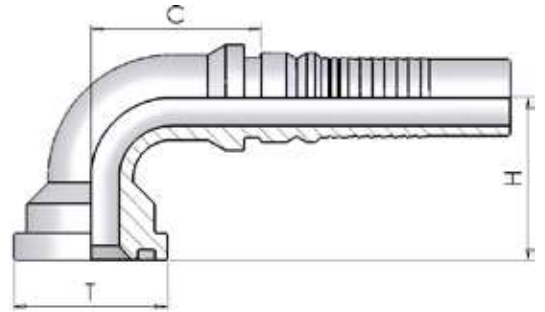
## Straight SAE Flange 3000 PSI



Part number	Hose I.D.	Dimensions			
		dash size	Flange		Cut-Off C
			T	mm	
1250H12-12	3/4	12	3/4	38.1	47
1250H12-16	3/4	12	1	44.5	50
1250H16-16	1	16	1	44.5	52
1250H16-20	1	16	1.1/4	50.8	55
1250H20-20	1.1/4	20	1.1/4	50.8	56
1250H20-24	1.1/4	20	1.1/2	60.3	59
1250H24-24	1.1/2	24	1.1/2	60.3	60
1250H24-32	1.1/2	24	2	71.4	65
1250H32-32	2	32	2	71.4	67

# 1050H

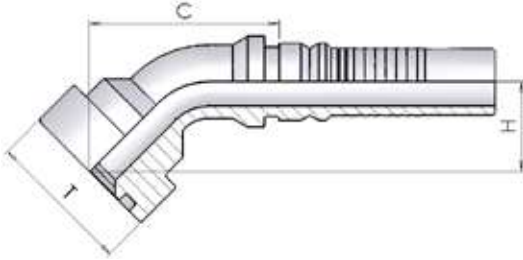
## 90° SAE Flange 3000 PSI



Part number	Hose I.D.	Dimensions			
		dash size	Flange		Cut-Off C
			T	mm	
	in				
1050H12-12	3/4	12	3/4	38.1	52
1050H12-16	3/4	12	1	44.5	55
1050H16-16	1	16	1	44.5	73
1050H16-20	1	16	1.1/4	50.8	69
1050H20-20	1.1/4	20	1.1/4	50.8	93
1050H20-24	1.1/4	20	1.1/2	60.3	97
1050H24-24	1.1/2	24	1.1/2	60.3	100
1050H24-32	1.1/2	24	2	71.4	134
1050H32-32	2	32	2	71.4	122

# 1150H

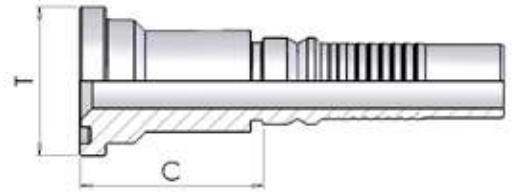
## 45° SAE Flange 3000 PSI



Part number	Hose I.D.	Dimensions			
		dash size	Flange		Cut-Off C
			T	mm	
1150H12-12	3/4	12	3/4	38.1	81
1150H12-16	3/4	12	1	44.5	86
1150H16-16	1	16	1	44.5	107
1150H16-20	1	16	1.1/4	50.8	113
1150H20-20	1.1/4	20	1.1/4	50.8	136
1150H20-24	1.1/4	20	1.1/2	60.3	136
1150H24-24	1.1/2	24	1.1/2	60.3	159
1150H24-32	1.1/2	24	2	71.4	159
1150H32-32	2	32	2	71.4	182

# 1300H

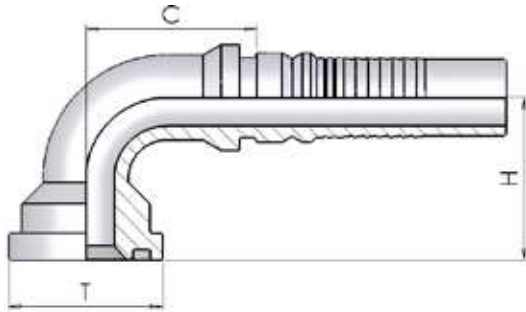
## Straight SAE Flange 6000 PSI



Part number	Hose I.D.	Dimensions			
		dash size	Flange		Cut-Off C
			T	mm	
	in				
1300H12-12	3/4	12	3/4	41.3	51
1300H12-16	3/4	12	1	47.6	57
1300H16-12	1	16	3/4	41.3	52
1300H16-16	1	16	1	47.6	59
1300H16-20	1	16	1.1/4	54	66
1300H20-16	1.1/4	20	1	47.6	60
1300H20-20	1.1/4	20	1.1/4	54	67
1300H20-24	1.1/4	20	1.1/2	63.5	73
1300H24-20	1.1/2	24	1.1/4	54	75
1300H24-24	1.1/2	24	1.1/2	63.5	74
1300H24-32	1.1/2	24	2	79.4	82
1300H32-32	2	32	2	79.4	84



# 1100H

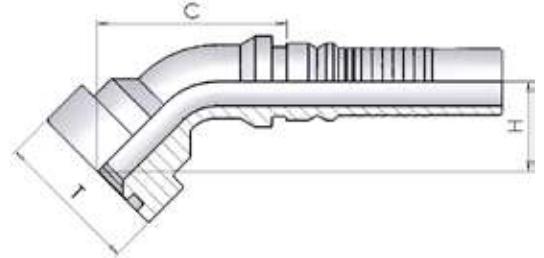


## 90° SAE Flange 6000 PSI

Part number	Hose I.D.	Dimensions			
		dash size	Flange		Cut-Off C
			T	mm	
	in				
1100H12-12	3/4	12	3/4	41.3	53
1100H12-16	3/4	12	1	47.6	52
1100H16-12	1	16	3/4	41.3	73
1100H16-16	1	16	1	47.6	74
1100H16-20	1	16	1.1/4	54	73
1100H20-16	1.1/4	20	1	47.6	93
1100H20-20	1.1/4	20	1.1/4	54	93
1100H20-24	1.1/4	20	1.1/2	63.5	98
1100H24-24	1.1/2	24	1.1/2	63.5	114
1100H24-32	1.1/2	24	2	79.4	115
1100H32-32	2	32	2	79.4	124

# 1200H

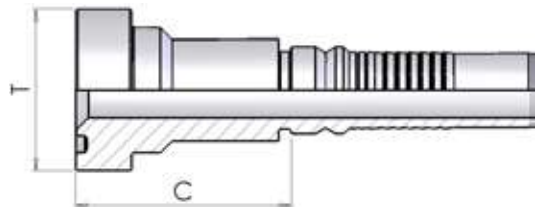
## 45° SAE Flange 6000 PSI



Part number	Hose I.D.	Dimensions			
		dash	Flange		Cut-Off
			size	T	
1200H12-12	3/4	12	3/4	41.3	85
1200H12-16	3/4	12	1	47.6	88
1200H16-12	1	16	3/4	41.3	107
1200H16-16	1	16	1	47.6	112
1200H16-20	1	16	1.1/4	54	117
1200H20-16	1.1/4	20	1	47.6	117
1200H20-20	1.1/4	20	1.1/4	54	139
1200H20-24	1.1/4	20	1.1/2	63.5	144
1200H24-24	1.1/2	24	1.1/2	63.5	167
1200H24-32	1.1/2	24	2	79.4	166
1200H32-32	2	32	2	79.4	200

# 130SH

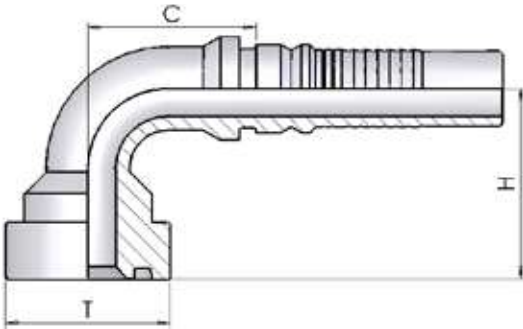
## Straight 'CAT' Flange



Part number	Hose I.D.	Dimensions			
		dash	Flange		Cut-Off
			size	T	
130SH12-12	3/4	12	3/4	41.3	55
130SH12-16	3/4	12	1	47.6	62
130SH16-16	1	16	1	47.6	63
130SH16-20	1	16	1.1/4	54	70
130SH20-20	1.1/4	20	1.1/4	54	71
130SH24-24	1,1/2	24	1.1/2	64	78

# 110SH

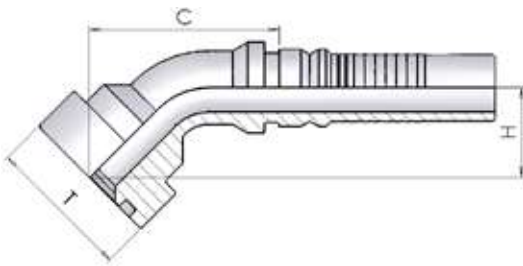
## 90° 'CAT' Flange



Part number	Hose I.D.	Dimensions			
		dash size	Flange		Cut-Off C
			T	mm	
110SH12-12	3/4	12	3/4	41.3	51
110SH16-16	1	16	1	47.6	73.2
110SH16-20	1	16	1.1/4	54	74
110SH20-20	1.1/4	20	1.1/4	54	93
110SH24-24	1,1/2	24	1.1/2	63.5	115

# 120SH

## 45° 'CAT' Flange



Part number	Hose I.D.	Dimensions			
		dash size	Flange		Cut-Off C
			T	mm	
120SH12-12	3/4	12	3/4	41.3	89
120SH16-16	1	16	1	47.6	115
120SH20-20	1.1/4	20	1.1/4	54	142
120SH24-24	1,1/2	24	1.1/2	63.5	169