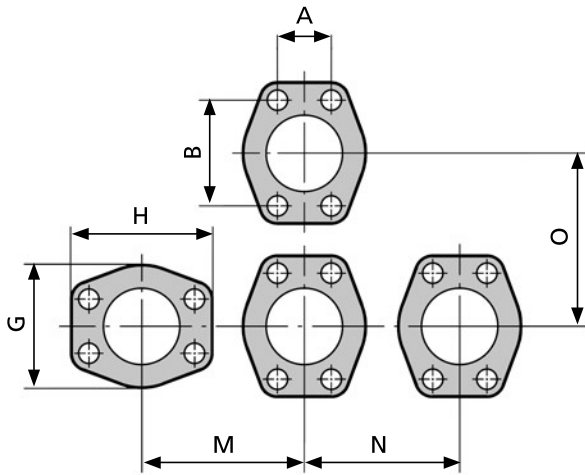


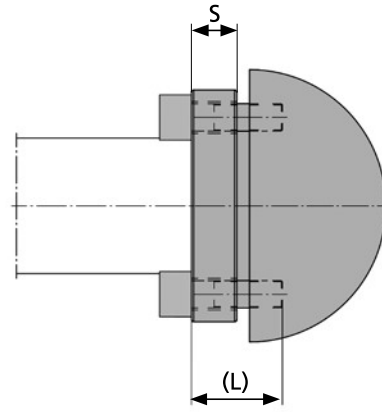
Flange dimensions.....	12
Retain ring flange	13
Flare flange.....	14
Counter flange	15
Flare flange connection – Type A.....	16
Flare flange connection – Type B	17
Flare flange connection – Type D.....	18
Flange for welding – Type A.....	19
Flange for welding – Type B	20
Female thread flange, BSP.....	21
Male thread flange, BSP	22
Tee flange	23
Tee block	24
Blind flange	25
Flange bend.....	26
Elbow block	27
Reducer flange	28
Reducer block	29
Bulkhead flange.....	30
Retain ring.....	31
O-rings	32

Flange dimensions

Drilled to ISO 6162-1 (SAE J 518 Code 61)

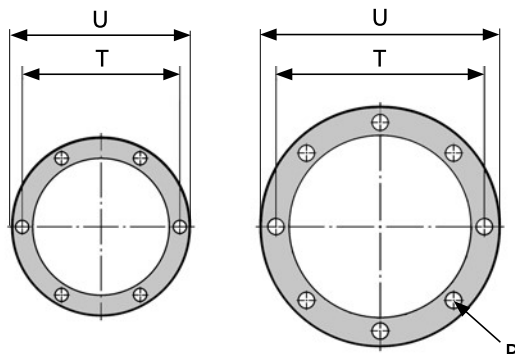


124–180

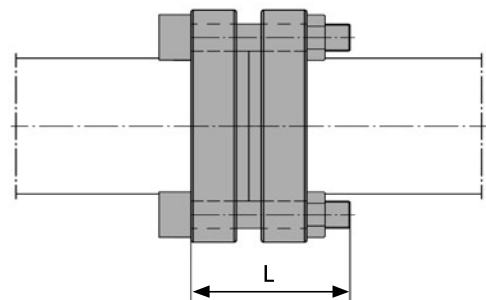


Flange to block

Port dimensions for flange connections according to ISO 6162-1.



196–292



Flange to flange

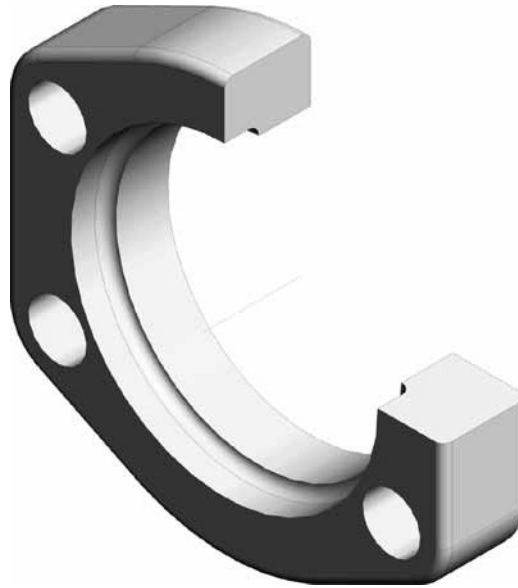
Size	GS-flange type	A	B	G	H	M	N	O	P	T	U	S	Bolt L DIN 912, 8.8	W.P. [bar]
1 1/2"	124	35.7	69.9	83	94	93	87	99	4			20	M12x70(40)	50
2"	132	42.9	77.8	97	102	104	102	107	4			20	M12x70(40)	50
2 1/2"	140	50.8	88.9	109	114	117	114	120	4			20	M12x70(40)	50
3"	148	61.9	106.4	131	135	138	136	141	4			25	M16x80(50)	50
4"	164	77.8	130.2	152	162	162	157	168	4			30	M16x90(50)	50
5"	180	92.1	152.4	180	184	188	186	190	4			40	M16x120(60)	50
6"	196								6	208	236	40	M16x110(60)	50
8"	228								8	275	317	40	M20x120(70)	50
10"	260								8	345	410	50	M20x140(80)	50
12"	292								12	400	470	65	M24x180(110)	50

Manufacturing tolerance for flange thickness (S) ±5%.

L= flange to flange
(L)= flange to block

Retain ring flange

Drilled to ISO 6162-1 (SAE J 518 Code 61)



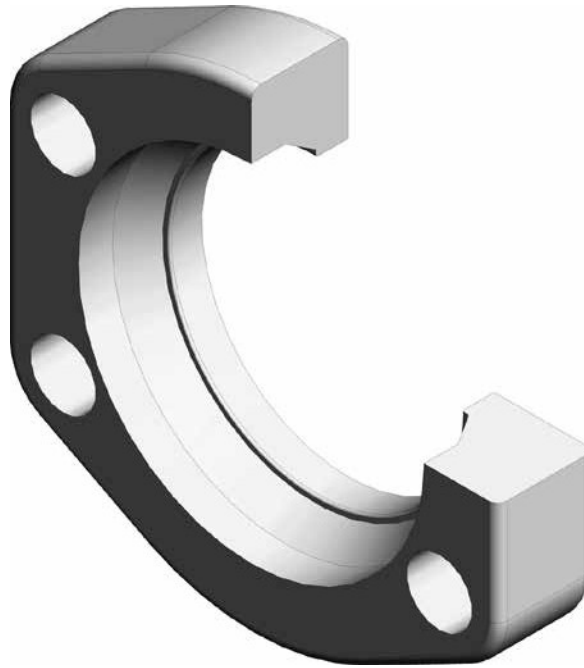
SAE 50 BAR

Size	Standard Part No	Standard ID Code	HDG Part No	HDG ID Code	SS Part No	SS ID Code	W.P. [bar]	Weight [kg]
1 1/2"	124	1101000100	124HDG	1111009000	124SS	1201000100	50	0.43
2"	132	1101030000	132HDG	1111039000	132SS	1201030000	50	0.59
2 1/2"	140	1101060000	140HDG	1111069000	140SS	1201060000	50	0.71
3"	148	1101090000	148HDG	1111099000	148SS	1201090000	50	1.12
4"	164	1101150000	164HDG	1111159000	164SS	1201150000	50	1.53
5"	180	1101180000	180HDG	1111189000	180SS	1201156000	50	2.63
6"	196	1101210000	196HDG	1111219000	196SS	1201210000	50	4.39
8"	228	1101240000	228HDG	1111220100	228SS	1201240000	50	8.98
10"	260	1101270000	260HDG	1111220300	260SS	1201270000	50	23.4

Material possibilities:
 Standard= carbon steel, zinc plated
 -HDG= carbon steel, hot dip galvanized
 -SS= stainless steel
 Other materials on request.

Flare flange

Drilled to ISO 6162-1 (SAE J 518 Code 61)

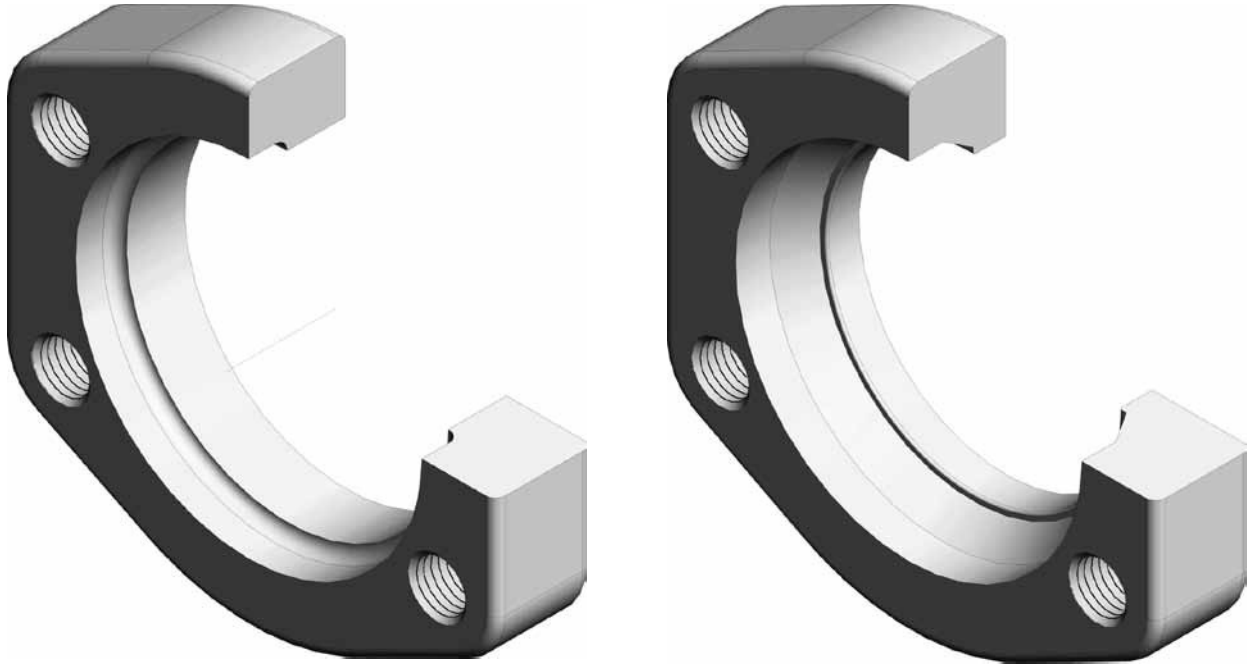


Size	Pipe O.D. [mm]	Standard Part No	Standard ID Code	HDG Part No	HDG ID Code	SS Part No	SS ID Code	W.P. [bar]	Weight [kg]
1 1/2"	50	124F	1101003000	124FHDG	1111006000	124FSS	1201003000	50	0.43
2"	60	132F	1101033000	132FHDG	1111036000	132FSS	1201033000	50	0.59
2 1/2"	73	140F	1101065000	140FHDG	1111066500	140FSS	1201064000	50	0.71
3"	90	148F	1101093000	148FHDG	1111096000	148FSS	1201093000	50	1.12
4"	115	164F	1101153000	164FHDG	1111156000	164FSS	1201153000	50	1.53
5"	140	180F	1101183000	180FHDG	1111186000	180FSS	1201183000	50	2.63
6"	165	196F	1101213000	196FHDG	1111216000	196FSS	1201213000	50	4.39
8"	220	228F	1101243000	228FHDG	1111220000	228FSS	1201243000	50	8.98
10"	273	260F	1101273000	260FHDG	1111220200	260FSS	1201273000	50	23.4
12"	323.9	292F	1101283020	292FHDG	1111220420	292FSS	1201273570	50	40.2

Material possibilities:
 Standard= carbon steel, zinc plated
 -HDG= carbon steel, hot dip galvanized
 -SS= stainless steel
 Other materials on request.

Counter flange

Drilled to ISO 6162-1 (SAE J 518 Code 61)



SAE 50 BAR

Retain ring flange

Size	Part No	ID Code	Bolt	Weight [kg]
1 1/2"	124/M12	1101001000	M12x40	0.43
2"	132/M12	1101031000	M12x40	0.59
2 1/2"	140/M12	1101061000	M12x40	0.71
3"	148/M16	1101091000	M16x50	1.12

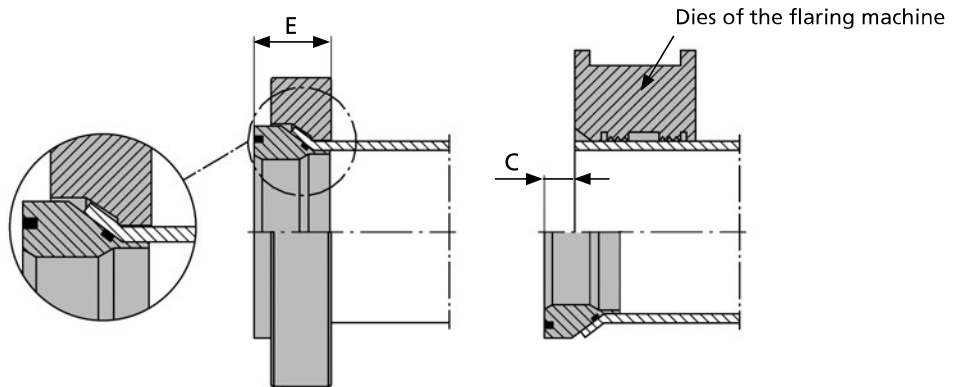
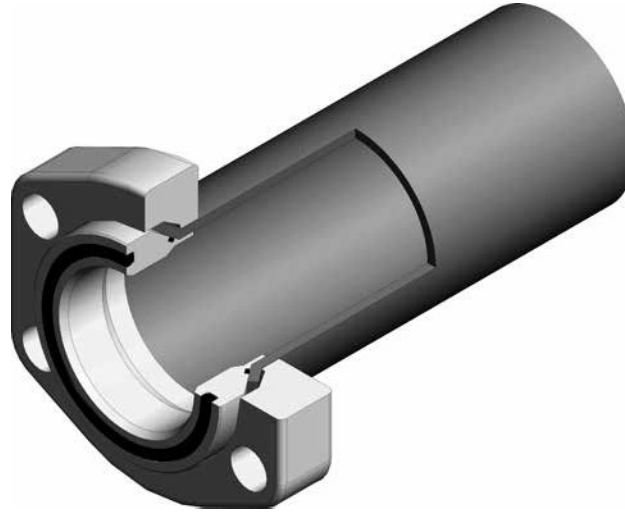
Flare flange

Size	Part No	ID Code	Bolt	Weight [kg]
1 1/2"	124F/M12	1101004000	M12x40	0.43
2"	132F/M12	1101034000	M12x40	0.59
2 1/2"	140F/M12	1101064000	M12x40	0.71
3"	148F/M16	1101094000	M16x50	1.12

Material possibilities:
 Standard= carbon steel, zinc plated
 -HDG= carbon steel, hot dip galvanized
 -SS= stainless steel
 Other materials on request.

Flare flange connection – Type A

Drilled to ISO 6162-1 (SAE J 518 Code 61)



Complete Part No example:
124/50X3FA includes:
 124F 1 pc
 24/50X3FA 1 pc
 OR47.22X3.53 1 pc
 OR41X1.78 1 pc

Size	Pipe Size	Complete Part No	Complete ID Code	C	E	Weight [kg]	Insert Part No	Insert ID Code	O-Ring Part No	O-Ring 2 Part No
1 1/2"	50x3	124/50X3FA	1402200000	13	28	0.68	24/50X3FA*	1401038880	OR47.22X3.53	OR41X1.78
2"	60x3	132/60X3FA	1402201000	13	27	0.91	32/60X3FA*	1401041880	OR56.75X3.53	OR52.5X1.78
2 1/2"	73x3	140/73X3FA	1402201500	12	25	1.00	40/73X3FA*	1401045402	OR69.44X3.53	OR66.4X1.78
3"	90x3.5	148/90X3.5FA	1402203000	16	30	1.59	48/90X3.5FA*	1401048500	OR85.32X3.53	OR82.27X1.78
4"	115x4	164/115X4FA	1402205000	16	36	2.46	L64/115X4FA	1402014000	OR110.72X3.53	OR107.67X1.78
5"	140x4.5	180/140X4.5FA	1402206000	17	47	3.90	L80/140X4.5FA	1402016500	OR136.12X3.53	OR126.67X2.62
6"	165x5	196/165X5FA	1402207000	16	42	6.55	L96/165X5FA	1402018000	OR158.34X3.53	OR152.07X2.62
8"	220x6	228/220X6FA	1402208000	20	48	12.7	L28/220X6FA	1402004000	OR219.3X5.7	OR209.22X2.62
10"	273x6	260/273X6FA	1402209000	18	58	26.1	L60/273X6FA	1402012000	OR269.3X5.7	OR247.32X2.62
12"	323.9x7.1	292/323.9X7.1FA	1402209800	24	77	45.7	L92/323.9X7.1FA	1402017500	OR319.3X5.7	OR304.39X3.53

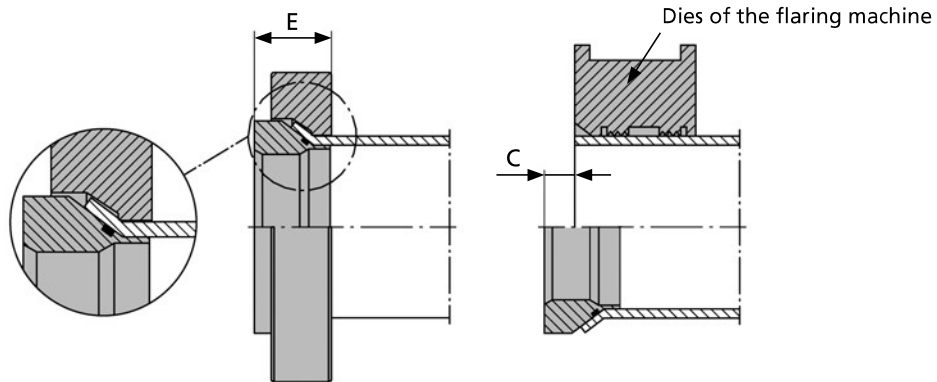
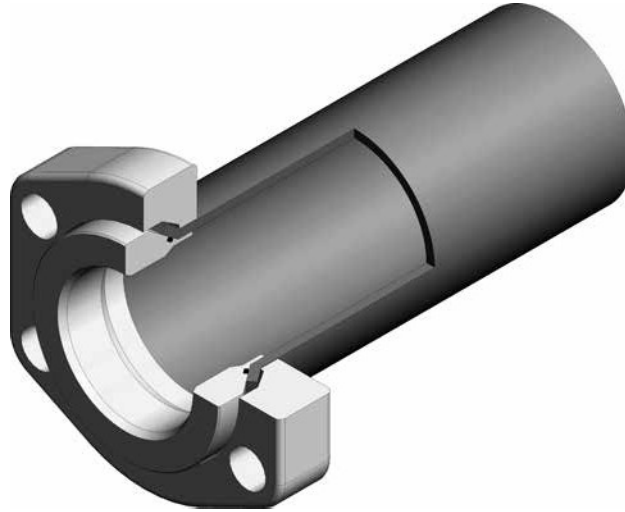
Material possibilities page 168.
 Please check the working pressure rating of the pipe.
 Flare flange connection components for ANSI 36.10/36.19 pipes are available by request.
 Please contact your local GSH dealer.

*) Insert cone could also be used in high pressure connection

Flanges page 14
 O-rings page 32

Flare flange connection – Type B

Drilled to ISO 6162-1 (SAE J 518 Code 61)



Complete Part No example:
124/50X3FB includes:
 124F 1 pc
 24/50X3FB 1 pc
 OR41X1.78 1 pc

Size	Pipe Size*	Complete Part No	Complete ID Code	C	E	Weight [kg]	Insert Part No	Insert ID Code	O-Ring 2 Part No
1 1/2"	50x3	124/50X3FB	1402200100	13	28	0.68	24/50X3FB*	1401038890	OR41X1.78
2"	60x3	132/60X3FB	1402201100	13	27	0.91	32/60X3FB*	1401041890	OR52.5X1.78
2 1/2"	73x3	140/73X3FB	1402201600	12	25	1.00	40/73X3FB*	1401045403	OR66.4X1.78
3"	90x3.5	148/90X3.5FB	1402203200	16	30	1.59	48/90X3.5FB*	1401048510	OR82.27X1.78
4"	115x4	164/115X4FB	1402205100	16	36	2.46	L64/115X4FB	1402014100	OR107.67X1.78
5"	140x4.5	180/140X4.5FB	1402206100	17	47	3.90	L80/140X4.5FB	1402016600	OR126.67X2.62
6"	165x5	196/165X5FB	1402207100	16	42	6.55	L96/165X5FB	1402018100	OR152.07X2.62
8"	220x6	228/220X6FB	1402208100	20	48	12.7	L28/220X6FB	1402004100	OR209.22X2.62
10"	273x6	260/273X6FB	1402209100	18	58	26.1	L60/273X6FB	1402012100	OR247.32X2.62
12"	323.9x7.1	292/323.9X7.1FB	1402209820	24	77	45.8	L92/323.9X7.1FB	1402017510	OR304.39X3.53

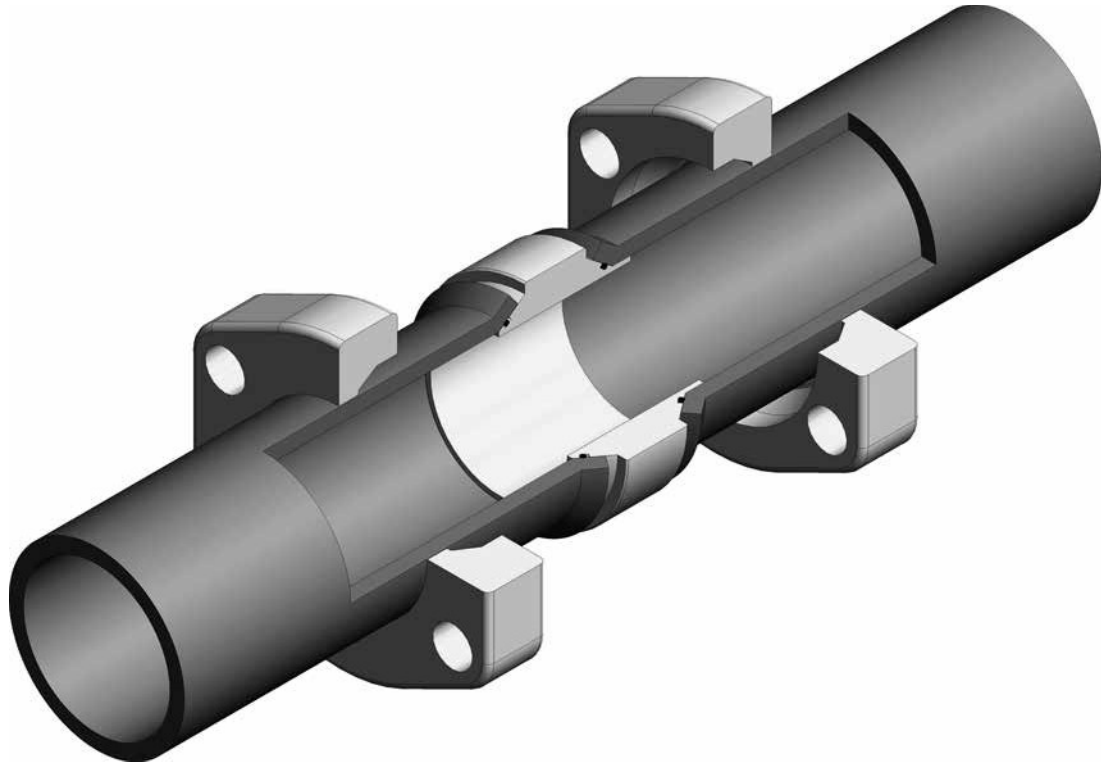
Material possibilities page 168.
 Please check the working pressure rating of the pipe.
 Flare flange connection components for ANSI 36.10/36.19 pipes are available by request.
 Please contact your local GSH dealer.

*) Insert cone could also be used in high pressure connection

Flanges page 14
 O-rings page 32

Flare flange connection – Type D

Drilled to ISO 6162-1 (SAE J 518 Code 61)



Complete Part No example:
124/50X3FD includes:
 124F 2 pcs
 24/50X3FD 1 pc
 OR41X1.78 2 pcs

Size	Pipe Size*	Complete Part No	Complete ID Code	Weight [kg]	Insert Part No	Insert ID Code	O-Ring 2 Part No
1 1/2"	50x3	124/50X3FD	1402200200	1.40	24/50X3FD*	1401038910	OR41X1.78
2"	60x3	132/60X3FD	1402201200	1.73	32/60X3FD*	1401041910	OR52.5X1.78
2 1/2"	73x3	140/73X3FD	1402201800	1.98	40/73X3FD*	1401045410	OR66.4X1.78
3"	90x3.5	148/90X3.5FD	1402203400	3.22	48/90X3.5FD*	1401048530	OR82.27X1.78
4"	115x4	164/115X4FD	1402205200	5.02	L64/115X4FD	1402014300	OR107.67X1.78
5"	140x4.5	180/140X4.5FD	1402206200	7.86	L80/140X4.5FD	1402016700	OR126.67X2.62
6"	165x5	196/165X5FD	1402207300	13.5	L96/165X5FD	1402018200	OR152.07X2.62
8"	220x6	228/220X6FD	1402208300	25.4	L28/220X6FD	1402004200	OR209.22X2.62
10"	273x6	260/273X6FD	1402209300	54.7	L60/273X6FD	1402012400	OR247.32X2.62
12"	323.9x7.1	292/323.9X7.1FD	1402209840	91.8	L92/323.9X7.1FD	1402017520	OR304.39X3.53

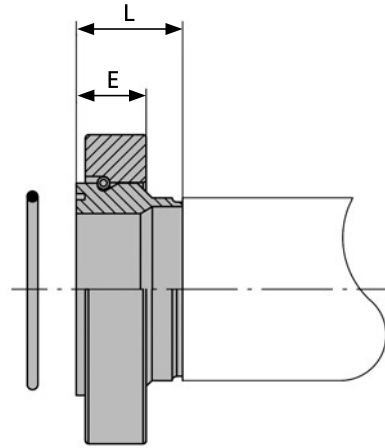
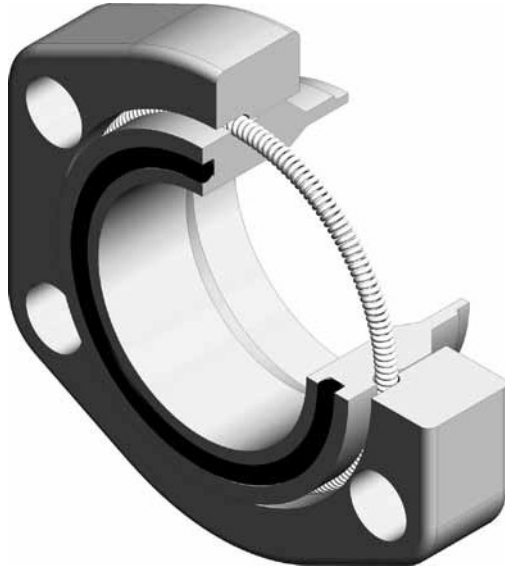
Material possibilities page 168.
 Please check the working pressure rating of the pipe.
 Flare flange connection components for ANSI 36.10/36.19 pipes are available by request.
 Please contact your local GSH dealer.

*) Insert cone could also be used in high pressure connection

Flanges page 14
 O-rings page 32

Flange for welding – Type A

Drilled to ISO 6162-1 (SAE J 518 Code 61)



SAE 50 BAR

Complete Part No example:

124002A includes:

124	1 pc
L24002A	1 pc
L24	1 pc
OR47.22X3.53	1 pc

Size	Pipe Size O.D.xS	Complete Part No	Complete ID Code	L	E	Weight [kg]	Body Part No	Body ID Code	O-ring Part No
1 1/2"	48.3x2.6 (50x3)	124002A	1302500100	35	23	0.75	L24002A	1302000100	OR47.22X3.53
2"	60.3x2.9 (60x3)	132002A	1302501000	35	23	0.95	L32002A	1302004200	OR56.75X3.53
2 1/2"	76.1x3.2 (75x3)	140002A	1302502200	35	23	1.16	L40002A	1302006200	OR69.44X3.53
2 1/2"	73x3	140003A	1302502450	35	23	1.16	L40003A	1302006870	OR69.44X3.53
3"	88.9x3.6 (90x3.5)	148002A	1302503200	40	28	1.80	L48002A	1302008200	OR85.32X3.53
4"	115x4.0	164001A	1302505000	40	33	2.64	L64001A	1302014000	OR110.72X3.53
4"	114.3x4.5	164002A	1302505200	40	33	2.64	L64002A	1302014200	OR110.72X3.53
5"	140x4.5	180001A	1302506000	45	44	4.24	L80001A	1302016000	OR136.12X3.53
5"	139.7x5.6	180002A	1302506200	45	44	4.24	L80002A	1302016200	OR136.12X3.53
6"	165x5.0	196001A	1302507000	50	43	7.01	L96001A	1302018000	OR158.34X3.53
6"	168.3x7.1	196002A	1302507200	50	43	7.01	L96002A	1302018200	OR158.34X3.53
8"	219.1x6.3 (220x6)	228001A	1302508000	60	46	13.5	L28001A	1302002000	OR219.3X5.7
8"	219.1x8.0	228002A	1302508200	60	46	13.5	L28002A	1302002200	OR219.3X5.7
10"	273x6.0*	260001A	1302509000	70	56	31.0	L60001A	1302012000	OR269.3X5.7

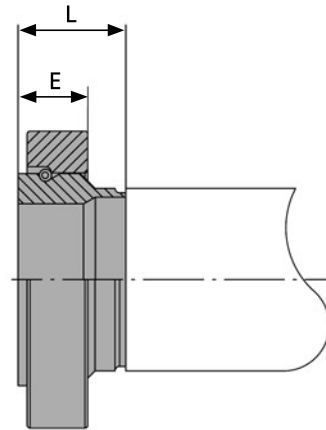
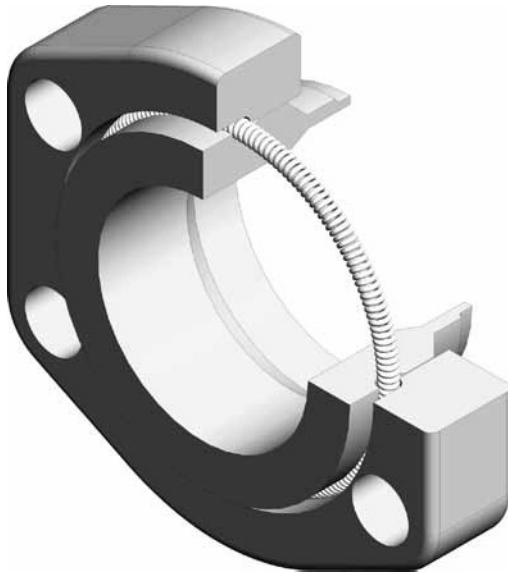
Body material:
 Standard= carbon steel
 Stainless steel= add SS after Part No
 Other materials on request.
 Material possibilities page 168.
 *) Maximum working pressure 49 bar.

Welding hubs for other pipe sizes on request.

Flanges page 13
 Retain rings page 31
 O-rings page 32

Flange for welding – Type B

Drilled to ISO 6162-1 (SAE J 518 Code 61)



Complete Part No example:

124002B includes:
 124 1 pc
 L24002B 1 pc
 L24 1 pc

Size	Pipe Size O.D.xS	Complete Part No	Complete ID Code	L	E	Weight [kg]	Body Part No	Body ID Code
1 1/2"	48.3x2.6 (50x3)	124002B	1302500200	35	23	0.75	L24002B	1302000200
2"	60.3x2.9 (60x3)	132002B	1302501100	35	23	0.95	L32002B	1302004300
2 1/2"	76.1x3.2 (75x3)	140002B	1302502400	35	23	1.16	L40002B	1302006300
2 1/2"	73x3	140003B	1302502460	35	23	1.16	L40003B	1302006880
3"	88.9x3.6 (90x3.5)	148002B	1302503300	40	28	1.80	L48002B	1302008300
4"	115x4.0	164001B	1302505100	40	33	2.64	L64001B	1302014100
4"	114.3x4.5	164002B	1302505300	40	33	2.64	L64002B	1302014300
5"	140x4.5	180001B	1302506100	45	44	4.24	L80001B	1302016100
5"	139.7x5.6	180002B	1302506300	45	44	4.24	L80002B	1302016300
6"	165x5.0	196001B	1302507100	50	43	7.01	L96001B	1302018100
6"	168.3x7.1	196002B	1302507300	50	43	7.01	L96002B	1302018300
8"	219.1x6.3 (220x6)	228001B	1302508100	60	46	13.5	L28001B	1302002100
8"	219.1x8.0	228002B	1302508300	60	46	13.5	L28002B	1302002300
10"	273x6.0*	260001B	1302509200	70	56	31.0	L60001B	1302012100

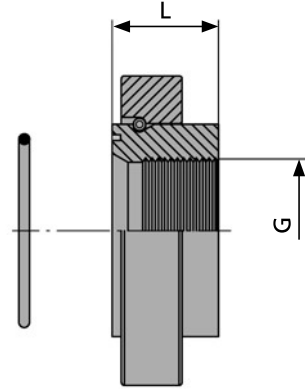
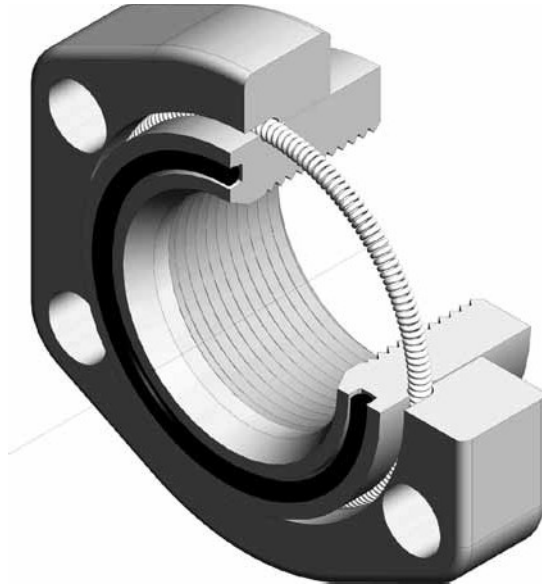
Body material:
 Standard= carbon steel
 Stainless steel= add SS after Part No
 Other materials on request.
 Material possibilities page 168.
 *) Maximum working pressure 49 bar.

Welding hubs for other pipe sizes on request.

Flanges page 13
 Retain rings page 31

Female thread flange, BSPP

Drilled to ISO 6162-1 (SAE J 518 Code 61)



SAE 50 BAR

Complete Part No example:

124013 includes:
 124 1 pc
 L24013 1 pc
 L24 1 pc
 OR47.22X3.53 1 pc

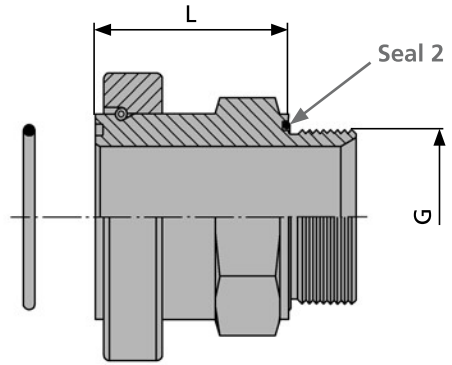
Size	Complete Part No	Complete ID Code	L	G	Weight [kg]	Body Part No	Body ID Code
1 1/2"	124013	1307002000	35	1 1/4"	0.7	L24013	1307100000
2"	132013	1307003000	35	1 1/2"	1.0	L32013	1307101000
2 1/2"	140013	1307004000	35	2"	1.3	L40013	1307102000
3"	148013	1307005000	40	2 1/2"	1.5	L48013	1307103000

Body material:
 Standard= carbon steel, zinc plated
 Stainless steel= add SS after Part No
 Other materials on request.

Flanges page 13
 Retain rings page 31
 O-rings page 32

Male thread flange, BSPP

Drilled to ISO 6162-1 (SAE J 518 Code 61)



Complete Part No example:

124014 includes:
 124 1 pc
 L24014 (Seal2 included) 1 pc
 L24 1 pc
 OR47.22X3.53 1 pc

Size	Complete Part No	Complete ID Code	L	G	Seal 2	A/F	Weight [kg]	Body Part No	Body ID Code
1 1/2"	124014	1305500000	64	1 1/2"	ED R11/2+M82X2 VI	60	1.1	L24014	1305200000
2"	132014	1305502000	66	2"	OR59.99X2.62VI	70	1.2	L32014	1305202000
2 1/2"	140014	1305504000	66	2 1/2"	OR75.87X2.62VI	85	1.5	L40014	1305204000
3"	148014	1305506000	80	3"	OR88.57X2.62VI	100	2.6	L48014	1305206000
4"	164014	1305506400	76	4"	OR117.07X3.53VI	-	4.90	L64014	1305210000

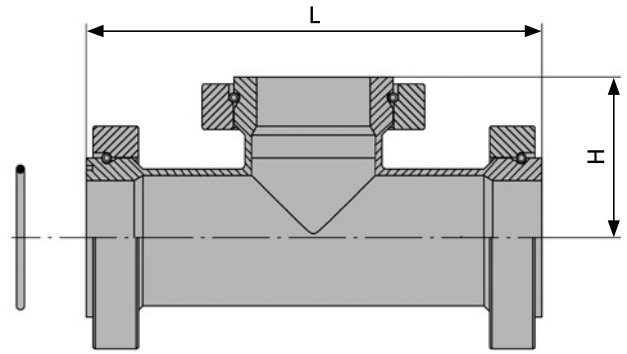
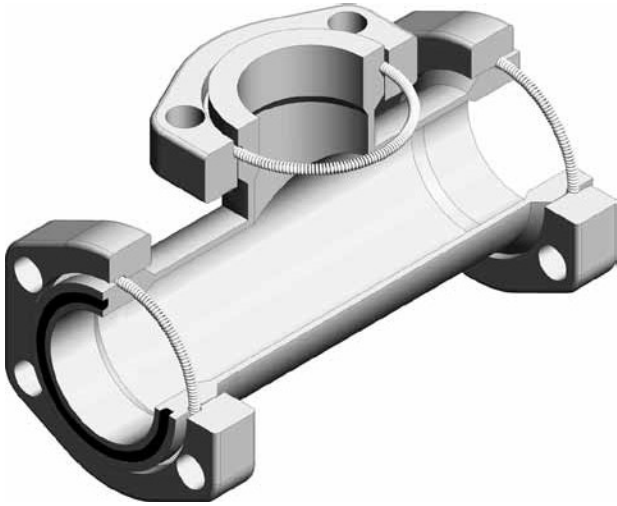
Body material:
 Standard= carbon steel, zinc plated
 Stainless steel= add SS after Part No
 Other materials on request.

Seal 2 material: FPM (Viton®)

Flanges page 13
 Retain rings page 31
 O-rings page 32

Tee flange

Drilled to ISO 6162-1 (SAE J 518 Code 61)



SAE 50 BAR

Please, note maximum working pressure for each component.

Complete Part No example:

124016 includes:

124	3 pcs
L24016	1 pc
L24	3 pcs
OR47.22X3.53	1 pc

Body Size	Outlet Size	Complete Part No	Complete ID Code	W.P.* [bar]	L	H	Weight [kg]	Body Part No	Body ID Code
1 1/2"		124016	1701600100	50	184	92	3.00	L24016	1701500000
2"		132016	1701602000	50	198	99	3.60	L32016	1701504000
2"	1 1/2"	132/124/132016	1701602200	50	198	95	3.40	L32/24/32016	1701504200
2 1/2"		140016	1701605000	25	222	111	4.65	L40016	1701660500
2 1/2"	2"	140/132/140016	1701605400	50	222	105	4.30	L40/32/40016	1701661000
2 1/2"	1 1/2"	140/124/140016	1701605200	50	222	102	4.10	L40/24/40016	1701661500
3"		148016	1701607000	25	252	126	7.65	L48016	1701663000
3"	2 1/2"	148/140/148016	1701607600	25	252	118	66.65	L48/40/48016	1701663500
3"	2"	148/132/148016	1701607400	50	252	111	6.30	L48/32/48016	1701664000
3"	1 1/2"	148/124/148016	1701607200	50	252	108	6.10	L48/24/48016	1701664500
4"		164016	1701611000	25	290	145	10.80	L64016	1701669000
4"	3"	164/148/164016	1701611400	25	290	138	9.75	L64/48/64016	1701670000
4"	2 1/2"	164/140/164016	1701611200	25	290	130	8.75	L64/40/64016	1701670500
5"		180016	1701613000	25	338	169	16.20	L80016	1701672000
5"	4"	180/164/180016	1701613600	25	338	157	14.40	L80/64/80016	1701672500
5"	3"	180/148/180016	1701613200	25	338	151	13.35	L80/48/80016	1701673500
6"		196016	1701615000	25	386	193	21.15	L96016	1701675000
6"	5"	196/180/196016	1701615600	25	386	182	19.50	L96/80/96016	1701675500
6"	4"	196/164/196016	1701615400	25	386	170	17.70	L96/64/96016	1701676000
8"		228016	1701617000	25	476	238	43.50	L28016	1701678000
8"	6"	228/196/228016	1701617600	25	476	218	36.05	L28/96/28016	1701678500
8"	5"	228/180/228016	1701617400	25	476	207	34.40	L28/80/28016	1701679000
8"	4"	228/164/228016	1701617200	25	476	196	32.60	L28/64/28016	1701679500

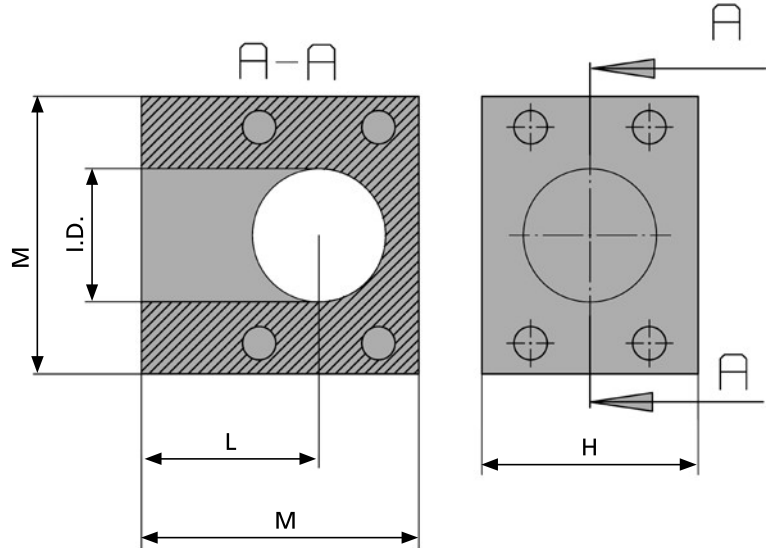
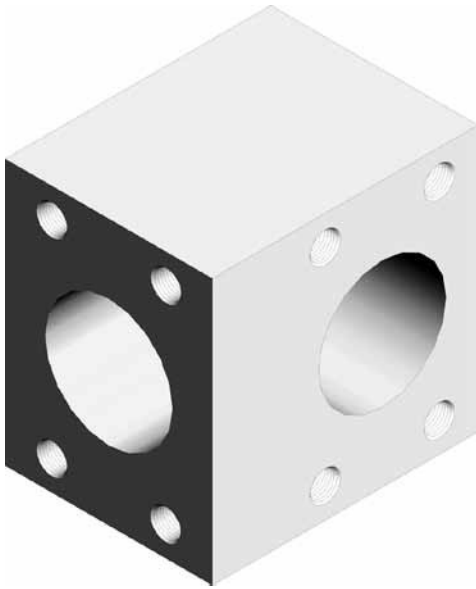
Body material:
 Standard= carbon steel, zinc plated
 Stainless steel= add SS after Part No
 Other materials on request.

*) Tee flanges for W.P. 50 bar,
 please add -50 after Part No.

Flanges page 13
 Retain rings page 31
 O-rings page 32

Tee block

Drilled to ISO 6162-1 (SAE J 518 Code 61)



Size	Part No	ID Code	H	L	M	I.D.	Weight [kg]
1 1/2"	324116	1702008000	68	59	90	38	2.96
1 1/2" – 1 1/4"	324/320/324116	1702008800	68	59	90	38/30/38	3.16
1 1/2" – 1"	324/316/324116	1702008600	68	59	90	38/23/38	3.22
2"	332116	1702010000	78	64	100	48	4.05
2" – 1 1/2"	332/324/332116	1702010600	78	64	100	48/38/48	4.26
2" – 1 1/4"	332/320/332116	1702010400	78	64	100	48/30/48	4.45
2 1/2"	340116	1702012000	88	65	110	60	5.05
2 1/2" – 2"	340/332/340116	1702012400	88	65	110	60/48/60	5.49
2 1/2" – 1 1/2"	340/324/340116	1702012200	88	65	110	60/38/60	5.60
3"	348116	1702014000	110	80	135	72	9.97
3" – 2 1/2"	348/340/348116	1702014400	110	80	135	72/60/72	10.6
3" – 2"	348/332/348116	1702014200	110	80	135	72/48/72	11.1

Component material:
 Standard= carbon steel, zinc plated
 Stainless steel= add SS after Part No
 Other materials on request.
 Tee blocks for 50 bar are the same as SAE 3000 psi.

Blind flange

Drilled to ISO 6162-1 (SAE J 518 Code 61)



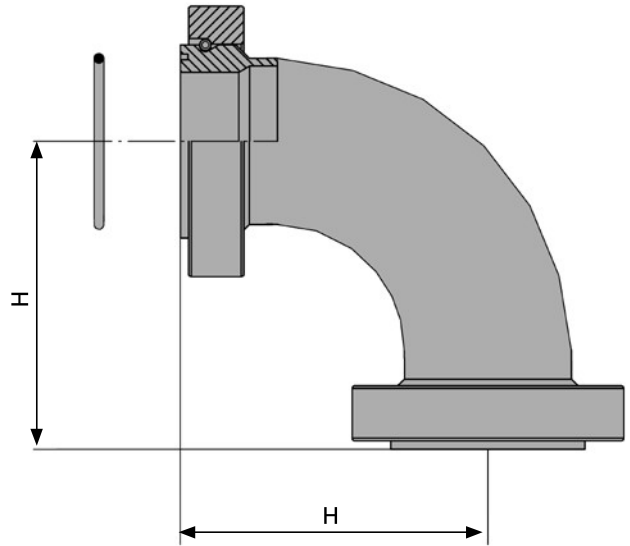
Size	Part No	ID Code	Weight [kg]
1 1/2"	124125	1910500000	0.83
2"	132125	1910500500	1.16
2 1/2"	140125	1910501000	1.50
3"	148125	1910501500	2.54
4"	164125	1910502500	4.48
5"	180125	1910503000	8.11
6"	196125	1910503500	11.5
8"	228125	1910503700	23.8

Component material:
 Standard= carbon steel, zinc plated
 Stainless steel= add SS after Part No
 Other materials on request.
 O-ring, ED-seal and plug included in a Part No

O-rings page 32

Flange bend

Drilled to ISO 6162-1 (SAE J 518 Code 61)



Complete Part No example:

124018 includes:

124	2 pcs
L24018	1 pc
L24	2 pcs
OR47.22X3.53	1 pc

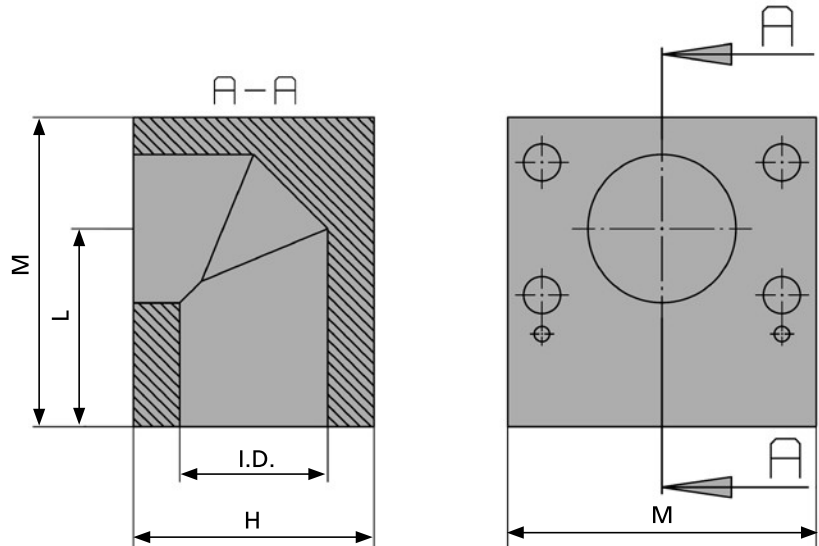
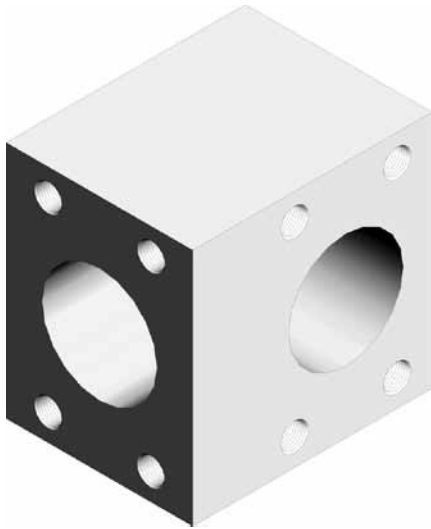
Size	Complete Part No	Complete ID Code	H	Bending Radius	Weight [kg]	Body Part No	Body ID Code
1 1/2"	124018	1605000100	92	57	2.26	L24018	1605050000
2"	132018	1605000500	111	76	2.86	L32018	1605051000
2 1/2"	140018	1605001000	130	95	3.88	L40018	1605051500
3"	148018	1605001500	155	114.5	6.32	L48018	1605052000
4"	164018	1605002500	193	152.5	9.56	L64018	1605053000
5"	180018	1605003000	236	190.5	14.80	L80018	1605053500
6"	196018	1605003500	279	228.5	20.60	L96018	1605054000
8"	228018	1605004000	365	305.0	44.80	L28018	1605050500

Body material:
 Standard= carbon steel, zinc plated
 Stainless steel= add SS after Part No
 Other materials on request.

Flanges page 13
 Retain rings page 31
 O-rings page 32

Elbow block

Drilled to ISO 6162-1 (SAE J 518 Code 61)



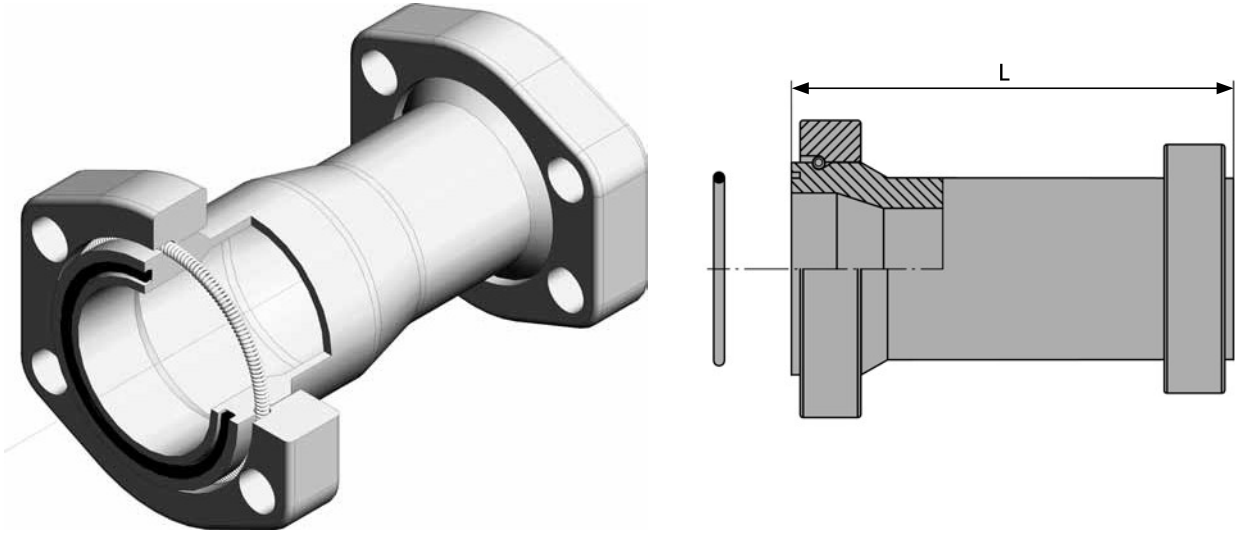
SAE 50 BAR

Size	Part No	ID Code	H	L	M	I.D.	Weight [kg]
1 1/2"	324115	1603002000	68	59	90	38	3.16
2"	332115	1603002500	78	64	100	48	4.31
2 1/2"	340115	1603003000	88	65	110	60	5.45
3"	348115	1603003500	110	80	135	72	11.1

Component material:
 Standard= carbon steel, zinc plated
 Stainless steel= add SS after Part No
 Other materials on request.
 Elbow blocks for 50 bar are the same as SAE 3000 psi.

Reducer flange

Drilled to ISO 6162-1 (SAE J 518 Code 61)



Complete Part No example:

RF132-124 includes:

132	1 pc
124	1 pc
L32-24	1 pc
L32	1 pc
L24	1 pc
OR56.75X3.53	1 pc

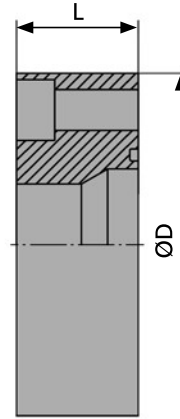
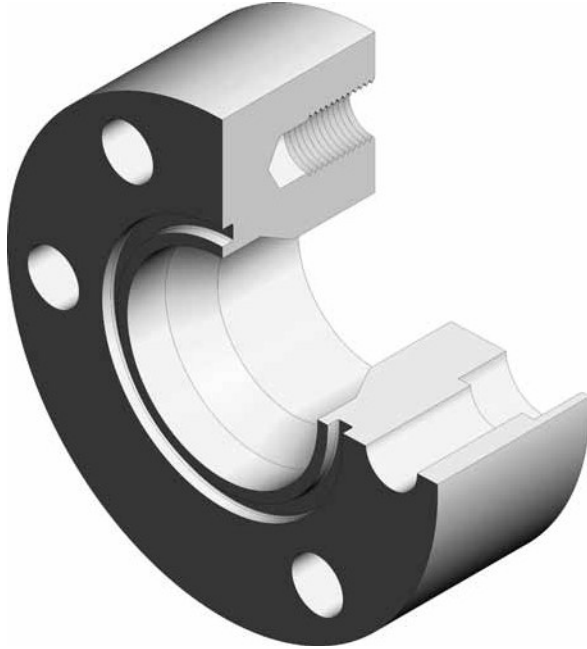
Size	Complete Part No	Complete ID Code	L	Weight [kg]	Body Part No	Body ID Code
2" – 1 1/2"	RF132-124	1501200000	146	2.51	L32-24	1501051000
2 1/2" – 1 1/2"	RF140-124	1501200700	160	3.03	L40-24	1501052000
2 1/2" – 2"	RF140-132	1501201000	160	3.23	L40-32	1501052500
3" – 1 1/2"	RF148-124	1501201500	165	3.85	L48-24	1501052800
3" – 2"	RF148-132	1501201700	165	4.36	L48-32	1501053000
3" – 2 1/2"	RF148-140	1501202000	165	4.71	L48-40	1501053500
4" – 3"	RF164-148	1501203500	180	7.14	L64-48	1501055500
5" – 4"	RF180-164	1501205000	212	10.70	L80-64	1501056500
5" – 3"	RF180-148	1501204300	212	10.20	L80-48	1501055900
6" – 4"	RF196-164	1501205500	230	13.20	L96-64	1501056900
6" – 5"	RF196-180	1501206000	235	15.00	L96-80	1501057000
8" – 5"	RF228-180	1501206500	257	23.10	L28-80	1501050000
8" – 6"	RF228-196	1501207000	262	24.80	L28-96	1501050500

Body material:
 Standard= carbon steel, zinc plated
 Stainless steel= add SS after Part No
 Other materials on request.

Flanges page 13
 Retain rings page 31
 O-rings page 32

Reducer block

Drilled to ISO 6162-1 (SAE J 518 Code 61)



SAE 50 BAR

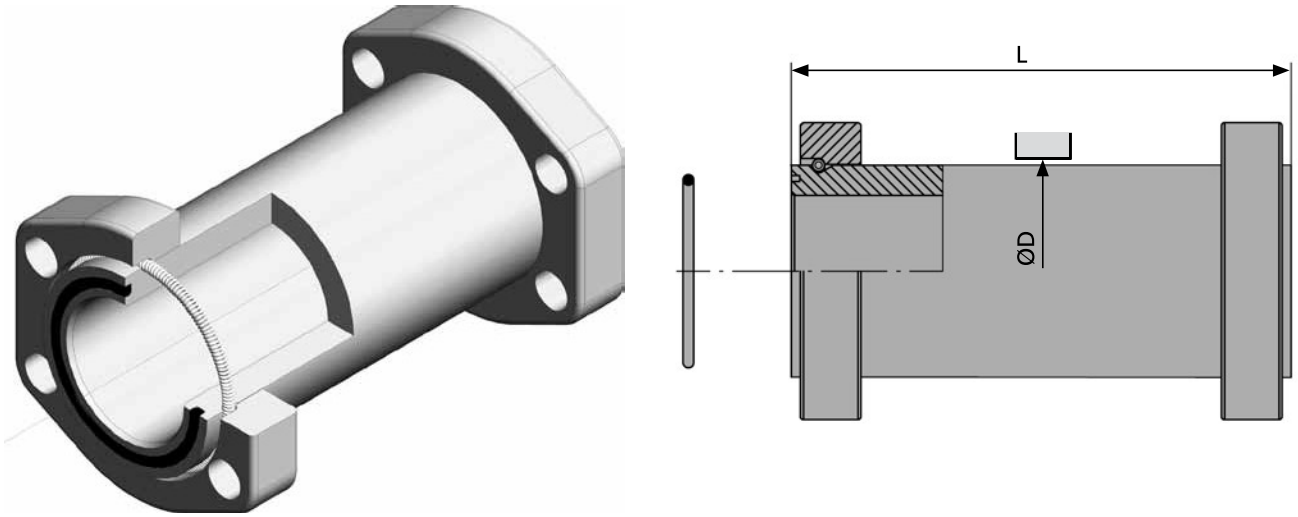
Size	Part No	ID Code	D	L	Bolt size DIN 912, 8.8	Weight [kg]
2" – 1 1/2"	RBE132-124	1502100000	113	40	M12x40	2.43
2 1/2" – 2"	RBE140-132	1502101200	128	40	M12x40	3.06
2 1/2" – 1 1/2"	RBE140-124	1502101000	128	40	M12x40	5.21
3" – 2 1/2"	RBE148-140	1502102400	158	40	M16x40	4.67
3" – 2"	RBE148-132	1502102200	158	40	M16x40	4.89
3" – 1 1/2"	RBE148-124	1502102000	158	40	M16x40	5.30
4" – 3"	RBE164-148	1502104200	185	45	M16x45	6.42
4" – 2 1/2"	RBE164-140	1502104000	185	45	M16x45	6.77
5" – 4"	RBE180-164	1502105400	211	45	M16x45	8.18
5" – 3"	RBE180-148	1502105000	211	45	M16x45	9.37
6" – 5"	RBE196-180	1502106400	242	55	M16x55	12.7
6" – 4"	RBE196-164	1502106200	242	55	M16x55	14.0
8" – 6"	RBE228-196	1502107400	320	50	M20x50	22.1
8" – 5"	RBE228-180	1502107200	320	70	M20x70	33.0
8" – 4"	RBE228-164	1502107000	320	100	M20x100	50.4

Component material:
 Standard= carbon steel, zinc plated
 Stainless steel= add SS after Part No
 Other materials on request.

L= block to block

Bulkhead flange

Drilled to ISO 6162-1 (SAE J 518 Code 61)



Complete Part No example:

124019 includes:

124	2 pcs
L24019	1 pc
L24	2 pcs
OR47.22X3.53	1 pc

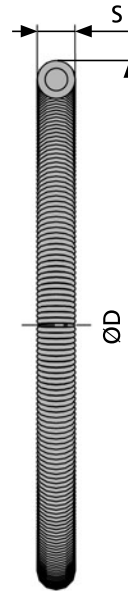
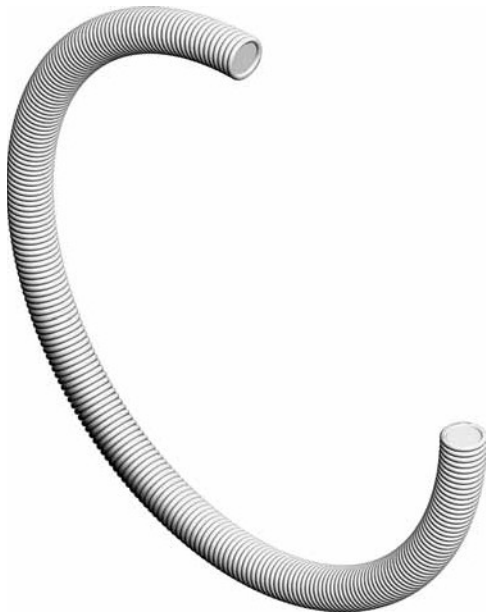
Size	Complete Part No	Complete ID Code	Required bulkhead opening ØD	L	Weight [kg]	Body Part No	Body ID Code
1 1/2"	124019	1904050000	62	165	3.8	L24019	1904001500
2"	132019	1904050500	72	165	4.5	L32019	1904002000
2 1/2"	140019	1904051000	84	175	5.45	L40019	1904002500
3"	148019	1904051500	102	200	7.8	L48019	1904003000
4"	164019	1904052500	128	200	11.7	L64019	1904004000
5"	180019	1904053000	153	200	16.4	L80019	1904004500
6"	196019	1904053500	183	215	22.9	L96019	1904005000
8"	228019	1904054000	243	240	28.0	L28019	1904450500

Body material:
 Standard= carbon steel
 Stainless steel= add SS after Part No
 Other materials on request.

Flanges page 13
 Retain rings page 31
 O-rings page 32

Retain ring

Drilled to ISO 6162-1 (SAE J 518 Code 61)



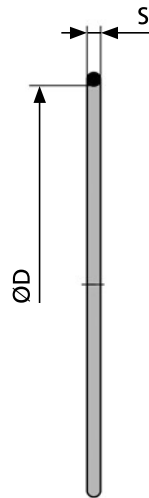
SAE 50 BAR

Size	Part No	ID Code	DxS
1 1/2"	L24	1902050050	64x4
2"	L32	1902052050	74x4
2 1/2"	L40	1902053050	85x4
3"	L48	1902054050	103x5
4"	L64	1902057050	130x5
5"	L80	1902058050	156x6
6"	L96	1902059050	186x6
8"	L28	1902051050	248x8
10"	L60	1902056050	303x8

Component material:
AISI 316, special treated.

O-ring

Drilled to ISO 6162-1 (SAE J 518 Code 61)



O-ring between flange connections

Size	GS Size	Part No	ID Code	DxS
1 1/2"	24	OR47.22X3.53	2701529000	47.22x3.53
2"	32	OR56.75X3.53	2701535000	56.75x3.53
2 1/2"	40	OR69.44X3.53	2701540000	69.44x3.53
3"	48	OR85.32X3.53	2701546000	85.32x3.53
4"	64	OR110.72X3.53	2701552000	110.72x3.53
5"	80	OR136.12X3.53	2701557000	136.12x3.53
6"	96	OR158.34X3.53	2701560000	158.34x3.53
8"	28	OR219.3X5.7	2701564000	219.3x5.70
10"	60	OR269.3X5.7	2701566000	269.3x5.70
12"	92	OR319.3X5.7	2701568520	319.3x5.7

O-ring 2 in insert cones

Size	GS Size	Part No	ID Code	DxS
1 1/2"	24	OR41X1.78	2701525000	41.00x1.78
2"	32	OR52.5X1.78	2701532000	52.50x1.78
2 1/2"	40	OR66.4X1.78	2701538000	66.40x1.78
3"	48	OR82.27X1.78	2701544200	82.27x1.78
4"	64	OR107.67X1.78	2701551000	107.67x1.78
5"	80	OR126.67X2.62	2701555000	126.67x2.62
6"	96	OR152.07X2.62	2701558000	152.07x2.62
8"	28	OR209.22X2.62	2701563000	209.22x2.62
10"	60	OR247.32X2.62	2701565000	247.32x2.62
12"	92	OR304.39X3.53	2701568500	304.39x3.53

Material possibilities:
 Standard= NBR, Shore 90 A
 FPM (Viton®), Shore 90 A= add VI after Part No
 Other materials on request.