

GS-HYDRO – INTERPUMP FLUID SOLUTIONS

CARBON STEEL HOSE COUPLINGS



GS-PIPING WITHOUT WELDING™



INTERPUMP
FLUID SOLUTIONS

Powered by I.M.M. Hydraulics



GS-Hydro



Main Index

STANDARD TAILS 1 – 104
INTER-LOCK TAILS 105 – 124
HYBLAST TAILS 125 – 131
MULTISPIRAL TAILS 133 – 149
LOW PRESSURE 151 – 166

Section Index

001C	9	0300, 0035.....	57
0022.....	10	0135, 0235.....	58
0001.....	11	0500.....	59
0002, 003T.....	12	0085.....	60
0003, 0007.....	13	0085R	61
0008, PTFE.....	14	0185.....	62
PTFE-C, 0009	15	0185R	63
04H, BMC1	16	0285.....	64
BMC2, 0345.....	17	0285R	65
0060.....	18	0450.....	66
0350.....	19	0084.....	67
035G.....	20	0184.....	68
0051.....	21	0284.....	69
0050.....	22	1350.....	70
0052, 0041.....	23	1650.....	71
0040, 0042.....	24	0550.....	72
0151.....	25	0650.....	73
0150.....	26	0650S.....	74
0152, 0141.....	27	0750.....	75
0140, 0142.....	28	0750S.....	76
2300, 2301.....	29	0030, 0130.....	77
2320, 2321.....	30	FK50, FN50.....	78
0251.....	31	FN51, 0398.....	79
0250.....	32	K05B.....	80
0252, 0241.....	33	S350.....	81
0240, 0242.....	34	S050.....	82
0360.....	35	S05T.....	83
1400.....	36	S150.....	84
1600, 1600-00	37	S250.....	85
0370.....	38	0920, 0930.....	86
037G, N051	39	0980S, 1030S.....	87
0850.....	40	0940.....	88
0901.....	41	0990S, 1040S.....	89
0900.....	42	1050, 1150.....	90
0902.....	43	1250.....	91
0901D.....	44	1260.....	92
0951.....	45	1060.....	93
0950.....	46	1160.....	94
0952.....	47	1060.....	95
2970, 2971.....	48	FS3L, S003	96
2950, 2951.....	49	1310.....	97
1001.....	50	1110.....	98
1002.....	51	1210.....	99
0385, 0390.....	52	FS6L, S006	100
0395, IF00.....	53	130S, 110S	101
IF90, IF45	54	120S.....	102
0400.....	55	D050.....	103
0100, 0200.....	56	GS00.....	104

<p>Braided Trecciato</p>	<p>001C</p> <p>Swaged Ferrule (no skive)</p> <p>9</p>	<p>0022</p> <p>Swaged Ferrule (no skive)</p> <p>10</p>	<p>0001</p> <p>Swaged Ferrule (skive)</p> <p>11</p>	<p>0002</p> <p>Swaged Ferrule (skive)</p> <p>12</p>	
	<p>003T</p> <p>Swaged Ferrule (no skive)</p> <p>12</p>	<p>Textile Tessile</p>	<p>0003</p> <p>Swaged Ferrule (no skive)</p> <p>13</p>	<p>Thermo plastic</p>	
	<p>0007</p> <p>Swaged Ferrule (no skive)</p> <p>13</p>	<p>0008</p> <p>Swaged Ferrule (no skive)</p> <p>14</p>	<p>PTFE</p>	<p>PTFE</p> <p>Ferrule for PTFE hose</p> <p>14</p>	<p>PTFE-C</p> <p>Ferrule for PTFE hose</p> <p>15</p>
	<p>Spiral</p>	<p>0009</p> <p>Swaged Ferrule (skive)</p> <p>15</p>	<p>004H</p> <p>Swaged Ferrule (skive)</p> <p>16</p>	<p>BMC1</p> <p>Swaged Ferrule (no skive)</p> <p>16</p>	<p>BMC2</p> <p>Swaged Ferrule (no skive)</p> <p>17</p>
	<p>BSP flat</p>	<p>0345</p> <p>BSP Male - Flat Seat</p> <p>17</p>	<p>0060</p> <p>BSP Female Flat Seal</p> <p>18</p>	<p>MALE BSP 60°</p>	<p>0350</p> <p>BSP Male Parallel 60° cone</p> <p>19</p>

035G



BSP Male Parallel 60°
Cone - Rotating

20



0051



BSP Female 60° Cone
Rolled Nut

21

0050



BSP Female 60° cone
Thrust Wire

22

0052



BSP Female 60° Cone
Slip On Nut

23

0041



BSP O'Ring Female
60° Cone- Rolled Nut

23

0040



BSP O'Ring Female
60° Cone-Thrust wire

24

0042



BSP O'Ring Female
60° Cone - Slip on nut

24

0151



BSP 90° Swept elbow
60° cone Rolled Nut

25

0150



BSP 90° Swept Elbow
60° cone Thrust Wire

26

0152



BSP 90° Swept elbow
60° cone Slip On Nut

27

0141



BSP O'Ring 90° Swept
elbow 60° cone- Rol-
led Nut

27

0140



BSP O'Ring 90° Swept
elbow 60° cone-
Thrust Wire Nut

28

0142



BSP O'Ring 90° Swept
elbow 60° cone- Slip
on nut

28

2300



BSP 90° Compact El-
bow 60° Cone - Thrust
wire - Welded

29

2301



BSP 90° Compact El-
bow 60° Cone - Rolled
nut - Welded

29

2320



BSP 90° Compact El-
bow 60° Cone - Thrust
wire

30

2321



BSP 90° Compact El-
bow 60° Cone - Rolled
nut

30

0251



BSP 45° Swept Elbow
60° Cone - Rolled nut

31

0250



BSP 45° Swept Elbow
60° Cone - Thrust
Wire Nut

32

0252



BSP 45° Swept Elbow
60° Cone - Slip on
nut

33

0241



BSP O'Ring 45° Swept
Elbow 60° Cone - Rol-
led nut

33

0240



BSP O'Ring 45° Swept
Elbow 60° Cone -
Thrust Wire Nut

34

0242



BSP O'Ring 45° Swept
Elbow 60° Cone - Slip
on nut

34



0360



BSP Taper Male 60° cone

35



1400



BSP Banjo

36

1600



Double BSP perfored bolt

37

1600-00



BSP perfored bolt

37



0370



NPTF Male 60° cone

38

037G



NPTF Male Parallel 60° Cone - Rotating

39

N051



NPSM Female 60° Cone Rolled Nut

39



0850



JIC Male 74° cone

40



0901



JIC Female 74° cone - Rolled Nut

41

0900



JIC Female 74° Thrust Wire Nut

42

0902



JIC Female 74° - Slip on nut

43

0901D



JIC Female 74° cone - Double hexagon

44

0951



JIC 90° Swept Elbow 74° cone - Rolled Nut

45

0950



JIC 90° Swept Elbow 74° cone - Thrust Wire Nut

46

0952



JIC 90° Swept Elbow 74° cone - Slip on nut

47

2970



JIC 90° Compact Elbow 74° cone - Thrust Wire Nut

48

2971



JIC 90° Compact Elbow 74° cone - Crimped Nut

48

2950



JIC 90° Compact Elbow 74° cone - Thrust Wire Nut - Welded

49

2951



JIC 90° Compact Elbow 74° cone - Rolled Nut - Welded

49

1001



JIC 90° Swept Elbow 74° cone - Rolled Nut

50

1002



JIC 45° Swept Elbow
74° Cone Slipe on nut

51



0385



SAE Male O'R Flat
Seat

52

0390



Swivel Male O'Ring

52

0395



90° Swivel Male O'ring

53



IF00



Straight Male Inverted
Flare Swivel

53

IF90



90° Male Inverted
Flare Swivel

54

IF45



45° Male Inverted
Flare Swivel

54



0400



Metric Male 60° cone

55

0100



Metric Female 60°
cone

56

0200



90° Metric Swept
Elbow 60° cone

56

0300



45° Metric Swept
Elbow 60° cone

57



0035



Metric Female 24°
Seat Light Multiseal

57

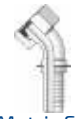
0135



90° Metric Swept
Elbow 24° Seat Light
Multiseal

58

0235



45° Metric Swept
Elbow 24° Seat Light
Multiseal

58



0500



Metric Male 24° Seat
Light

59



0085



Metric Female 24°
Seat Light

60

0085R



Metric Female 24°
Seat Light (rolled nut)

61

0185



90° Metric Swept
Elbow 24° Seat Light

62

0185R



90° Metric Swept Elbow 24° Seat Light (rolled nut)

63

0285



45° Metric Swept Elbow 24° Seat Light

64

0285R



45° Metric Swept Elbow 24° Seat Light (rolled nut)

65



0450



Metric Male 24° Seat Heavy

66



0084



Metric Female 24° Seat Heavy

67

0184



90° Metric Swept Elbow 24° Seat Heavy

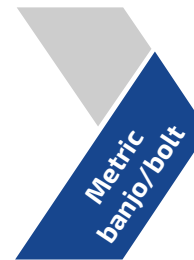
68

0284



45° Metric Swept Elbow 24° Seat Heavy

69



1350



Metric Banjo

70

1650



Metric perfored bolt

71

0550



Metric Standpipe

72



0650



90° Metric Standpipe

73

0650S



90° Metric Standpipe (welded)

74

0750



45° Metric Standpipe

75

0750S



45° Metric Standpipe (Welded)

76



0030



Metric Female 24° Cone French Type

77

0130



90° Metric Swept EL-bow 24° Cone French Type

W



FK50



K' Female

78

FN50



'K' Male (for gun) - Diameter 10

78

FN51



'K' Male (for gun) - Diameter 11

79



0398



Staplelock Male

79



K05B



Kobelko Male

80



S350



ORFS Male

81



S050



ORFS Female

82

S05T



ORFS Female Back Hexagon

83

S150



ORFS 90° Swept Elbow

84

S250



ORFS 45° Swept Elbow

85



0920



JIS Female 60° cone (Nissan)

86



0930



JIS Female 60° cone (Toyota)

86

0980S



90° JIS Swept Elbow (Toyota) - welded

87

1030S



45° JIS Swept Elbow (Toyota) - welded

87



0940



JIS Female 60° Cone (Komatsu)

88

0990S



90° JIS Swept Elbow (Komatsu) - welded

89

1040S



45° JIS Swept Elbow (Komatsu) - welded

89

1050



Komatsu Flange 90°

90

1150



Komatsu Flange 45°

90

1250



Komatsu Flange - Straight

91



1260



Straight SAE Flange
3000 PSI

92

1060



90° SAE Flange 3000
PSI

93

1160



45° SAE Flange 3000
PSI

94

1060



22.5°/30°/60°/67.5°
SAE Flange 3000 PSI

95



FS3L



90° SAE Flange 3000
Psi - Long Drop

96

S003



Cut Split Flanges -
3000 psi

96



1310



Straight SAE Flange
6000 PSI

97

1110



90° SAE Flange 6000
PSI

98

1210



45° SAE Flange 6000
PSI

99

FS6L



90° SAE Flange 6000
Psi - Long Drop

100

S006



Cut Split Flanges -
6000 psi

100



130S



Straight 'CAT' Flange

101

110S



90° 'CAT' Flange

101

120S



45° 'CAT' Flange

102



D050



Hose Junction

103



GS00

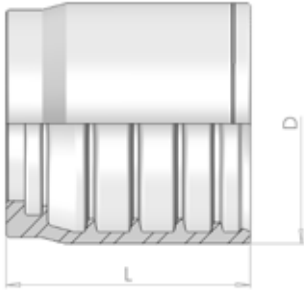


Weldable Fitting

104

001C

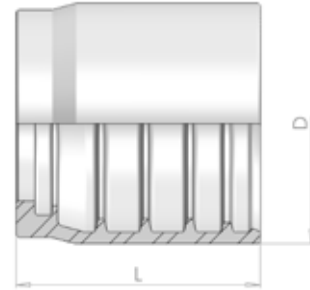
Swaged Ferrule (no skive)



Part number	Hose I.D.		Dimensions		Skive Length
	in	mm	D	L	
001C-03	3/16	4,8	185	24	NO
001C-04	1/4	6.4	20	26	NO
001C-05	5/16	7.9	22	26	NO
001C-06	3/8	9.5	25	28	NO
001C-08	1/2	12.7	28	28	NO
001C-10	5/8	15.9	32	31	NO
001C-12	3/4	19	36	38	NO
001C-16	1	25.4	44	475	NO
001C-20	1.1/4	31.8	54	56	NO
001C-24	1.1/2	38.1	62	66	NO
001C-32	2	50.8	75	73	NO
001C-40	2.1/2	63,5	88	90	NO
001C-48	3	76,2	101	90	NO

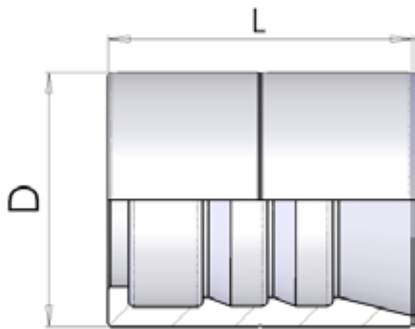
0022

Swaged Ferrule (no skive)



Part number	Hose I.D.		Dimensions		Skive Length
			D	L	
	in	mm			
0022-03	3/16	4.8	21	256	NO
0022-04	1/4	6.4	22	28	NO
0022-05	5/16	7.9	24	28	NO
0022-06	3/8	9.5	26	28	NO
0022-08	1/2	12.7	30	31	NO
0022-10	5/8	15.9	34	31	NO
0022-12	3/4	19	37	38	NO
0022-16	1	25.4	47	475	NO
0022-20	1.1/4	31.8	58	56	NO
0022-24	1.1/2	38.1	656	66	NO
0022-32	2	50.8	786	73	NO

0001

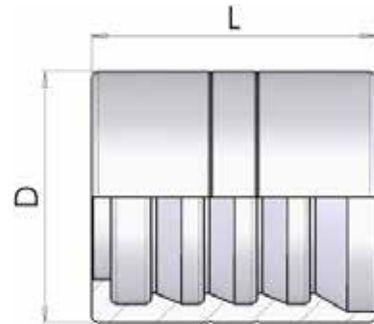


Swaged Ferrule (skive)

Part number	Hose I.D.		Dimensions		Skive Length
			D	L	
	in	mm			
0001-03	3/16	4.8	175	27	20
0001-04	1/4	6.4	20	302	23
0001-05	5/16	7.9	22	307	23
0001-06	3/8	9.5	24	32	24
0001-08	1/2	12.7	285	34	25
0001-10	5/8	15.9	32	37	27
0001-12	3/4	19	36	43	31
0001-16	1	25.4	43	50	37
0001-20	1.1/4	31.8	52	57	46
0001-24	1.1/2	38.1	57	63	44
0001-32	2	50.8	706	78	60

0002

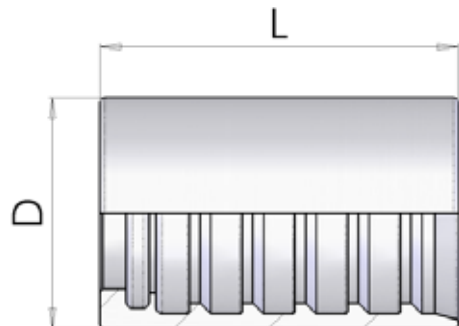
Swaged Ferrule (skive)



Part number	Hose I.D.		Dimensions		Skive Length
	in	mm	D	L	
0002-03	3/16	4.8	20	27	21
0002-04	1/4	6.4	21	30	22
0002-05	5/16	7.9	24	30	22
0002-06	3/8	9.5	25.4	32	24
0002-08	1/2	12.7	30	34	25
0002-10	5/8	15.9	34	37	27
0002-12	3/4	19	38	43	31
0002-16	1	25.4	46	50	37
0002-20	1.1/4	31.8	56	59	43
0002-24	1.1/2	38.1	62	63	45
0002-32	2	50.8	75	79	61
0002-40	2.1/2	63.5	95	83.7	63
0002-48	3	76.2	105.6	94.3	78

003T

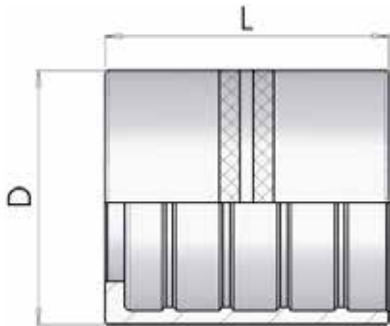
Swaged Ferrule (no skive)



Part number	Hose I.D.		Dimensions		Skive Length
	in	mm	D	L	
003T-08	1/2	12.7	31	325	NO
003T-10	5/8	15.9	34	34	NO

0003

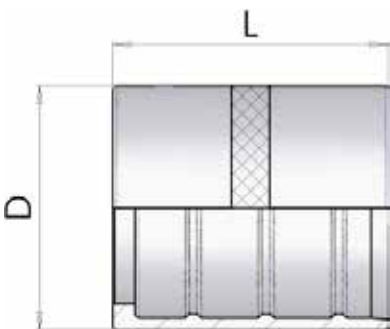
Swaged Ferrule (no skive)



Part number	Hose I.D.		Dimensions		Skive Length
	in	mm	D	L	
0003-03	3/16	4.8	14	27	NO
0003-04	1/4	6.4	19	29	NO
0003-05	5/16	7.9	22	30	NO
0003-06	3/8	9.5	24	31	NO
0003-08	1/2	12.7	28.5	34	NO
0003-10	5/8	15.9	32	36	NO
0003-12	3/4	19	38	42	NO
0003-16	1	25.4	46	50	NO
0003-20	1.1/4	31.8	52	57	NO

0007

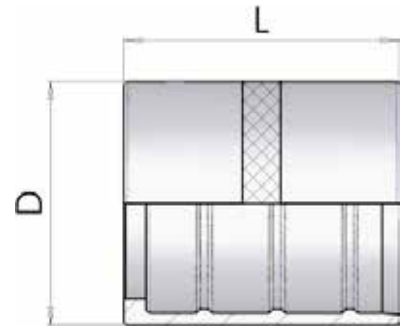
Swaged Ferrule (no skive)



Part number	Hose I.D.		Dimensions		Skive Length
	in	mm	D	L	
0007-03	3/16	4.8	14	27	NO
0007-04	1/4	6.4	17	29	NO
0007-05	5/16	7.9	19	30	NO
0007-06	3/8	9.5	21	31	NO
0007-08	1/2	12.7	25.4	34	NO
0007-10	5/8	15.9	28.5	36	NO
0007-12	3/4	19	32	36	NO
0007-16	1	25.4	40	50	NO

0008

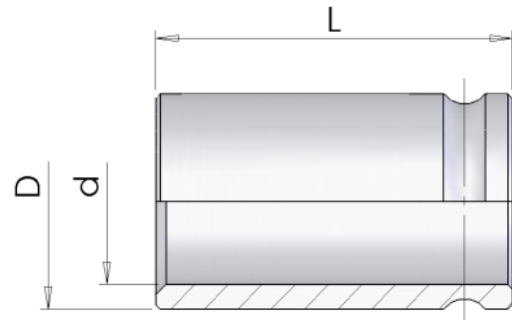
Swaged Ferrule (no skive)



Part number	Hose I.D.		Dimensions		Skive Length
	in	mm	D	L	
0008-03	3/16	4.8	13	27	NO
0008-04	1/4	6.4	17	29	NO
0008-05	5/16	7.9	19	30	NO
0008-06	3/8	9.5	21.5	31	NO
0008-08	1/2	12.7	26	34	NO
0008-10	5/8	15.9	29	40	NO
0008-12	3/4	19	32	42	NO
0008-16	1	25.4	40	50	NO

PTFE

Ferrule for PTFE hose



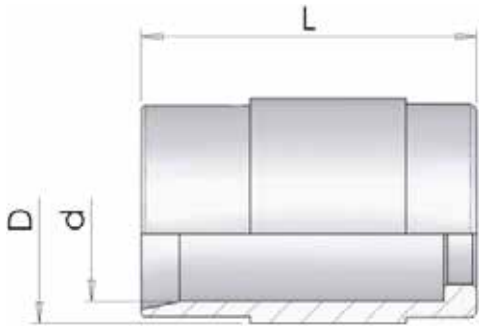
For PTFE hose type T1 - (with standard fittings)

Part number	Hose I.D.		Dimensions		Skive Length
	in	mm	D	L	
PTFE-03	3/16	4.8	127	22	NO
PTFE-04	1/4	6.4	144	239	NO
PTFE-05	5/16	7.9	171	246	NO
PTFE-06	3/8	9.5	19	274	NO
PTFE-08	1/2	12.7	224	287	NO
PTFE-10	5/8	15.9	27	317	NO
PTFE-12	3/4	19	287	345	NO
PTFE-16	1	25.4	381	436	NO

PTFE-C

Ferrule for PTFE hose

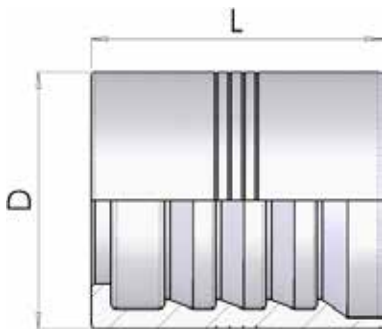
For PTFE hose type LTC - (with standard fittings)



Part number	Hose I.D.		Dimensions		Skive Length
	in	mm	D	L	
PTFE-04-C	1/4	6.4	178	265	NO
PTFE-06-C	3/8	9.5	20	305	NO
PTFE-08-C	1/2	12.7	24	332	NO
PTFE-10-C	5/8	15.9	292	348	NO
PTFE-12-C	3/4	19	311	409	NO
PTFE-16-C	1	25.4	385	47	NO

0009

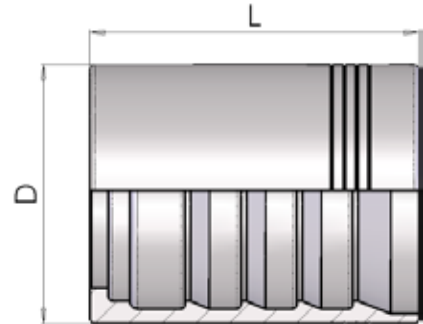
Swaged Ferrule (skive)



Part number	Hose I.D.		Dimensions		Skive Length
	in	mm	D	L	
0009-04	1/4	6.4	21	30	22
0009-06	3/8	9.5	254	335	26
0009-08	1/2	12.7	30	36	28
0009-10	5/8	15.9	34	40	31
0009-12	3/4	19	38	43	34
0009-16	1	25.4	46	60	48
0009-20	1.1/4	31.8	56	66	54
0009-24	1.1/2	38.1	67	765	62
0009-32	2	50.8	80	798	64

004H

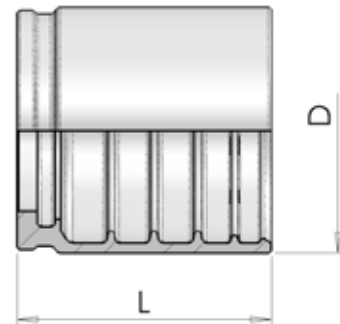
Swaged Ferrule (skive)



Part number	Hose I.D.		Dimensions		Skive Length
	in	mm	D	L	
004H-20	1.1/4	31.8	52	66	55
004H-24	1.1/2	38.1	62	765	63
004H-32	2	50.8	75	798	65

BMC1

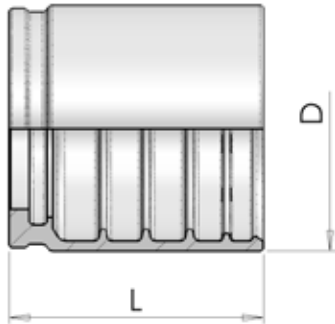
Swaged Ferrule (no skive)



Part number	Hose I.D.		Dimensions		Skive Length
	in	mm	D	L	
BMC1-12	3/4	19	45	41	NO
BMC1-16	1	25.4	535	56	NO
BMC1-20	1.1/4	31.8	62	62	NO

BMC2

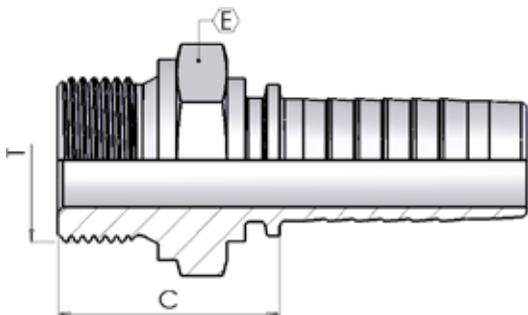
Swaged Ferrule (no skive)



Part number	Hose I.D.		Dimensions		Skive Length
			D	L	
	in	mm			
BMC2-20	1.1/4	31.8	66	62	NO
BMC2-24	1.1/2	38.1	73	70	NO

0345

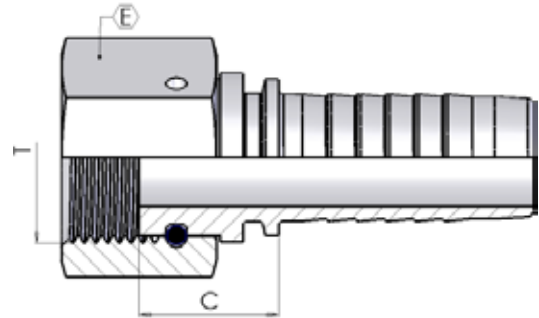
BSP Male - Flat Seat



Part number	Hose I.D.		Dimensions			
			dash size	Thread T	Cut-Off C	Hex E
	in	mm				
0345-03-02	3/16	4.8	03	1/8-28	21	14
0345-04-04	1/4	6.4	04	1/4-19	27	19
0345-04-06	1/4	6.4	04	3/8-19	28	22
0345-05-06	5/16	7.9	05	3/8-19	28	22
0345-06-06	3/8	9.5	06	3/8-19	29	22
0345-06-08	3/8	9.5	06	1/2-14	32	27
0345-08-08	1/2	12.7	08	1/2-14	33	27
0345-08-10	1/2	12.7	08	5/8-14	35	30
0345-08-12	1/2	12.7	08	3/4-14	35	32
0345-10-10	5/8	15.9	10	5/8-14	35	30
0345-10-12	5/8	15.9	10	3/4-14	35	32
0345-12-12	3/4	19	12	3/4-14	36	32
0345-12-16	3/4	19	12	1-11	39	41
0345-16-16	1	25.4	16	1-11	40	41

0060

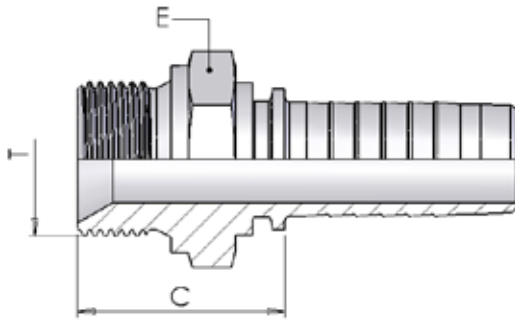
BSP Female Flat Seal



Part number	Hose I.D.		Dimensions			
			dash	Thread	Cut-Off	Hex
	in	mm	size	T	C	E
0060-04-04	1/4	6.4	04	1/4-19	14	19
0060-04-06	1/4	6.4	04	3/8-19	15	22
0060-05-04	5/16	7.9	05	1/4-19	14	19
0060-05-06	5/16	7.9	05	3/8-19	15	22
0060-05-08	5/16	7.9	05	1/2-14	17	27
0060-06-06	3/8	9.5	06	3/8-19	15	22
0060-06-08	3/8	9.5	06	1/2-14	16	27
0060-08-08	1/2	12.7	08	1/2-14	16	27
0060-08-10	1/2	12.7	08	5/8-14	16	30
0060-08-12	1/2	12.7	08	3/4-14	23	32
0060-10-10	5/8	15.9	10	5/8-14	16	30
0060-10-12	5/8	15.9	10	3/4-14	20	32
0060-12-12	3/4	19	12	3/4-14	21	32
0060-12-16	3/4	19	12	1-11	23	38
0060-16-16	1	25.4	16	1-11	22	38
0060-24-24	1.1/2	38.1	24	1.1/2-11	27	55

0350

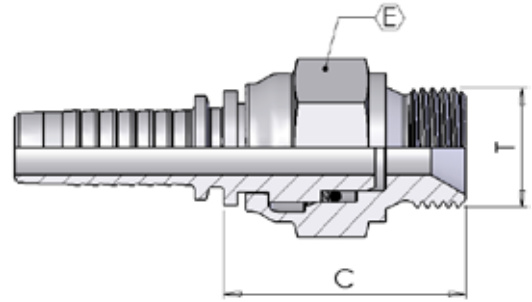
BSP Male Parallel 60° cone



Part number	Hose I.D.		Dimensions			
			dash	Thread	Cut-Off	Hex
			size	T	C	E
0350-03-02	3/16	4.8	03	1/8-28	21	14
0350-03-04	3/16	4.8	03	1/4-19	26	19
0350-04-02	1/4	6.4	04	1/8-28	21	14
0350-04-04	1/4	6.4	04	1/4-19	27	19
0350-04-06	1/4	6.4	04	3/8-19	28	22
0350-04-08	1/4	6.4	04	1/2-14	35	27
0350-05-04	5/16	7.9	05	1/4-19	27	19
0350-05-06	5/16	7.9	05	3/8-19	28	22
0350-05-08	5/16	7.9	05	1/2-14	32	27
0350-06-04	3/8	9.5	06	1/4-19	27	19
0350-06-06	3/8	9.5	06	3/8-19	29	22
0350-06-08	3/8	9.5	06	1/2-14	32	27
0350-08-06	1/2	12.7	08	3/8-19	29	22
0350-08-08	1/2	12.7	08	1/2-14	33	27
0350-08-10	1/2	12.7	08	5/8-14	34	30
0350-08-12	1/2	12.7	08	3/4-14	35	32
0350-10-08	5/8	15.9	10	1/2-14	33	27
0350-10-10	5/8	15.9	10	5/8-14	35	30
0350-10-12	5/8	15.9	10	3/4-14	35	32
0350-12-12	3/4	19	12	3/4-14	36	32
0350-12-16	3/4	19	12	1-11	39	41
0350-16-16	1	25.4	16	1-11	40	41
0350-16-20	1	25.4	16	1.1/4-11	44	50
0350-20-16	1.1/4	31.8	20	1-11	41	41
0350-20-20	1.1/4	31.8	20	1.1/4-11	45	50
0350-20-24	1.1/4	31.8	20	1.1/2-11	46	55
0350-24-24	1.1/2	38.1	24	1.1/2-11	46	55
0350-24-32	1.1/2	38.1	24	2-11	54	70
0350-32-24	2	50.8	32	1.1/2-11	50	65
0350-32-32	2	50.8	32	2-11	54	70

035G

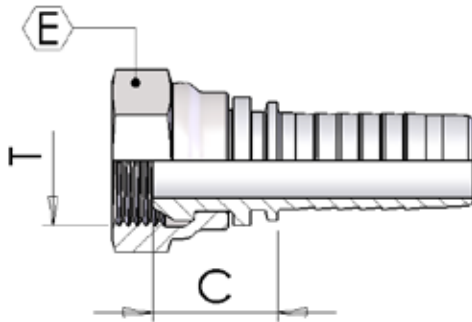
BSP Male Parallel 60° Cone - Rotating



Part number	Hose I.D.		Dimensions			
			dash	Thread	Cut-Off	Hex
	in	mm	size	T	C	E
035G-04-04	1/4	6.4	04	1/4-19	37	19
035G-06-06	3/8	9.5	06	3/8-19	43	22
035G-08-08	1/2	12.7	08	1/2-14	47	27
035G-12-12	3/4	19	12	3/4-14	52	32

0051

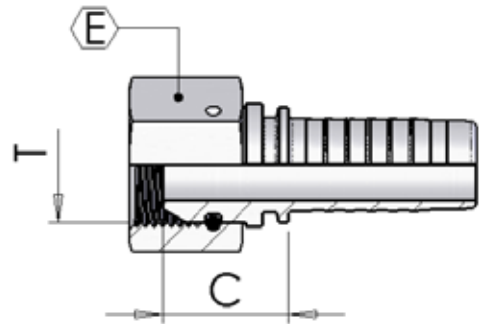
BSP Female 60° Cone Rolled Nut



Part number	Hose I.D.	Dimensions		
		dash	Hex	Cut-Off
		size	E	C
0051-03-02	3/16	03	14	15
0051-03-04	3/16	03	19	17
0051-04-02	1/4	04	14	15
0051-04-04	1/4	04	19	17
0051-04-06	1/4	04	22	19
0051-04-08	1/4	04	27	22
0051-05-04	5/16	05	19	17
0051-05-06	5/16	05	22	19
0051-05-08	5/16	05	27	22
0051-06-04	3/8	06	19	17
0051-06-06	3/8	06	22	19
0051-06-08	3/8	06	27	22
0051-08-06	1/2	08	22	20
0051-08-08	1/2	08	27	23
0051-08-10	1/2	08	30	20
0051-08-12	1/2	08	32	27
0051-10-08	5/8	10	27	23
0051-10-10	5/8	10	30	20
0051-10-12	5/8	10	32	25
0051-12-08	3/4	12	27	24
0051-12-12	3/4	12	32	25
0051-12-16	3/4	12	38	26
0051-16-12	1	16	32	27
0051-16-16	1	16	38	27

0050

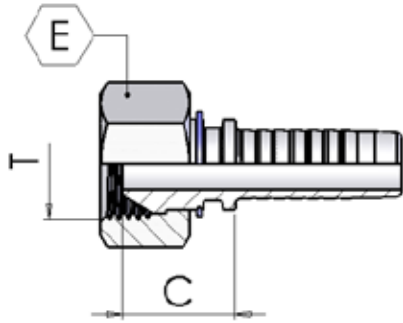
BSP Female 60° cone Thrust Wire



Part number	Hose I.D.	Dimensions		
		dash size	Hex E	Cut-Off C
	in			
0050-03-02	3/16	03	14	15
0050-03-04	3/16	03	19	17
0050-04-02	1/4	04	14	15
0050-04-04	1/4	04	19	17
0050-04-06	1/4	04	22	19
0050-04-08	1/4	04	27	22
0050-05-04	5/16	05	19	17
0050-05-06	5/16	05	22	19
0050-05-08	5/16	05	27	22
0050-06-04	3/8	06	19	17
0050-06-06	3/8	06	22	19
0050-06-08	3/8	06	27	22
0050-08-06	1/2	08	22	20
0050-08-08	1/2	08	27	23
0050-08-10	1/2	08	30	20
0050-08-12	1/2	08	32	27
0050-10-08	5/8	10	27	23
0050-10-10	5/8	10	30	20
0050-10-12	5/8	10	32	25
0050-12-08	3/4	12	27	24
0050-12-12	3/4	12	32	25
0050-12-16	3/4	12	38	26
0050-16-12	1	16	32	27
0050-16-16	1	16	38	27
0050-16-20	1	16	50	30
0050-20-20	1.1/4	20	50	32
0050-20-24	1.1/4	20	55	34
0050-24-24	1.1/2	24	55	34
0050-24-32	1.1/2	24	70	34
0050-32-32	2	32	70	31
0050-40-40	2.1/2	40	85	41
0050-48-48	3	48	100	45

0052

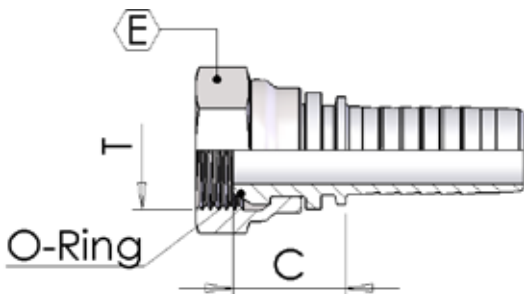
BSP Female 60° Cone Slip On Nut



Part number	Hose I.D.	Dimensions		
		dash size	Hex E	Cut-Off C
0052-04-04	1/4 in	04	17	17
0052-06-06	3/8 in	06	19	17
0052-08-08	1/2 in	08	27	21

0041

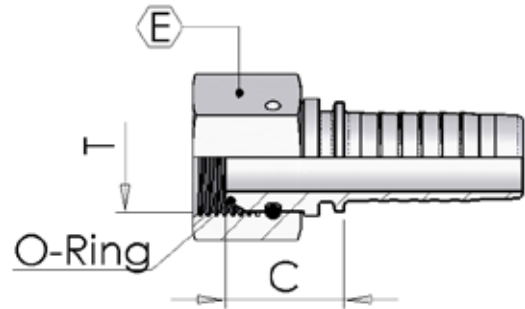
BSP O'Ring Female 60° Cone-Rolled Nut



Part number	Hose I.D.	Dimensions		
		dash size	Hex E	Cut-Off C
0041-04-04	1/4 in	04	19	17
0041-06-06	3/8 in	06	22	19
0041-08-08	1/2 in	08	27	21
0041-10-10	5/8 in	10	30	21
0041-12-12	3/4 in	12	32	26
0041-16-16	1 in	16	38	28

0040

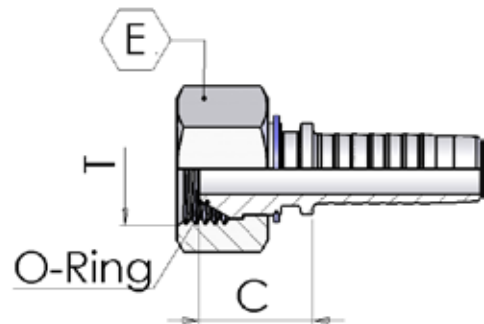
BSP O'Ring Female 60° Cone-Thrust wire Nut



Part number	Hose I.D.	Dimensions		
		dash size	Hex E	Cut-Off C
0040-10-10	5/8	10	30	21
0040-12-12	3/4	12	32	26
0040-16-16	1	16	38	28

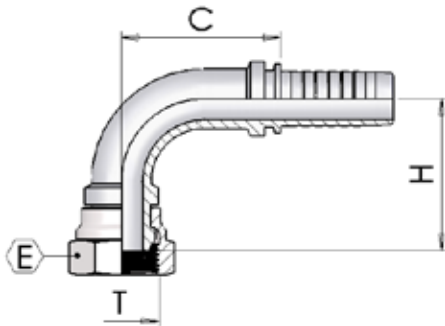
0042

BSP O'Ring Female 60° Cone - Slip on nut



Part number	Hose I.D.	Dimensions		
		dash size	Hex E	Cut-Off C
0042-04-04	1/4	04	17	17
0042-06-06	3/8	06	19	17
0042-08-08	1/2	08	27	20

0151

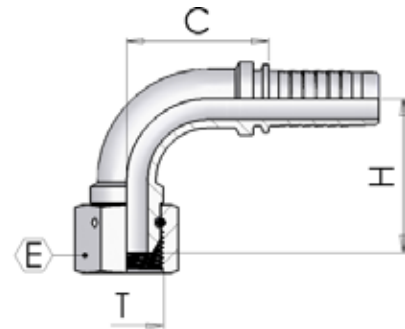


BSP 90° Swept elbow 60° cone Rolled Nut

Part number	Hose I.D.	Dimensions				
		dash size	Thread T	C	Hex E	Drop H
	in					
0151-03-02	3/16	03	1/8-28	22	14	23
0151-03-04	3/16	03	1/4-19	22	19	25
0151-04-02	1/4	04	1/8-28	25	14	25
0151-04-04	1/4	04	1/4-19	25	19	27
0151-04-06	1/4	04	3/8-19	25	22	31
0151-05-04	5/16	05	1/4-19	31	19	31
0151-05-06	5/16	05	3/8-19	29	22	36
0151-06-04	3/8	06	1/4-19	31	19	33
0151-06-06	3/8	06	3/8-19	33	22	35
0151-06-08	3/8	06	1/2-14	31	27	40
0151-08-06	1/2	08	3/8-19	39	22	42
0151-08-08	1/2	08	1/2-14	39	27	41
0151-08-10	1/2	08	5/8-14	40	30	41
0151-08-12	1/2	08	3/4-14	41	32	46
0151-10-10	5/8	10	5/8-14	43	30	43
0151-10-12	5/8	10	3/4-14	45	32	50
0151-12-12	3/4	12	3/4-14	56	32	57
0151-12-16	3/4	12	1-11	56	38	60
0151-16-16	1	16	1-11	70	38	67

0150

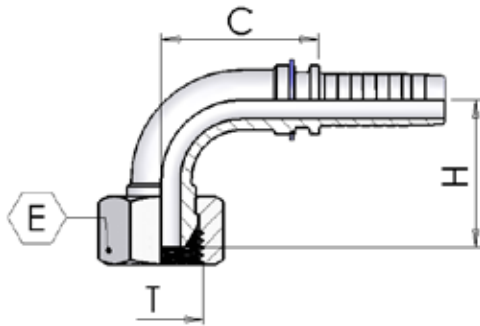
BSP 90° Swept Elbow 60° cone Thrust Wire



Part number	Hose I.D.		Dimensions				
			dash	Thread	Cut-Off	Hex	Drop
	in	mm	size	T	C	E	H
0150-03-02	3/16	4.8	03	1/8-28	22	14	23
0150-03-04	3/16	4.8	03	1/4-19	22	19	25
0150-04-02	1/4	6.4	04	1/8-28	25	14	25
0150-04-04	1/4	6.4	04	1/4-19	25	19	27
0150-04-06	1/4	6.4	04	3/8-19	25	22	31
0150-05-04	5/16	7.9	05	1/4-19	31	19	31
0150-05-06	5/16	7.9	05	3/8-19	29	22	36
0150-06-04	3/8	9.5	06	1/4-19	31	19	33
0150-06-06	3/8	9.5	06	3/8-19	33	22	35
0150-06-08	3/8	9.5	06	1/2-14	31	27	40
0150-08-06	1/2	12.7	08	3/8-19	39	22	42
0150-08-08	1/2	12.7	08	1/2-14	39	27	41
0150-08-10	1/2	12.7	08	5/8-14	40	30	41
0150-08-12	1/2	12.7	08	3/4-14	41	32	46
0150-10-10	5/8	15.9	10	5/8-14	44	30	43
0150-10-12	5/8	15.9	10	3/4-14	45	32	50
0150-12-12	3/4	19	12	3/4-14	56	32	57
0150-12-16	3/4	19	12	1-11	56	38	60
0150S16-12	1	25.4	16	3/4-14	57	32	68
0150-16-16	1	25.4	16	1-11	70	38	67
0150S16-20	1	25.4	16	1.1/4-11	62	50	72
0150-20-20	1.1/4	31.8	20	1.1/4-11	86	50	81
0150S20-24	1.1/4	31.8	20	1.1/2-11	81	55	89
0150-24-24	1.1/2	38.1	24	1.1/2-11	103	55	95
0150S24-32	1.1/2	38.1	24	2-11	102	70	113
0150-32-32	2	50.8	32	2-11	122	70	135

0152

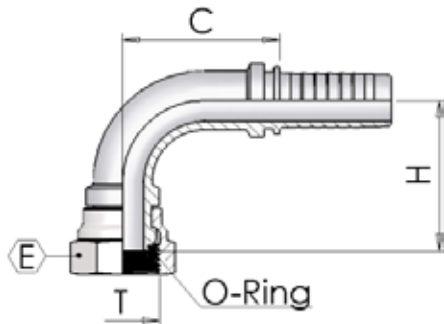
BSP 90° Swept elbow 60° cone Slip On Nut



Part number	Hose I.D.	Dimensions				
		dash size	Thread T	C	Hex E	Drop H
0152-04-04	1/4	04	1/4-19	27	17	26
0152-06-06	3/8	06	3/8-19	34	19	30
0152-08-08	1/2	08	1/2-14	42	27	38

0141

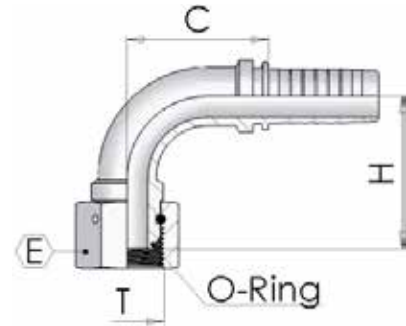
BSP O'Ring 90° Swept elbow 60° cone- Rolled Nut



Part number	Hose I.D.	Dimensions				
		dash size	Thread T	C	Hex E	Drop H
0141-04-04	1/4	04	1/4-19	25	19	27
0141-06-06	3/8	06	3/8-19	33	22	34
0141-08-08	1/2	08	1/2-14	41	27	40
0141-10-10	5/8	10	5/8-14	43	30	55
0141-12-12	3/4	12	3/4-14	56	32	54
0141-16-16	1	16	1-11	70	38	67

0140

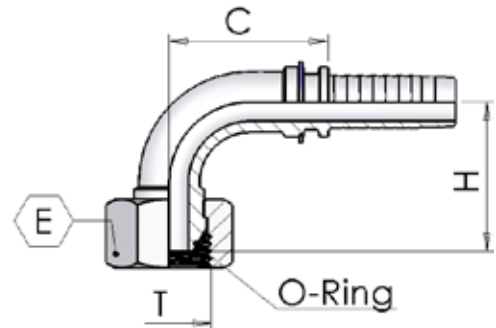
BSP O'Ring 90° Swept elbow 60° cone- Thrust Wire Nut



Part number	Hose I.D.	Dimensions				
		dash size	Thread T	C	Hex E	Drop H
0140-10-10	5/8	10	5/8-14	44	30	43
0140-12-12	3/4	12	3/4-14	56	32	54
0140-16-16	1	16	1-11	70	38	67

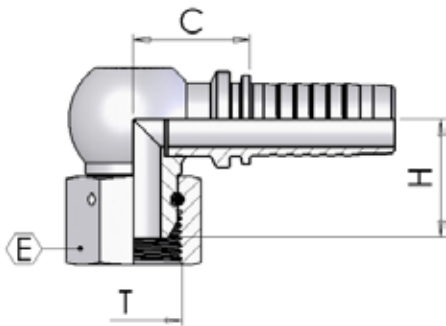
0142

BSP O'Ring 90° Swept elbow 60° cone- Slip on nut



Part number	Hose I.D.	Dimensions				
		dash size	Thread T	C	Hex E	Drop H
0142-04-04	1/4	04	1/4-19	27	17	24
0142-06-06	3/8	06	3/8-19	34	19	28
0142-08-08	1/2	08	1/2-14	42	27	37

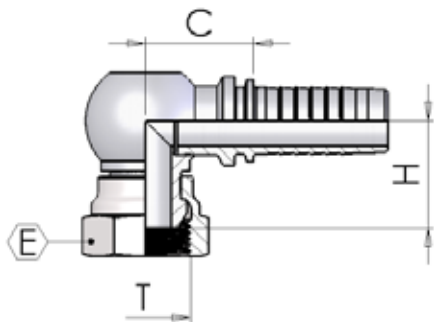
2300



BSP 90° Compact Elbow 60° Cone - Thrust wire - Welded

Part number	Hose I.D.	Dimensions				
		dash size	Thread T	C	Hex E	Drop H
2300-03-02	3/16	03	1/8-28	17	14	16
2300-10-10	5/8	10	5/8-14	28	30	27
2300-10-12	5/8	10	3/4-14	29	32	32
2300-20-20	1.1/4	20	1.1/4-11	47	50	46

2301

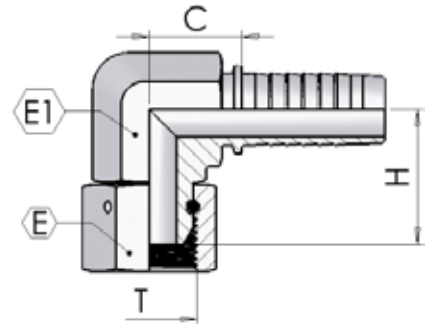


BSP 90° Compact Elbow 60° Cone - Rolled nut - Welded

Part number	Hose I.D.	Dimensions				
		dash size	Thread T	C	Hex E	Drop H
2301-03-02	3/16	03	1/8-28	17	14	16
2301-10-10	5/8	10	5/8-14	28	30	27
2301-10-12	5/8	10	3/4-14	29	32	32

2320

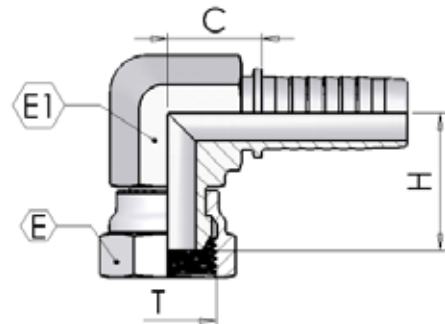
BSP 90° Compact Elbow 60° Cone - Thrust wire



Part number	Hose I.D.	Dimensions					
		dash	Thread		Hex		Drop
	in	size	T	C	E	E1	H
2320-04-04	1/4	04	1/4-19	19	19	15	20
2320-04-06	1/4	04	3/8-19	24	22	17	29
2320-05-06	5/16	05	3/8-19	24	22	17	23
2320-06-06	3/8	06	3/8-19	23	22	17	23
2320-06-08	3/8	06	1/2-14	28	27	19	26
2320-08-08	1/2	08	1/2-14	26	27	22	27
2320-12-12	3/4	12	3/4-14	32	32	27	32
2320-16-16	1	16	1-11	38	38	32	36

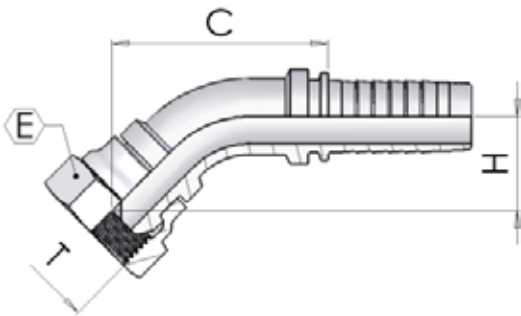
2321

BSP 90° Compact Elbow 60° Cone - Rolled nut



Part number	Hose I.D.	Dimensions					
		dash	Thread		Hex		Drop
	in	size	T	C	E	E1	H
2321-04-04	1/4	04	1/4-19	19	19	15	20
2321-04-06	1/4	04	3/8-19	24	22	17	29
2321-05-06	5/16	05	3/8-19	24	22	17	23
2321-06-06	3/8	06	3/8-19	23	22	17	23
2321-06-08	3/8	06	1/2-14	28	27	19	26
2321-08-08	1/2	08	1/2-14	26	27	22	27
2321-12-12	3/4	12	3/4-14	32	32	27	32
2321-16-16	1	16	1-11	38	38	32	36

0251

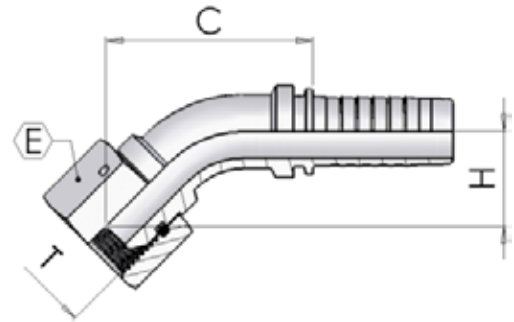


BSP 45° Swept Elbow 60° Cone - Rolled nut

Part number	Hose I.D.	Dimensions				
		dash size	Thread T	C	Hex E	Drop H
0251-03-02	3/16	03	1/8-28	33	14	15
0251-03-04	3/16	03	1/4-19	35	19	15
0251-04-02	1/4	04	1/8-28	40	14	14
0251-04-04	1/4	04	1/4-19	41	19	15
0251-05-04	5/16	05	1/4-19	47	19	16
0251-05-06	5/16	05	3/8-19	51	22	19
0251-06-04	3/8	06	1/4-19	50	19	16
0251-06-06	3/8	06	3/8-19	52	22	19
0251-06-08	3/8	06	1/2-14	55	27	21
0251-08-06	1/2	08	3/8-19	63	22	22
0251-08-08	1/2	08	1/2-12	65	27	24
0251-08-10	1/2	08	5/8-14	64	30	21
0251-08-12	1/2	08	3/4-14	67	32	26
0251-10-08	5/8	10	1/2-14	68	27	24
0251-10-10	5/8	10	5/8-14	68	30	23
0251-10-12	5/8	10	3/4-14	72	32	27
0251-12-12	3/4	12	3/4-14	86	32	30
0251-12-16	3/4	12	1-11	88	38	32
0251-16-16	1	16	1-11	107	38	35

0250

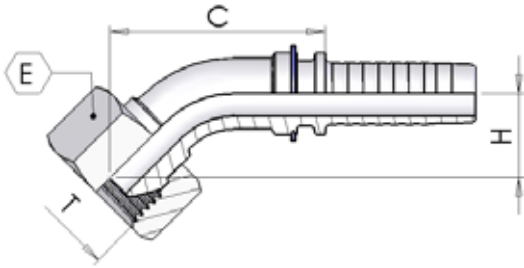
BSP 45° Swept Elbow 60° Cone - Thrust Wire Nut



Part number	Hose I.D.	Dimensions				
		dash size	Thread T	C	Hex E	Drop H
0250-03-02	3/16	03	1/8-28	33	14	15
0250-03-04	3/16	03	1/4-19	35	19	15
0250-04-02	1/4	04	1/8-28	40	14	14
0250-04-04	1/4	04	1/4-19	41	19	15
0250-04-06	1/4	04	3/8-19	44	22	18
0250-05-04	5/16	05	1/4-19	47	19	16
0250-05-06	5/16	05	3/8-19	51	22	19
0250-06-04	3/8	06	1/4-19	50	19	16
0250-06-06	3/8	06	3/8-19	52	22	19
0250-06-08	3/8	06	1/2-14	55	27	21
0250-08-06	1/2	08	3/8-19	63	22	22
0250-08-08	1/2	08	1/2-14	65	27	24
0250-10-10	5/8	10	5/8-14	68	30	23
0250-10-12	5/8	10	3/4-14	72	32	27
0250-12-12	3/4	12	3/4-14	86	32	30
0250-12-16	3/4	12	1-11	88	38	32
0250-16-16	1	16	1-11	107	38	35
0250S16-20	1	16	1.1/4-11	70	50	33
0250-20-20	1.1/4	20	1.1/4-11	107	50	40
0250S20-24	1.1/4	20	1.1/2-11	91	55	41
0250-24-24	1.1/2	24	1.1/2-11	117	55	47
0250-32-32	2	32	2-11	142	70	65

0252

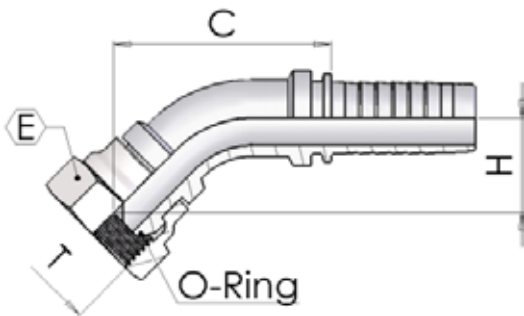
BSP 45° Swept Elbow 60° Cone - Slipe on nut



Part number	Hose I.D.	Dimensions				
		dash size	Thread T	C	Hex E	Drop H
0252-04-04	1/4	04	1/4-19	41	17	15
0252-06-06	3/8	06	3/8-19	49	19	15
0252-08-08	1/2	08	1/2-14	61	27	19

0241

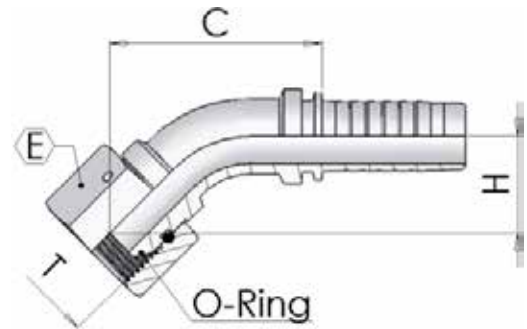
BSP O'Ring 45° Swept Elbow 60° Cone - Rolled nut



Part number	Hose I.D.	Dimensions				
		dash size	Thread T	C	Hex E	Drop H
0241-04-04	1/4	04	1/4-19	41	19	15
0241-06-06	3/8	06	3/8-19	52	22	21
0241-08-08	1/2	08	1/2-14	63	27	22
0241-10-10	5/8	10	5/8-14	68	30	23
0241-12-12	3/4	12	3/4-14	88	32	28
0241-16-16	1	16	1-11	83	38	32

0240

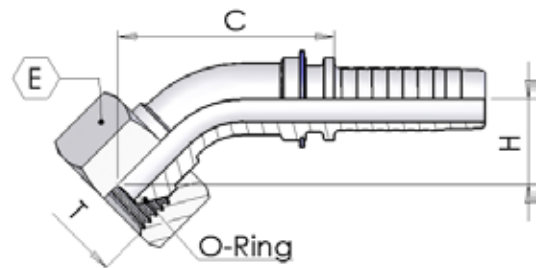
BSP O'Ring 45° Swept Elbow 60° Cone - Thrust Wire Nut



Part number	Hose I.D.	Dimensions				
		dash size	Thread T	C	Hex E	Drop H
0240-10-10	5/8	10	5/8-14	68	30	23
0240-12-12	3/4	12	3/4-14	88	32	28
0240-16-16	1	16	1-11	83	38	32

0242

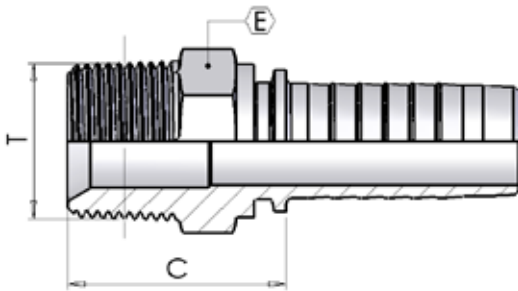
BSP O'Ring 45° Swept Elbow 60° Cone - Slip on nut



Part number	Hose I.D.	Dimensions				
		dash size	Thread T	C	Hex E	Drop H
0242-04-04	1/4	04	1/4-19	41	17	15
0242-06-06	3/8	06	3/8-19	49	19	15
0242-08-08	1/2	08	1/2-14	61	27	19

0360

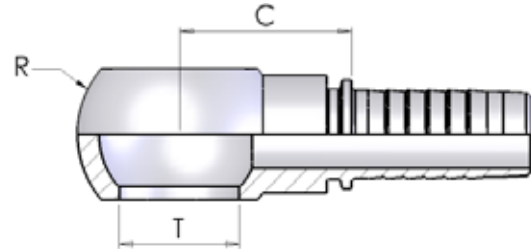
BSP Taper Male 60° cone



Part number	Hose I.D.		Dimensions			
			dash	Thread	Cut-Off	Hex
			size	T	C	E
0360-03-02	3/16	4.8	03	1/8-28	21	12
0360-03-04	3/16	4.8	03	1/4-19	27	15
0360-04-02	1/4	6.4	04	1/8-28	22	12
0360-04-04	1/4	6.4	04	1/4-19	28	15
0360-04-06	1/4	6.4	04	3/8-19	28	19
0360-05-04	5/16	7.9	05	1/4-19	28	15
0360-05-06	5/16	7.9	05	3/8-19	28	19
0360-06-04	3/8	9.5	06	1/4-19	28	17
0360-06-06	3/8	9.5	06	3/8-19	28	19
0360-06-08	3/8	9.5	06	1/2-14	33	22
0360-08-06	1/2	12.7	08	3/8-19	29	19
0360-08-08	1/2	12.7	08	1/2-14	34	22
0360-08-12	1/2	12.7	08	3/4-14	36	27
0360-10-08	5/8	15.9	10	1/2-14	34	22
0360-10-10	5/8	15.9	10	5/8-14	35	24
0360-10-12	5/8	15.9	10	3/4-14	36	27
0360-12-12	3/4	19	12	3/4-14	37	27
0360-12-16	3/4	19	12	1-11	43	36
0360-16-16	1	25.4	16	1-11	44	36
0360-16-20	1	25.4	16	1.1/4-11	46	46
0360-20-20	1.1/4	31.8	20	1.1/4-11	47	46
0360-20-24	1.1/4	31.8	20	1.1/2-11	49	50
0360-24-24	1.1/2	38.1	24	1.1/2-11	49	50
0360-24-32	1.1/2	38.1	24	2-11	55	65
0360-32-32	2	50.8	32	2-11	55	65

1400

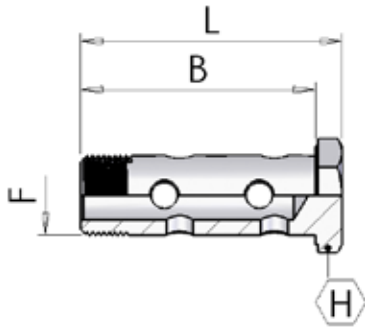
BSP Banjo



Part number	Hose I.D.		Dimensions			
			dash		Cut-Off	
	in	mm	size	mm	C	R
1400-03-02	3/16	4.8	03	10.2	19	17
1400-03-04	3/16	4.8	03	13.3	26	24
1400-04-02	1/4	6.4	04	10.2	25	17
1400-04-04	1/4	6.4	04	13.3	26	24
1400-04-06	1/4	6.4	04	17	26	28
1400-05-04	5/16	7.9	05	13.3	26	24
1400-05-06	5/16	7.9	05	17	26	28
1400-06-04	3/8	9.5	06	13.3	26	24
1400-06-06	3/8	9.5	06	17	26	28
1400-06-08	3/8	9.5	06	21.2	31	36
1400-08-06	1/2	12.7	08	17	27	28
1400-08-08	1/2	12.7	08	21.2	31	36
1400-08-10	1/2	12.7	08	23.1	29	38
1400-08-12	1/2	12.7	08	26.5	38	45
1400-10-10	5/8	15.9	10	23.1	29	39
1400-10-12	5/8	15.9	10	26.5	38	45
1400-12-12	3/4	19	12	26.5	38	45
1400-12-16	3/4	19	12	33.5	49	58
1400-16-16	1	25.4	16	33.5	50	58

1600

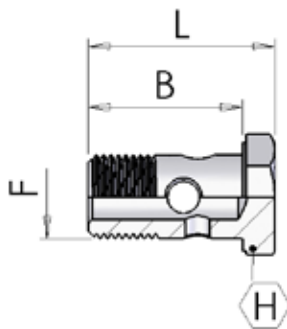
Double BSP perfored bolt



Part number	Dimensions			Drop
	B	F	L	
1600-04-04	43	1/4-19	49	19
1600-06-06	49	3/8-19	57	22
1600-08-08	62	1/2-14	70	27
1600-12-12	78	3/4-14	87	32
1600-16-16	98	1-11	109	41

1600-00

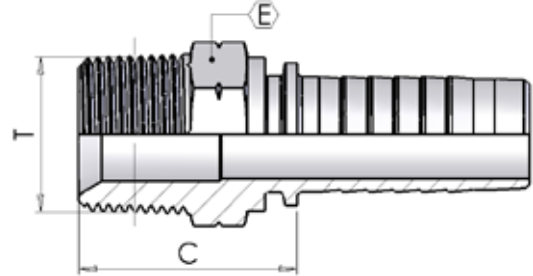
BSP perfored bolt



Part number	Dimensions			Drop
	B	F	L	
1600-00-02	19	1/8-28	24	14
1600-00-04	29	1/4-19	34	19
1600-00-06	33	3/8-19	41	22
1600-00-08	38	1/2-14	46	27
1600-00-10	44	5/8-14	54	30
1600-00-12	47	3/4-14	56	32
1600-00-16	58	1-11	69	41

0370

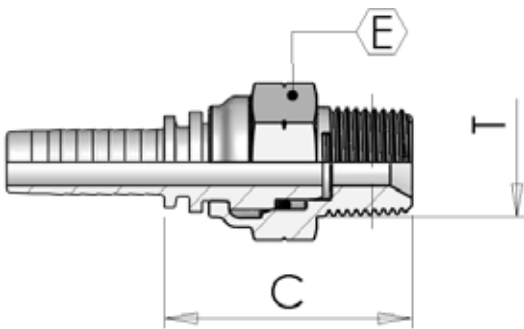
NPTF Male 60° cone



Part number	Hose I.D.		Dimensions			
			dash	Thread	Cut-Off	Hex
	in	mm	size	T	C	E
0370-03-02	3/16	4.8	03	1/8-27	22	12
0370-03-04	3/16	4.8	03	1/4-18	27	15
0370-04-02	1/4	6.4	04	1/8-27	22	12
0370-04-04	1/4	6.4	04	1/4-18	28	15
0370-04-06	1/4	6.4	04	3/8-18	28	19
0370-05-04	5/16	7.9	05	1/4-18	28	15
0370-05-06	5/16	7.9	05	3/8-18	28	19
0370-05-08	5/16	7.9	05	1/2-14	34	22
0370-06-04	3/8	9.5	06	1/4-18	28	17
0370-06-06	3/8	9.5	06	3/8-18	28	19
0370-06-08	3/8	9.5	06	1/2-14	34	22
0370-08-06	1/2	12.7	08	3/8-18	29	19
0370-08-08	1/2	12.7	08	1/2-14	35	22
0370-08-12	1/2	12.7	08	3/4-14	36	27
0370-10-08	5/8	15.9	10	1/2-14	35	24
0370-10-12	5/8	15.9	10	3/4-14	36	27
0370-12-08	3/4	19	12	1/2-14	36	24
0370-12-12	3/4	19	12	3/4-14	37	27
0370-12-16	3/4	19	12	1-11.1/2	43	36
0370-16-16	1	25.4	16	1-11.1/2	44	36
0370-16-20	1	25.4	16	1.1/4-11.1/2	46	46
0370-20-16	1.1/4	31.8	20	1-11.1/2	45	41
0370-20-20	1.1/4	31.8	20	1.1/4-11.1/2	47	46
0370-24-24	1.1/2	38.1	24	1.1/2-11.1/2	49	50
0370-32-32	2	50.8	32	2-11.1/2	55	65
0370-40-40	2.1/2	63,5	40	2.1/2-8	55	80
0370-48-48	3	76,2	48	3-8	58	90

037G

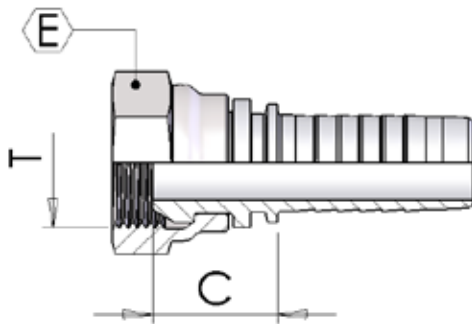
NPTF Male Parallel 60° Cone - Rotating



Part number	Hose I.D.		Dimensions			
			dash size	Thread T	Cut-Off C	Hex E
037G-04-04	1/4	6.4	04	1/4-18	39	19
037G-06-06	3/8	9.5	06	3/8-18	43	22
037G-08-08	1/2	12.7	08	1/2-14	49	27
037G-12-12	3/4	19	12	3/4-14	52	32

N051

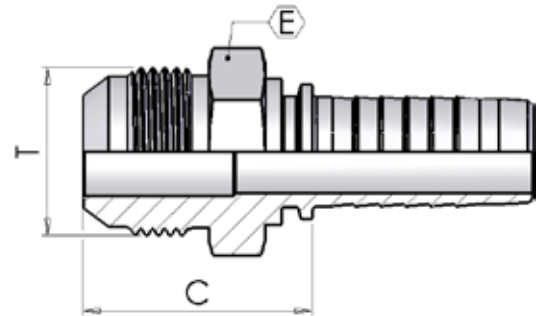
NPSM Female 60° Cone Rolled Nut



Part number	Hose I.D.		Dimensions			
			dash size	Thread T	Cut-Off C	Hex E
N051-03-04	3/16	4.8	03	1/4-18	17	19
N051-04-04	1/4	6.4	04	1/4-18	17	19
N051-06-06	3/8	9.5	06	3/8-18	19	22
N051-08-08	1/2	12.7	08	1/2-14	23	27

0850

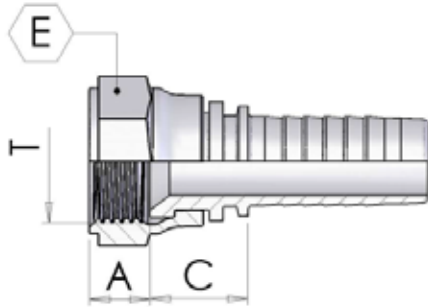
JIC Male 74° cone



Part number	Hose I.D.		Dimensions			
			dash	Thread	Cut-Off	Hex
	in	mm	size	T	C	E
0850-03-04	3/16	4.8	03	7/16-20	26	12
0850-04-04	1/4	6.4	04	7/16-20	27	12
0850-04-05	1/4	6.4	04	1/2-20	27	14
0850-04-06	1/4	6.4	04	9/16-18	27	15
0850-05-05	5/16	7.9	05	1/2-20	27	14
0850-05-06	5/16	7.9	05	9/16-18	27	15
0850-05-08	5/16	7.9	05	3/4-16	30	19
0850-06-06	3/8	9.5	06	9/16-18	27	15
0850-06-07	3/8	9.5	06	5/8-18	30	17
0850-06-08	3/8	9.5	06	3/4-16	30	19
0850-06-10	3/8	9.5	06	7/8-14	34	24
0850-08-06	1/2	12.7	08	9/16-18	28	19
0850-08-08	1/2	12.7	08	3/4-16	31	19
0850-08-10	1/2	12.7	08	7/8-14	35	24
0850-08-12	1/2	12.7	08	1.1/16-12	37	27
0850-10-10	5/8	15.9	10	7/8-14	35	24
0850-10-12	5/8	15.9	10	1.1/16-12	37	27
0850-12-10	3/4	19	12	7/8-14	36	24
0850-12-12	3/4	19	12	1.1/16-12	38	27
0850-12-14	3/4	19	12	1.3/16-12	41	32
0850-12-16	3/4	19	12	1.5/16-12	42	34
0850-12-20	3/4	19	12	1.5/8-12	45	42
0850-16-12	1	25.4	16	1.1/16-12	39	27
0850-16-14	1	25.4	16	1.3/16-12	42	32
0850-16-16	1	25.4	16	1.5/16-12	43	34
0850-16-20	1	25.4	16	1.5/8-12	46	42
0850-20-20	1.1/4	31.8	20	1.5/8-12	47	42
0850-20-24	1.1/4	31.8	20	1.7/8-12	52	50
0850-24-24	1.1/2	38.1	24	1.7/8-12	52	50
0850-32-32	2	50.8	32	2.1/2-12	62	65

0901

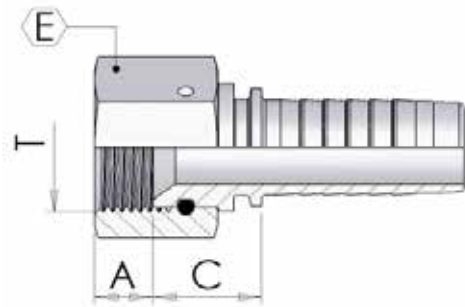
JIC Female 74° cone - Rolled Nut



Part number	Hose I.D.		Dimensions				
			dash	Thread	Cut-Off		Hex
	in	mm	size	T	C	A	E
0901-03-04	3/16	4.8	03	7/16-20	14	8.5	15
0901-03-05	3/16	4.8	03	1/2-20	14	9.5	17
0901-04-04	1/4	6.4	04	7/16-20	14	8.5	15
0901-04-05	1/4	6.4	04	1/2-20	15	9.5	17
0901-04-06	1/4	6.4	04	9/16-18	16	9	19
0901-04-07	1/4	6.4	04	5/8-18	17	11	22
0901-05-05	5/16	7.9	05	1/2-20	17	9.5	17
0901-05-06	5/16	7.9	05	9/16-18	16	9	19
0901-05-07	5/16	7.9	05	5/8-18	17	11	22
0901-05-08	5/16	7.9	05	3/4-16	17	10.5	24
0901-06-04	3/8	9.5	06	7/16-20	15	9	15
0901-06-05	3/8	9.5	06	1/2-20	15	9.5	17
0901-06-06	3/8	9.5	06	9/16-18	16	9	19
0901-06-07	3/8	9.5	06	5/8-18	16	11	22
0901-06-08	3/8	9.5	06	3/4-16	17	10.5	24
0901-06-10	3/8	9.5	06	7/8-14	21	13	27
0901-08-08	1/2	12.7	08	3/4-16	18	10.5	24
0901-08-10	1/2	12.7	08	7/8-14	19	13	27
0901-08-12	1/2	12.7	08	1.1/16-12	24	13.5	32
0901-10-10	5/8	15.9	10	7/8-14	19	13	27
0901-10-12	5/8	15.9	10	1.1/16-12	21	13.5	32
0901-12-10	3/4	19	12	7/8-14	20	13	27
0901-12-12	3/4	19	12	1.1/16-12	22	13.5	32
0901-12-14	3/4	19	12	1.3/16-12	23	14	36
0901-12-16	3/4	19	12	1.5/16-12	23	15.5	38
0901-16-12	1	25.4	16	1.1/16-12	23	13.5	32
0901-16-16	1	25.4	16	1.5/16-12	24	15.5	38

0900

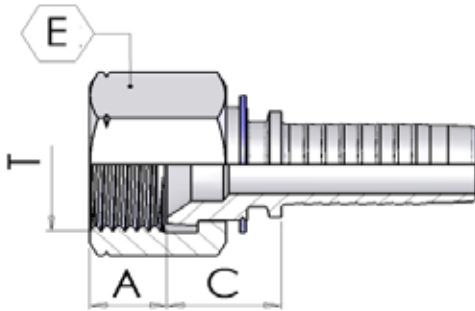
JIC Female 74° Thrust Wire Nut



Part number	Hose I.D.		Dimensions				
			dash	Thread	Cut-Off		Hex
	in	mm	size	T	C	A	E
0900-03-04	3/16	4.8	03	7/16-20	14	8.5	17
0900-04-04	1/4	6.4	04	7/16-20	14	8.5	17
0900-04-05	1/4	6.4	04	1/2-20	15	9.5	17
0900-04-06	1/4	6.4	04	9/16-18	16	9	19
0900-05-05	5/16	7.9	05	1/2-20	17	11	17
0900-05-06	5/16	7.9	05	9/16-18	16	9	19
0900-06-05	3/8	9.5	06	1/2-20	15	9.5	17
0900-06-06	3/8	9.5	06	9/16-18	16	9	19
0900-06-07	3/8	9.5	06	5/8-18	16	11	22
0900-06-08	3/8	9.5	06	3/4-16	17	10.5	24
0900-06-10	3/8	9.5	06	7/8-14	21	13	27
0900-08-08	1/2	12.7	08	3/4-16	18	10.5	24
0900-08-10	1/2	12.7	08	7/8-14	19	13	27
0900-08-12	1/2	12.7	08	1.1/16-12	21	13.5	32
0900-10-10	5/8	15.9	10	7/8-14	19	13	27
0900-10-12	5/8	15.9	10	1.1/16-12	21	13.5	32
0900-12-10	3/4	19	12	7/8-14	20	13	27
0900-12-12	3/4	19	12	1.1/16-12	22	13.5	32
0900-12-14	3/4	19	12	1.3/16-12	23	14	36
0900-12-16	3/4	19	12	1.5/16-12	23	15.5	41
0900-16-12	1	25.4	16	1.1/16-12	23	13.5	32
0900-16-14	1	25.4	16	1.3/16-12	24	14	36
0900-16-16	1	25.4	16	1.5/16-12	24	15.5	41
0900-16-20	1	25.4	16	1.5/8-12	27	16.5	50
0900-20-20	1.1/4	31.8	20	1.5/8-12	28	16.5	50
0900-20-24	1.1/4	31.8	20	1.7/8-12	31	19	55
0900-24-24	1.1/2	38.1	24	1.7/8-12	31	19	55
0900-32-32	2	50.8	32	2.1/2-12	31	20	70

0902

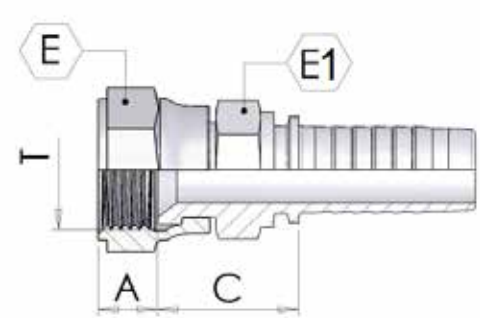
JIC Female 74° - Slip on nut



Part number	Hose I.D.		Dimensions				
			dash	Thread	Cut-Off		Hex
	in	mm	size	T	C	A	E
0902-04-05	1/4	6.4	04	1/2-20	17	9.5	17
0902-04-06	1/4	6.4	04	9/16-18	17	9	19
0902-05-06	5/16	7.9	05	9/16-18	16	9	19
0902-06-08	3/8	9.5	06	3/4-16	18	10.5	22
0902-08-10	1/2	12.7	08	7/8-14	20	13	27
0902-10-12	5/8	15.9	10	1.1/16-12	20	13.5	32
0902-12-16	3/4	19	12	1.5/16-12	21	15.5	38

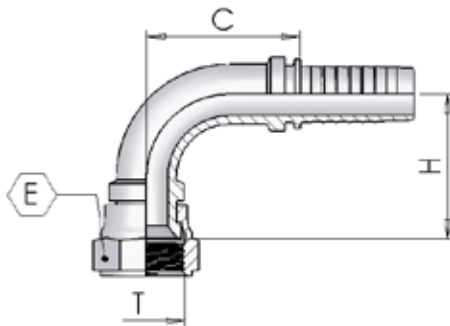
0901D

JIC Female 74° cone - Double hexagon



Part number	Hose I.D.	Dimensions					
		dash size	Thread T	A	C	Hex E	E1
0901D04-04	1/4	04	7/16-20	8.5	20	15	12
0901D04-05	1/4	04	1/2-20	9.5	20	17	14
0901D04-06	1/4	04	9/16-18	9	22	19	14
0901D05-06	5/16	05	9/16-18	9	22	19	15
0901D06-06	3/8	06	9/16-18	9	24	19	17
0901D06-08	3/8	06	3/4-16	10.5	26	24	19
0901D08-08	1/2	08	3/4-16	10.5	26	24	22
0901D08-10	1/2	08	7/8-14	13	27	27	22
0901D10-10	5/8	10	7/8-14	13	26	27	22
0901D10-12	5/8	10	1.1/16-12	13.5	27	32	27
0901D12-12	3/4	12	1.1/16-12	13.5	32	32	27
0901D16-16	1	16	1.5/16-12	15.5	33	38	36

0951

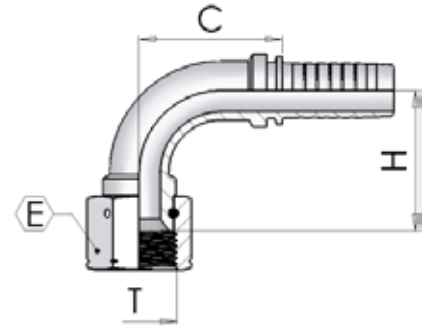


JIC 90° Swept Elbow 74° cone - Rolled Nut

Part number	Hose I.D.	Dimensions				
		dash size	Thread T	C	Hex E	Drop H
	in					
0951-03-04	3/16	03	7/16-20	22	15	22
0951-03-05	3/16	03	1/2-20	22	17	22
0951-04-04	1/4	04	7/16-20	25	15	24
0951-04-05	1/4	04	1/2-20	25	17	25
0951-04-06	1/4	04	9/16-18	25	19	27
0951-05-05	5/16	05	1/2-20	29	17	30
0951-05-06	5/16	05	9/16-18	29	19	31
0951-06-05	3/8	06	1/2-20	33	17	30
0951-06-06	3/8	06	9/16-18	31	19	32
0951-06-07	3/8	06	5/8-18	33	22	32
0951-06-08	3/8	06	3/4-16	33	24	34
0951-06-10	3/8	06	7/8-14	33	27	36
0951-08-08	1/2	08	3/4-16	41	24	41
0951-08-10	1/2	08	7/8-14	41	27	40
0951-08-12	1/2	08	1.1/16-12	39	32	43
0951-10-10	5/8	10	7/8-14	43	27	44
0951-10-12	5/8	10	1.1/16-12	45	32	47
0951-12-10	3/4	12	7/8-14	56	27	53
0951-12-12	3/4	12	1.1/16-12	56	32	54
0951-12-14	3/4	12	1.3/16-12	57	36	53
0951-12-16	3/4	12	1.5/16-12	55	38	56
0951-16-12	1	16	1.1/16-12	70	32	63
0951-16-16	1	16	1.5/16-12	70	38	65

0950

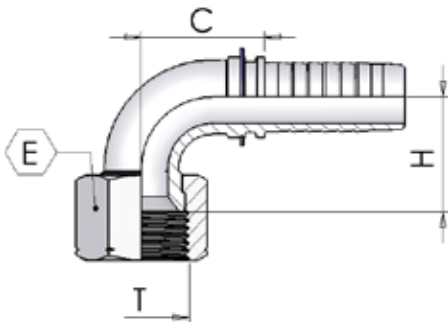
JIC 90° Swept Elbow 74° cone - Thrust Wire Nut



Part number	Hose I.D.	Dimensions				
		dash size	Thread T	C	Hex E	Drop H
0950-03-04	3/16	03	7/16-20	22	17	22
0950-04-04	1/4	04	7/16-20	25	17	24
0950-04-05	1/4	04	1/2-20	25	17	25
0950-04-06	1/4	04	9/16-18	25	19	27
0950-05-06	5/8	05	9/16-18	29	19	31
0950-05-08	5/8	05	3/4-16	29	24	41
0950-06-05	3/8	06	1/2-20	33	17	30
0950-06-06	3/8	06	9/16-18	31	19	32
0950-06-10	3/8	06	7/8-14	33	27	36
0950-08-08	1/2	08	3/4-16	41	24	41
0950-08-10	1/2	08	7/8-14	41	27	40
0950-08-12	1/2	08	1.1/16-12	39	32	43
0950-10-10	5/8	10	7/8-14	43	27	44
0950-10-12	5/8	10	1.1/16-12	45	32	47
0950-12-10	3/4	12	7/8-14	56	27	53
0950-12-12	3/4	12	1.1/16-12	56	32	54
0950-12-14	3/4	12	1.3/16-12	57	36	53
0950-12-16	3/4	12	1.5/16-12	55	41	56
0950-16-12	1	16	1.1/16-12	70	32	63
0950S16-14	1	16	1.3/16-12	62	36	69
0950-16-16	1	16	1.5/16-12	70	41	65
0950S16-20	1	16	1.5/8-12	62	50	69
0950-20-20	1.1/4	20	1.5/8-12	87	50	83
0950S20-24	1.1/4	24	1.7/8-12	81	55	88
0950-24-24	1.1/2	24	1.7/8-12	102	55	97
0950-32-32	2	32	2.1/2-12	124	70	134

0952

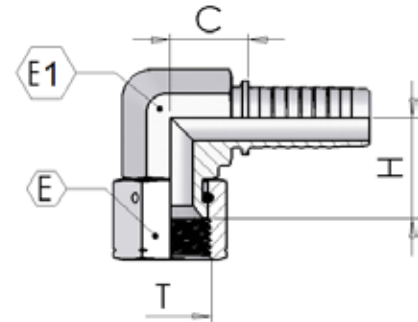
JIC 90° Swept Elbow 74° cone - Slip on nut



Part number	Hose I.D.	Dimensions				
		dash size	Thread T	C	Hex E	Drop H
0952-04-05	1/4	04	1/2-20	27	17	21
0952-04-06	1/4	04	9/16-18	26	19	21
0952-05-06	5/8	05	9/16-18	25	19	32
0952-06-08	3/8	06	3/4-16	35	22	26
0952-08-10	1/2	08	7/8-14	40	27	32
0952-10-12	5/8	10	1.1/16-12	47	32	37
0952-12-12	3/4	12	1.1/16-12	58	32	45
0952-12-16	3/4	12	1.5/16-12	56	38	57

2970

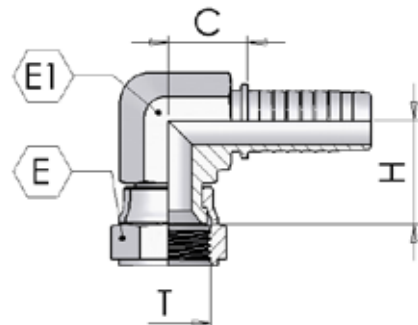
JIC 90° Compact Elbow 74° cone - Thrust Wire Nut



Part number	Hose I.D.	Dimensions					
		dash	Thread		Hex		Drop
	in	size	T	C	E	E1	H
2970-04-04	1/4	04	7/16-20	19	17	15	17
2970-04-05	1/4	04	1/2-20	19	17	15	18
2970-04-06	1/4	04	9/16-18	19	19	15	19
2970-05-06	5/16	05	9/16-18	20	19	17	20
2970-06-06	3/8	06	9/16-18	23	19	17	20
2970-06-07	3/8	06	5/8-18	23	22	17	21
2970-06-08	3/8	06	3/4-16	24	24	22	22
2970-08-08	1/2	08	3/4-16	26	24	22	23
2970-08-10	1/2	08	7/8-14	26	27	22	24
2970-12-12	3/4	12	1.1/16-12	32	32	27	29
2970-16-16	1	16	1.5/16-12	38	41	32	34

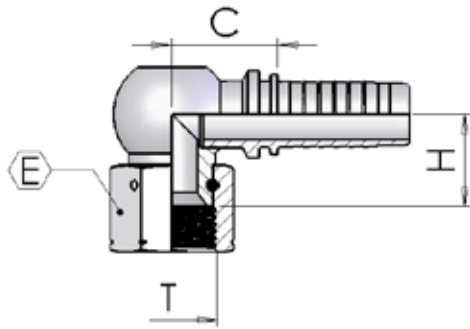
2971

JIC 90° Compact Elbow 74° cone - Crimped Nut



Part number	Hose I.D.	Dimensions					
		dash	Thread		Hex		Drop
	in	size	T	C	E	E1	H
2971-04-04	1/4	04	7/16-20	19	15	15	17
2971-04-05	1/4	04	1/2-20	19	17	15	18
2971-04-06	1/4	04	9/16-18	19	19	15	19
2971-05-06	5/16	05	9/16-18	20	19	17	20
2971-06-06	3/8	06	9/16-18	23	19	17	20
2971-06-08	3/8	06	3/4-16	24	24	22	22

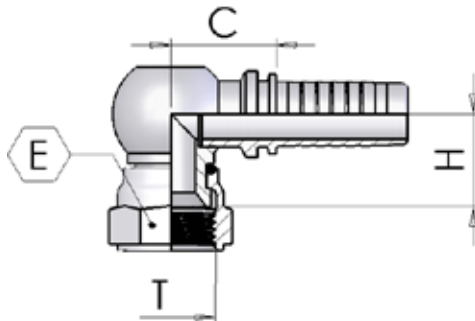
2950



JIC 90° Compact Elbow 74° cone - Thrust Wire Nut - Welded

Part number	Hose I.D.	Dimensions				
		dash size	Thread T	C	Hex E	Drop H
2950-10-10	5/8	10	7/8-14	28	27	26
2950-10-12	5/8	10	1.1/16-12	29	32	28

2951

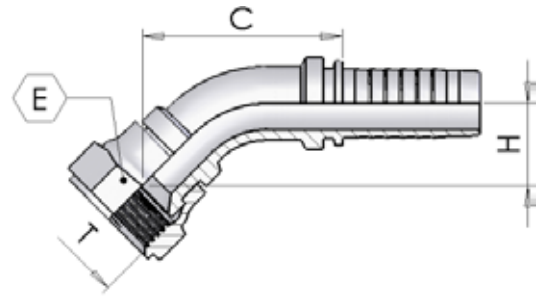


JIC 90° Compact Elbow 74° cone - Rolled Nut - Welded

Part number	Hose I.D.	Dimensions				
		dash size	Thread T	C	Hex E	Drop H
2951-10-10	5/8	10	7/8-14	28	27	26
2951-10-12	5/8	10	1.1/16-12	29	32	28

1001

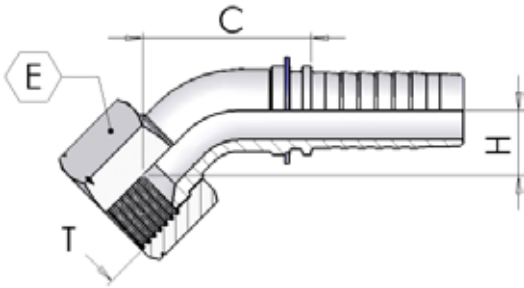
JIC 90° Swept Elbow 74° cone - Rolled Nut



Part number	Hose I.D.	Dimensions				
		dash size	Thread T	C	Hex E	Drop H
1001-03-04	3/16	03	7/16-20	33	15	15
1001-04-04	1/4	04	7/16-20	38	15	13
1001-04-05	1/4	04	1/2-20	40	17	14
1001-04-06	1/4	04	9/16-18	47	19	18
1001-05-05	5/16	05	1/2-20	16	17	17
1001-05-06	5/16	05	9/16-18	47	19	18
1001-06-05	3/8	06	1/2-20	51	17	17
1001-06-06	3/8	06	9/16-18	51	19	17
1001-06-07	3/8	06	5/8-18	51	22	17
1001-06-08	3/8	06	3/4-16	52	24	19
1001-06-10	3/8	06	7/8-14	54	27	21
1001-08-08	1/2	08	3/4-16	62	24	22
1001-08-10	1/2	08	7/8-14	64	27	23
1001-08-12	1/2	08	1.1/16-12	68	32	25
1001-10-10	5/8	10	7/8-14	68	27	24
1001-10-12	5/8	10	1.1/16-12	70	32	25
1001S12-10	3/4	12	7/8-14	83	27	27
1001-12-12	3/4	12	1.1/16-12	84	32	28
1001-12-14	3/4	12	1.3/16-12	84	36	29
1001-12-16	3/4	12	1.5/16-12	88	38	30
1001-16-16	1	16	1.5/16-12	104	38	33

1002

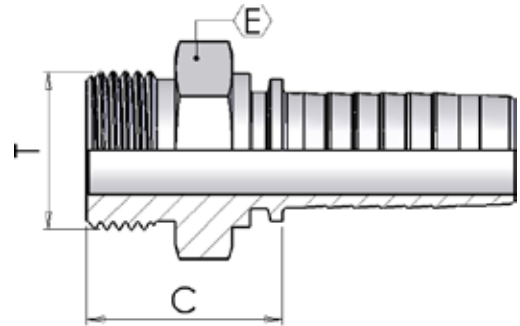
JIC 45° Swept Elbow 74° Cone Slipe on nut



Part number	Hose I.D.	Dimensions				
		dash size	Thread T	C	Hex E	Drop H
1002-04-05	1/4	04	1/2-20	38	17	11
1002-04-06	1/4	04	9/16-18	38	19	11
1002-05-06	5/16	05	9/16-18	49	19	20
1002-06-08	3/8	06	3/4-16	48	22	13
1002-08-10	1/2	08	7/8-14	58	27	16
1002-10-12	5/8	10	1.1/16-12	66	32	18
1002-12-12	3/4	12	1.1/16-12	81	32	21
1002-12-16	3/4	12	1.5/16-12	86	38	30

0385

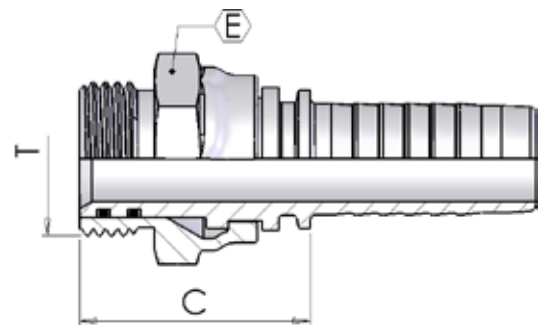
SAE Male O'R Flat Seat



Part number	Hose I.D.		Dimensions			
			dash	Thread	Cut-Off	Hex
	in	mm	size	T	C	E
0385-04-04	1/4	6.4	04	7/16-20	24	14
0385-04-06	1/4	6.4	04	9/16-18	24	17
0385-05-06	5/16	7.9	05	9/16-18	24	17
0385-06-06	3/8	9.5	06	9/16-18	25	17
0385-06-08	3/8	9.5	06	3/4-16	28	22
0385-08-08	1/2	12.7	08	3/4-16	28	22
0385-08-10	1/2	12.7	08	7/8-14	30	27
0385-08-12	1/2	12.7	08	1.1/16-12	32	32
0385-10-10	5/8	15.9	10	7/8-14	30	27
0385-10-12	5/8	15.9	10	1.1/16-12	32	32
0385-12-12	3/4	19	12	1.1/16-12	33	32

0390

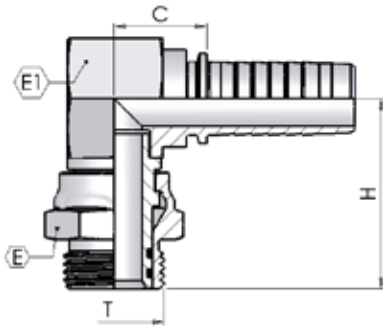
Swivel Male O'Ring



Part number	Hose I.D.		Dimensions			
			dash	Thread	Cut-Off	Hex
	in	mm	size	T	C	E
0390-08-10	1/2	12.7	08	7/8-14	39	27
0390-10-10	5/8	15.9	10	7/8-14	39	27
0390-12-12	3/4	19	12	1.1/16-12	43	32

0395

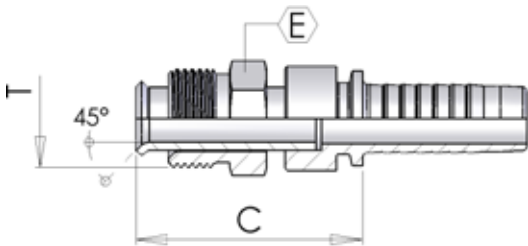
90° Swivel Male O'ring



Part number	Hose I.D.		Dimensions					
			dash	Thread	Cut-Off	Hex		Drop
	in	mm	size	T	C	E	E1	H
0395-08-10	1/2	12.7	08	7/8-14	21	27	27	48
0395-10-10	5/8	15.9	10	7/8-14	21	27	27	48
0395-12-12	3/4	19	12	1.1/16-12	25	32	32	52

IF00

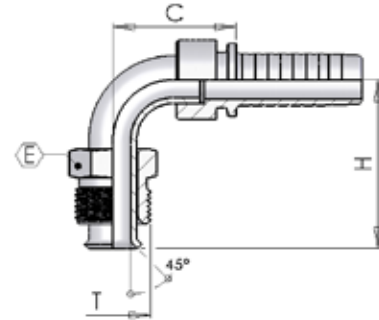
Straight Male Inverted Flare Swivel



Part number	Hose I.D.		Dimensions			
			dash	Thread	Cut-Off	Hex
	in	mm	size	T	C	E
IF00-04-04	1/4	6.4	04	7/16-24	38	12
IF00-04-05	1/4	6.4	04	1/2-20	55	14
IF00-05-04	5/8	7.9	05	7/16-24	56	12
IF00-05-05	5/8	7.9	05	1/2-20	56	14
IF00-05-07	5/8	7.9	05	5/8-18	56	17
IF00-06-04	3/8	9.5	06	7/16-24	56	12
IF00-06-05	3/8	9.5	06	1/2-20	56	14
IF00-06-07	3/8	9.5	06	5/8-18	57	17
IF00-06-09	3/8	9.5	06	11/16-18	42	19
IF00-08-08	1/2	12.7	08	3/4-18	60	19

IF90

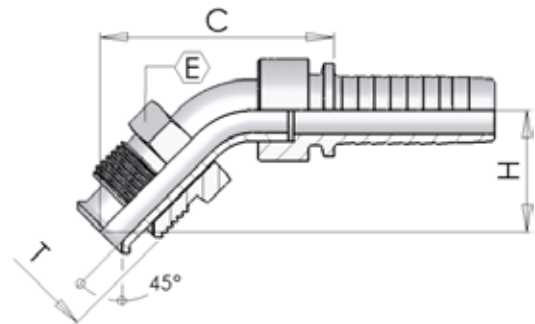
90° Male Inverted Flare Swivel



Part number	Hose I.D.		Dimensions				
			dash	Thread	Cut-Off	Hex	Drop
	in	mm	size	T	C	E	H
IF90-04-04	1/4	6.4	04	7/16-24	29	12	36
IF90-04-05	1/4	6.4	04	1/2-20	30	14	34
IF90-05-04	5/8	7.9	05	7/16-24	24	12	38
IF90-05-05	5/8	7.9	05	1/2-20	30	14	35
IF90-05-07	5/8	7.9	05	5/8-18	30	17	43
IF90-06-04	3/8	9.5	06	7/16-24	30	12	35
IF90-06-05	3/8	9.5	06	1/2-20	30	14	35
IF90-06-07	3/8	9.5	06	5/8-18	31	17	44
IF90-06-09	3/8	9.5	06	11/16-18	31	19	42
IF90-08-08	1/2	12.7	08	3/4-18	35	19	45

IF45

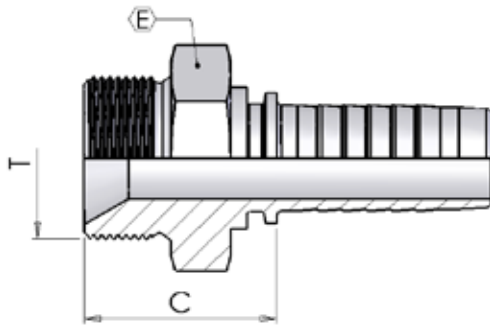
45° Male Inverted Flare Swivel



Part number	Hose I.D.		Dimensions				
			dash	Thread	Cut-Off	Hex	Drop
	in	mm	size	T	C	E	H
IF45-06-04	3/8	9.5	06	7/16-24	48	12	25
IF45-06-05	3/8	9.5	06	1/2-20	48	14	25
IF45-06-07	3/8	9.5	06	5/8-18	54	17	30
IF45-06-09	3/8	9.5	06	11/16-18	54	19	30

0400

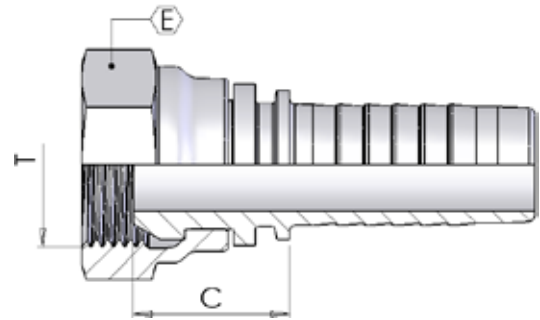
Metric Male 60° cone



Part number	Hose I.D.		Dimensions			
			dash	Thread	Cut-Off	Hex
			size	T	C	E
0400-03-10	3/16	4.8	03	M10-1	19	14
0400-03-12	3/16	4.8	03	M12-1.5	25	17
0400-04-10	1/4	6.4	04	M10-1	20	14
0400-04-12	1/4	6.4	04	M12-1.5	26	17
0400-04-14	1/4	6.4	04	M14-1.5	26	19
0400-04-16	1/4	6.4	04	M16-1.5	26	22
0400-05-12	5/16	7.9	05	M12-1.5	26	17
0400-05-16	5/16	7.9	05	M16-1.5	26	22
0400-05-18	5/16	7.9	05	M18-1.5	26	24
0400-06-14	3/8	9.5	06	M14-1.5	26	19
0400-06-16	3/8	9.5	06	M16-1.5	26	22
0400-06-18	3/8	9.5	06	M18-1.5	27	24
0400-06-22	3/8	9.5	06	M22-1.5	27	27
0400-08-18	1/2	12.7	08	M18-1.5	28	24
0400-08-22	1/2	12.7	08	M22-1.5	30	27
0400-10-26	5/8	15.9	10	M26-1.5	32	32
0400-12-26	3/4	19	12	M26-1.5	33	32
0400-12-30	3/4	19	12	M30-1.5	36	36
0400-16-38	1	25.4	16	M38-1.5	37	46
0400-20-45	1.1/4	31.8	20	M45-1.5	39	55

0100

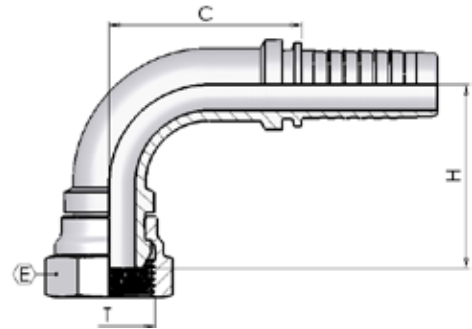
Metric Female 60° cone



Part number	Hose I.D.		Dimensions			
			dash	Thread	Cut-Off	Hex
	in	mm	size	T	C	E
0100-12-30	3/4	19	12	M30-1.5	23	36
0100-16-38	1	25.4	16	M38-1.5	33	46
0100-20-45	1.1/4	31.8	20	M45-1.5	34	50
0100-24-52	1.1/2	38	24	M52x1,5	35	60
0100-32-65	2	50.8	32	M65-2	31	75

0200

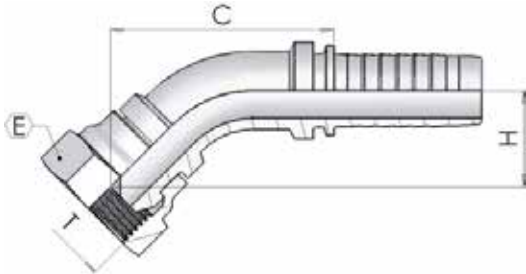
90° Metric Swept Elbow 60° cone



Part number	Hose I.D.		Dimensions				
			dash	Thread	Cut-Off	Hex	Drop
	in	mm	size	T	C	E	H
0200S12-30	3/4	19	12	M30-1.5	48	36	57
0200S20-45	1.1/4	31.8	20	M45-1.5	63	50	71
0200-16-38	1	25.4	16	M38-1.5	70	46	71

0300

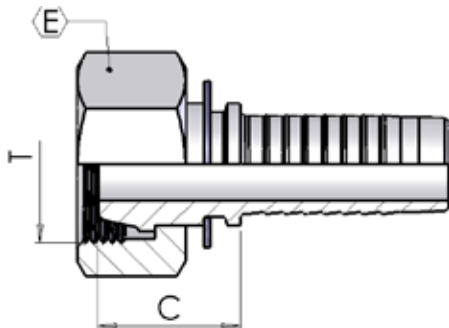
45° Metric Swept Elbow 60° cone



Part number	Hose I.D.		Dimensions				
			dash	Thread	Cut-Off	Hex	Drop
	in	mm	size	T	C	E	H
0300S12-30	3/4	19	12	M30-1.5	57	36	27
0300S20-45	1.1/4	31.8	20	M45-1.5	73	50	27
0300-16-38	1	25.4	16	M38-1.5	109	46	38

0035

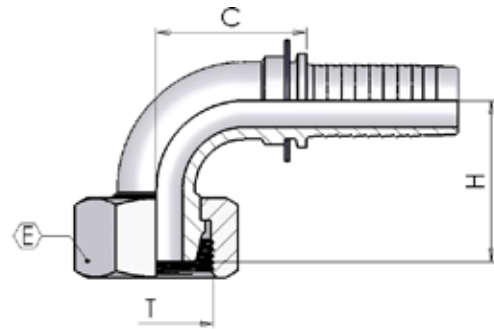
Metric Female 24° Seat Light Multiseal



Part number	Hose I.D.		Dimensions				
			dash	Thread		Cut-Off	Hex
	in	mm	size	T	Erm	C	E
0035-03-12	3/16	4.8	03	M12-1.5	6	19	14
0035-03-16	3/16	4.8	03	M16-1.5	10	18	19
0035-04-14	1/4	6.4	04	M14-1.5	8	19	17
0035-04-16	1/4	6.4	04	M16-1.5	10	19	19
0035-05-16	5/16	7.9	05	M16-1.5	10	19	19
0035-05-18	5/16	7.9	05	M18-1.5	12	21	22
0035-06-18	3/8	9.5	06	M18-1.5	12	23	22
0035-06-22	3/8	9.5	06	M22-1.5	15	22	27
0035-08-22	1/2	12.7	08	M22-1.5	15	22	27
0035-08-26	1/2	12.7	08	M26-1.5	18	24	32
0035-10-26	5/8	15.9	10	M26-1.5	18	24	32

0135

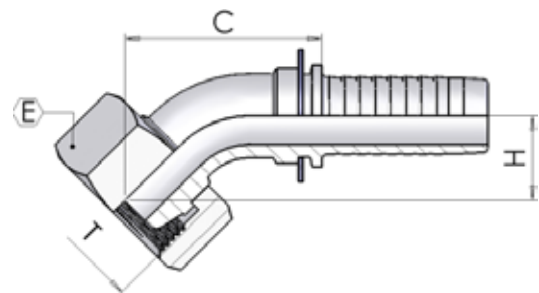
90° Metric Swept Elbow 24° Seat Light Multiseal



Part number	Hose I.D.		Dimensions					
			dash	Thread		Cut-Off	Hex	Drop
	in	mm	size	T	Erm	C	E	H
0135-04-14	1/4	6.4	04	M14-1.5	8	25	17	25
0135-04-16	1/4	6.4	04	M16-1.5	10	26	19	24
0135-05-16	5/16	7.9	05	M16-1.5	10	32	19	29
0135-05-18	5/16	7.9	05	M18-1.5	12	31	22	30
0135-06-18	3/8	9.5	06	M18-1.5	12	32	22	33
0135-06-22	3/8	9.5	06	M22-1.5	15	33	27	34
0135-08-22	1/2	12.7	08	M22-1.5	15	41	27	38
0135-10-26	5/8	15.9	10	M26-1.5	18	46	32	42

0235

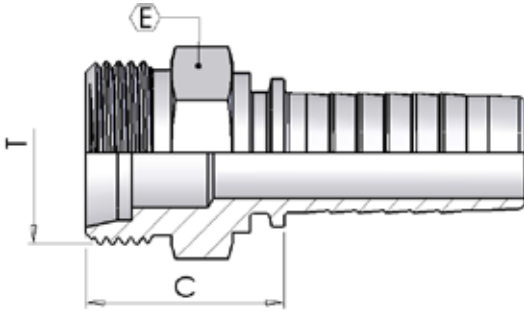
45° Metric Swept Elbow 24° Seat Light Multiseal



Part number	Hose I.D.		Dimensions					
			dash	Thread		Cut-Off	Hex	Drop
	in	mm	size	T	Erm	C	E	H
0235-04-12	1/4	6.4	04	M12-1.5	6	36	14	15
0235-04-14	1/4	6.4	04	M14-1.5	8	40	17	14
0235-04-16	1/4	6.4	04	M16-1.5	10	37	19	16
0235-05-16	5/16	7.9	05	M16-1.5	10	47	19	14
0235-05-18	5/16	7.9	05	M18-1.5	12	49	22	16
0235-06-18	3/8	9.5	06	M18-1.5	12	50	22	16
0235-08-22	1/2	12.7	08	M22-1.5	15	61	27	21

0500

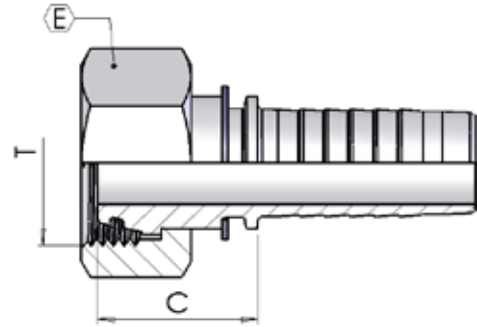
Metric Male 24° Seat Light



Part number	Hose I.D.		Dimensions				
			dash	Thread		Cut-Off	Hex
	in	mm	size	T	Erm	C	E
0500-03-12	3/16	4.8	03	M12-1.5	6	22	14
0500-04-12	1/4	6.4	04	M12-1.5	6	23	14
0500-04-14	1/4	6.4	04	M14-1.5	8	22	14
0500-04-16	1/4	6.4	04	M16-1.5	10	23	17
0500-04-18	1/4	6.4	04	M18-1.5	12	24	19
0500-05-14	5/16	7.9	05	M14-1.5	8	22	14
0500-05-16	5/16	7.9	05	M16-1.5	10	23	17
0500-05-18	5/16	7.9	05	M18-1.5	12	24	19
0500-05-22	5/16	7.9	05	M22-1.5	15	25	22
0500-06-16	3/8	9.5	06	M16-1.5	10	23	17
0500-06-18	3/8	9.5	06	M18-1.5	12	24	19
0500-06-22	3/8	9.5	06	M22-1.5	15	25	22
0500-08-18	1/2	12.7	08	M18-1.5	12	25	19
0500-08-22	1/2	12.7	08	M22-1.5	15	26	22
0500-08-26	1/2	12.7	08	M26-1.5	18	27	27
0500-10-22	5/8	15.9	10	M22-1.5	15	26	22
0500-10-26	5/8	15.9	10	M26-1.5	18	27	27
0500-10-30	5/8	15.9	10	M30-2	22	32	30
0500-12-26	3/4	19	12	M26-1.5	18	28	27
0500-12-30	3/4	19	12	M30-2	22	33	30
0500-16-36	1	25.4	16	M36-2	28	32	36
0500-20-45	1.1/4	31.8	20	M45-2	35	36	46
0500-24-52	1.1/2	38.1	24	M52-2	42	38	55

0085

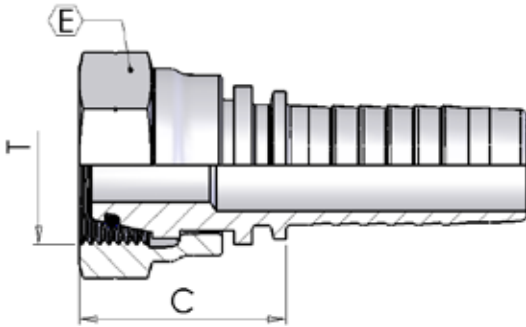
Metric Female 24° Seat Light



Part number	Hose I.D.		Dimensions				
			dash	Thread		Cut-Off	Hex
	in	mm	size	T	Erm	C	E
0085-03-12	3/16	4.8	03	M12-1.5	6	23	14
0085-04-14	1/4	6.4	04	M14-1.5	8	24	17
0085-04-16	1/4	6.4	04	M16-1.5	10	24	19
0085-04-18	1/4	6.4	04	M18-1.5	12	25	22
0085-05-16	5/16	7.9	05	M16-1.5	10	24	19
0085-05-18	5/16	7.9	05	M18-1.5	12	25	22
0085-06-18	3/8	9.5	06	M18-1.5	12	25	22
0085-06-22	3/8	9.5	06	M22-1.5	15	29	27
0085-08-22	1/2	12.7	08	M22-1.5	15	29	27
0085-08-26	1/2	12.7	08	M26-1.5	18	29	32
0085-10-26	5/8	15.9	10	M26-1.5	18	29	32
0085-10-30	5/8	15.9	12	M30-2	22	29	36
0085-12-30	3/4	19	12	M30-2	22	29	36
0085-12-36	3/4	19	12	M36-2	28	28	41
0085-16-36	1	25.4	16	M36-2	28	30	41
0085-20-45	1.1/4	31.8	20	M45-2	35	40	50
0085-24-52	1.1/2	38.1	24	M52-2	42	41	60

0085_R

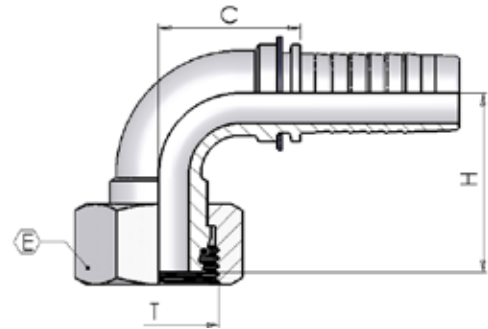
Metric Female 24° Seat Light (rolled nut)



Part number	Hose I.D.		Dimensions				
			dash	Thread		Cut-Off	Hex
	in	mm	size	T	Erm	C	E
0085_R-04-12	1/4	6.4	04	M12-1.5	6	25	14
0085_R-05-14	5/16	7.9	05	M14-1.5	8	26	19
0085_R-06-16	3/8	9.5	06	M16-1.5	10	25	19
0085_R-08-18	1/2	12.7	08	M18-1.5	12	28	24
0085_R-10-22	5/8	15.9	10	M22-1.5	15	32	27
0085_R-12-26	3/4	19	12	M26-1.5	18	36	32

0185

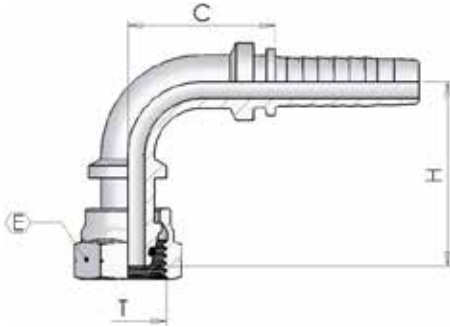
90° Metric Swept Elbow 24° Seat Light



Part number	Hose I.D.		Dimensions					
			dash	Thread		Cut-Off	Hex	Drop
	in	mm	size	T	Erm	C	E	H
0185-03-12	3/16	4.8	03	M12-1.5	6	22	14	23
0185-04-14	1/4	6.4	04	M14-1.5	8	26	17	26
0185-04-16	1/4	6.4	04	M16-1.5	10	25	19	27
0185-04-18	1/4	6.4	04	M18-1.5	12	27	22	30
0185-05-16	5/16	7.9	05	M16-1.5	10	31	19	31
0185-05-18	5/16	7.9	05	M18-1.5	12	31	22	32
0185-06-18	3/8	9.5	06	M18-1.5	12	32	22	35
0185-06-22	3/8	9.5	06	M22-1.5	15	32	27	35
0185-08-22	1/2	12.7	08	M22-1.5	15	41	27	38
0185-08-26	1/2	12.7	08	M26-1.5	18	41	32	39
0185-10-26	5/8	15.9	10	M26-1.5	18	44	32	44
0185S12-26	3/4	19	12	M26-1.5	18	42	32	44
0185-12-30	3/4	19	12	M30-2	22	58	36	52
0185S12-36	3/4	19	12	M36-2	28	49	41	51
0185-16-36	1	25.4	16	M36-2	28	72	41	62
0185S20-45	1.1/4	31.8	20	M45-2	35	63	50	73
0185S24-52	1.1/2	38.1	24	M52-2	42	81	60	83

0185_R

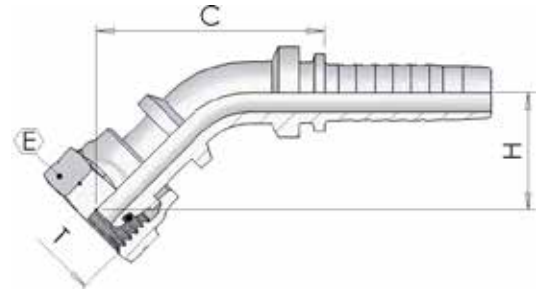
90° Metric Swept Elbow 24° Seat Light (rolled nut)



Part number	Hose I.D.		Dimensions					
			dash	Thread		Cut-Off	Hex	Drop
	in	mm	size	T	Erm	C	E	H
0185_R-04-12	1/4	6.4	04	M12-1.5	6	26	14	34
0185_R-05-14	5/16	7.9	05	M14-1.5	8	30	17	38
0185_R-06-16	3/8	9.5	06	M16-1.5	10	32	19	39
0185_RS08-18	1/2	12.7	08	M18-1.5	12	33	24	48
0185_R-10-22	5/8	15.9	08	M22-1.5	15	42	27	55

0285

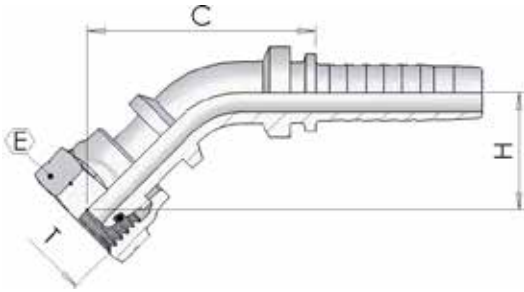
45° Metric Swept Elbow 24° Seat Light



Part number	Hose I.D.		Dimensions					
			dash	Thread	Erm	Cut-Off	Hex	Drop
			size	T		C	E	H
0285-03-12	3/16	4.8	03	M12-1.5	6	36	14	14
0285-04-14	1/4	6.4	04	M14-1.5	8	42	17	14
0285-04-16	1/4	6.4	04	M16-1.5	10	42	19	15
0285-04-18	1/4	6.4	04	M18-1.5	12	43	22	16
0285-05-16	5/16	7.9	05	M16-1.5	10	48	19	17
0285-05-18	5/16	7.9	05	M18-1.5	12	48	22	18
0285-06-18	3/8	9.5	06	M18-1.5	12	52	22	19
0285-06-22	3/8	9.5	06	M22-1.5	15	51	27	19
0285-08-22	1/2	12.7	08	M22-1.5	15	63	27	21
0285S08-26	1/2	12.7	08	M26-1.5	18	44	32	17
0285-10-26	5/8	15.9	10	M26-1.5	18	68	32	23
0285S12-26	3/4	19	12	M26-1.5	18	43	32	19
0285-12-30	3/4	19	12	M30-2	22	85	36	27
0285-16-36	1	25.4	16	M36-2	28	102	41	32
0285S20-45	1.1/4	31.8	20	M45-2	35	72	50	34
0285S24-52	1.1/2	38.1	24	M52-2	42	85	60	36

0285_R

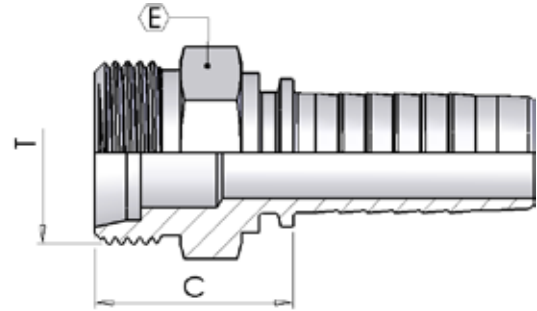
45° Metric Swept Elbow 24° Seat Light (rolled nut)



Part number	Hose I.D.		Dimensions					
			dash	Thread		Cut-Off	Hex	Drop
	in	mm	size	T	Erm	C	E	H
0285_R-04-12	1/4	6.4	04	M12-1.5	6	46	14	20
0285_R-06-16	3/8	9.5	06	M16-1.5	10	55	19	22

0450

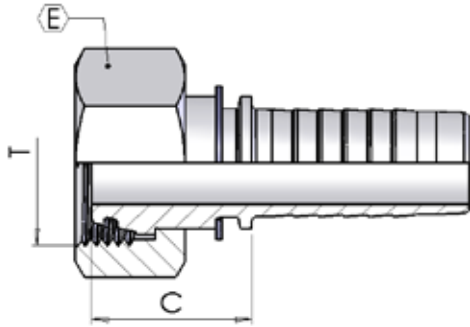
Metric Male 24° Seat Heavy



Part number	Hose I.D.		Dimensions				
			dash	Thread		Cut-Off	Hex
	in	mm	size	T	Erm	C	E
0450-03-16	3/16	4.8	03	M16-1.5	8	26	17
0450-04-14	1/4	6.4	04	M14-1.5	6	25	14
0450-04-16	1/4	6.4	04	M16-1.5	8	27	17
0450-04-18	1/4	6.4	04	M18-1.5	10	27	19
0450-05-18	5/16	7.9	05	M18-1.5	10	27	19
0450-05-20	5/16	7.9	05	M20-1.5	12	29	22
0450-06-18	3/8	9.5	06	M18-1.5	10	27	19
0450-06-20	3/8	9.5	06	M20-1.5	12	29	22
0450-06-22	3/8	9.5	06	M22-1.5	14	31	22
0450-06-24	3/8	9.5	06	M24-1.5	16	31	24
0450-08-24	1/2	12.7	08	M24-1.5	16	32	24
0450-10-30	5/8	15.9	10	M30-2	20	34	30
0450-12-30	3/4	19	12	M30-2	20	35	30
0450-12-36	3/4	19	12	M36-2	25	38	36
0450-16-36	1	25.4	16	M36-2	25	39	36
0450-16-42	1	25.4	16	M42-2	30	42	46
0450-20-42	1.1/4	31.8	20	M42-2	30	43	46
0450-20-52	1.1/4	31.8	20	M52-2	38	45	55
0450-24-52	1.1/2	38.1	24	M52-2	38	45	55

0084

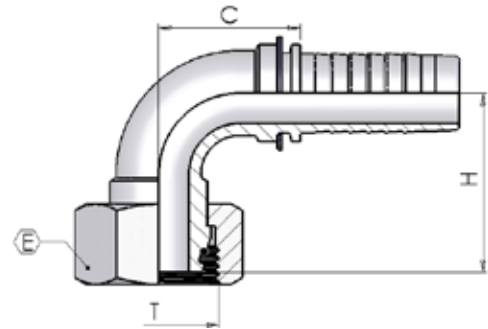
Metric Female 24° Seat Heavy



Part number	Hose I.D.		Dimensions				
			dash	Thread		Cut-Off	Hex
	in	mm	size	T	Erm	C	E
0084-03-16	3/16	4.8	03	M16-1.5	8	25	19
0084-04-14	1/4	6.4	04	M14-1.5	6	23	17
0084-04-16	1/4	6.4	04	M16-1.5	8	25	19
0084-04-18	1/4	6.4	04	M18-1.5	10	24	22
0084-05-18	5/16	7.9	05	M18-1.5	10	24	22
0084-05-20	5/16	7.9	05	M20-1.5	12	26	24
0084-06-18	3/8	9.5	06	M18-1.5	10	25	22
0084-06-20	3/8	9.5	06	M20-1.5	12	25	24
0084-06-22	3/8	9.5	06	M22-1.5	14	29	27
0084-08-22	1/2	12.7	08	M22-1.5	14	17	27
0084-08-24	1/2	12.7	08	M24-1.5	16	30	30
0084-08-30	1/2	12.7	08	M30-2	20	33	36
0084-10-30	5/8	15.9	10	M30-2	20	33	36
0084-12-30	3/4	19	12	M30-2	20	34	36
0084-12-36	3/4	19	12	M36-2	25	40	46
0084-16-36	1	25.4	16	M36-2	25	41	46
0084-16-42	1	25.4	16	M42-2	30	43	50
0084-20-52	1.1/4	31.8	20	M52-2	38	44	60
0084-24-52	1.1/2	38.1	24	M52-2	38	44	60

0184

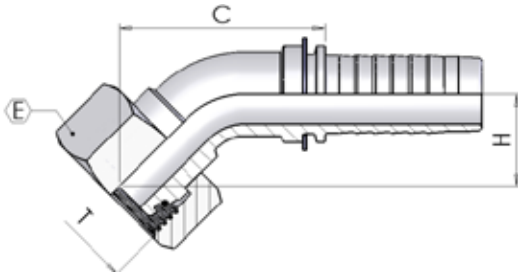
90° Metric Swept Elbow 24° Seat Heavy



Part number	Hose I.D.		Dimensions					
			dash	Thread		Cut-Off	Hex	Drop
	in	mm	size	T	Erm	C	E	H
0184-03-16	3/16	4.8	03	M16-1.5	8	22	19	25
0184-04-14	1/4	6.4	04	M14-1.5	6	27	17	26
0184-04-16	1/4	6.4	04	M16-1.5	8	26	19	26
0184-04-18	1/4	6.4	04	M18-1.5	10	27	22	31
0184-04-20	1/4	6.4	04	M20-1.5	12	27	24	30
0184-05-18	5/16	7.9	05	M18-1.5	10	33	22	33
0184-05-20	5/16	7.9	05	M20-1.5	12	30	24	34
0184-06-18	3/8	9.5	06	M18-1.5	10	34	22	35
0184-06-20	3/8	9.5	06	M20-1.5	12	34	24	34
0184-06-22	3/8	9.5	06	M22-1.5	14	33	27	33
0184-08-24	1/2	12.7	08	M24-1.5	16	40	30	41
0184-10-24	5/8	15.9	10	M24-1.5	16	42	30	60
0184-10-30	5/8	15.9	10	M30-2	20	46	36	50
0184-12-30	3/4	19	12	M30-2	20	58	36	56
0184-12-36	3/4	19	12	M36-2	25	56	46	59
0184-16-36	1	25.4	16	M36-2	25	69	46	67
0184-16-42	1	25.4	16	M42-2	30	69	50	67
0184-20-52	1.1/4	31.8	20	M52-2	38	84	60	82
0184-24-52	1.1/2	38.1	24	M52-2	38	99	60	94

0284

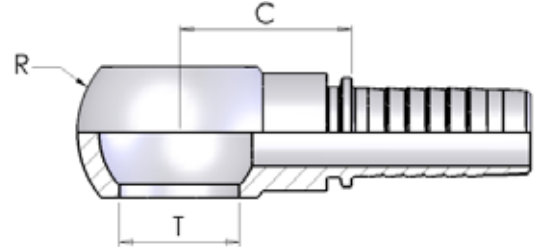
45° Metric Swept Elbow 24° Seat Heavy



Part number	Hose I.D.		Dimensions					
			dash	Thread		Cut-Off	Hex	Drop
	in	mm	size	T	Erm	C	E	H
0284-03-16	3/16	4.8	03	M16-1.5	8	36	19	16
0284-04-14	1/4	6.4	04	M14-1.5	6	37	17	15
0284-04-16	1/4	6.4	04	M16-1.5	8	42	19	15
0284-04-18	1/4	6.4	04	M18-1.5	10	45	22	18
0284-05-20	5/16	7.9	05	M20-1.5	12	49	24	19
0284-06-18	3/8	9.5	06	M18-1.5	10	51	22	19
0284-06-20	3/8	9.5	06	M20-1.5	12	53	24	18
0284-06-22	3/8	9.5	06	M22-1.5	14	54	27	20
0284-08-24	1/2	12.7	08	M24-1.5	16	63	30	21
0284-10-30	5/8	15.9	10	M30-2	20	74	36	29
0284-12-30	3/4	19	12	M30-2	20	87	36	30
0284-12-36	3/4	19	12	M36-2	25	56	46	31
0284-16-36	1	25.4	16	M36-2	25	105	46	34
0284-16-42	1	25.4	16	M42-2	30	82	50	33
0284-20-52	1.1/4	31.8	20	M52-2	38	105	60	39
0284-24-52	1.1/2	38.1	24	M52-2	38	157	60	52

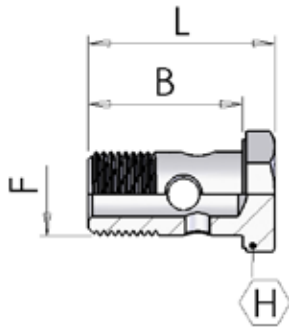
1350

Metric Banjo



Part number	Hose I.D.		Dimensions			
			dash		Cut-Off	
	in	mm	size	mm	C	R
1350-03-10	3/16	4.8	03	10.2	25	17
1350-03-12	3/16	4.8	03	12.2	21	20
1350-04-10	1/4	6.4	04	10.2	25	17
1350-04-12	1/4	6.4	04	12.2	22	20
1350-04-14	1/4	6.4	04	14.2	25	24
1350-05-14	5/16	7.9	05	14.2	25	24
1350-05-16	5/16	7.9	05	16.2	31	28
1350-05-18	5/16	7.9	05	18.2	29	32
1350-06-14	3/8	9.5	06	14.2	25	24
1350-06-16	3/8	9.5	06	16.2	31	28
1350-06-18	3/8	9.5	06	18.2	29	32
1350-06-22	3/8	9.5	06	22.2	31	36
1350-08-16	1/2	12.7	08	16.2	30	28
1350-08-18	1/2	12.7	08	18.2	29	32
1350-08-22	1/2	12.7	08	22.2	31	36
1350-10-22	5/8	15.9	10	22.2	31	36
1350-10-26	5/8	15.9	10	26.5	38	45
1350-12-22	3/4	19	12	22.2	32	36

1650

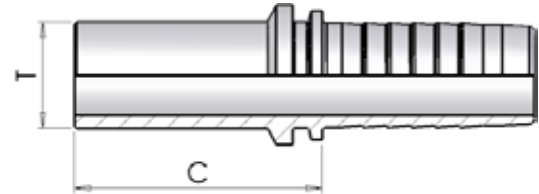


Metric perfored bolt

Part number	Dimensions			Drop
	B	F	L	
1650-00-10	19	M10-1	24	14
1650-00-12	26	M12-1.5	31	17
1650-00-14	29	M14-1.5	34	19
1650-00-16	33	M16-1.5	41	22
1650-00-18	37	M18-1.5	44	24
1650-00-20	38	M20-1.5	46	27
1650-00-22	38	M22-1.5	46	27
1650-00-26	47	M26-1.5	56	32
1650-00-30	58	M30-1.5	68	36

0550

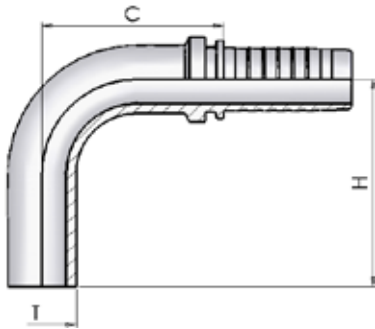
Metric Standpipe



Part number	Hose I.D.		Dimensions			
			dash	pipe		Cut-Off
	in	mm	size	T	Type	C
0550-03-06	3/16	4.8	03	6	L/S	30
0550-03-08	3/16	4.8	03	8	L/S	29
0550-04-06	1/4	6.4	04	6	L/S	32
0550-04-08	1/4	6.4	04	8	L/S	30
0550-04-10	1/4	6.4	04	10	L/S	33
0550-04-12	1/4	6.4	04	12	L/S	30
0550-05-08	5/16	7.9	05	08	L/S	31
0550-05-10	5/16	7.9	05	10	L/S	31
0550-05-12	5/16	7.9	05	12	L/S	33
0550-06-08	3/8	9.5	06	08	L/S	33
0550-06-10	3/8	9.5	06	10	L/S	33
0550-06-12	3/8	9.5	06	12	L/S	32
0550-06-14	3/8	9.5	06	14	S	37
0550-06-15	3/8	9.5	06	15	L	32
0550-08-12	1/2	12.7	08	12	L/S	36
0550-08-14	1/2	12.7	08	14	S	39
0550-08-15	1/2	12.7	08	15	L	34
0550-08-16	1/2	12.7	08	16	S	39
0550-08-18	1/2	12.7	08	18	L	35
0550-08-20	1/2	12.7	08	20	S	45
0550-10-18	5/8	15.9	10	18	L	35
0550-10-20	5/8	15.9	10	20	S	45
0550-10-22	5/8	15.9	10	22	L	33
0550-12-18	3/4	19	12	18	L	37
0550-12-20	3/4	19	12	20	S	46
0550-12-22	3/4	19	12	22	L	38
0550-12-25	3/4	19	12	25	S	49
0550-12-28	3/4	19	12	28	L	40
0550-16-25	1	25.4	16	25	S	51
0550-16-28	1	25.4	16	28	L	41
0550-16-30	1	25.4	16	30	S	54
0550-16-38	1	25.4	16	38	S	60
0550-20-30	1.1/4	31.8	20	30	S	58
0550-20-35	1.1/4	31.8	20	35	L	48
0550-20-38	1.1/4	31.8	20	38	S	62
0550-24-38	1.1/2	38.1	24	38	S	63
0550-24-42	1.1/2	38.1	24	42	L	50

0650

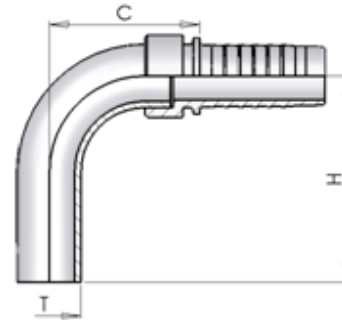
90° Metric Standpipe



Part number	Hose I.D.		Dimensions				
			dash	pipe		Cut-Off	Drop
	in	mm	size	T	Type	C	H
0650-03-06	3/16	4.8	03	6	L/S	20	32
0650-04-06	1/4	6.4	04	6	L/S	23	32
0650-04-08	1/4	6.4	04	8	L/S	25	34
0650-04-10	1/4	6.4	04	10	L/S	25	43
0650-05-10	5/16	7.9	05	10	L/S	29	40
0650-05-12	5/16	7.9	05	12	L/S	29	45
0650-06-10	3/8	9.5	06	10	L/S	27	40
0650-06-12	3/8	9.5	06	12	L/S	30	44

0650S

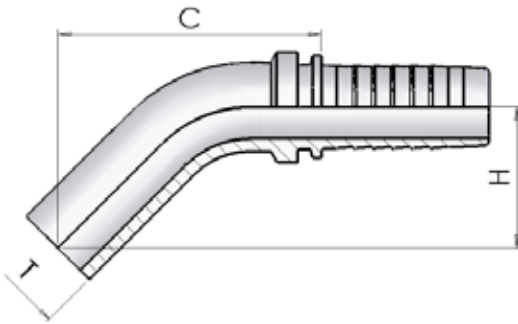
90° Metric Standpipe (welded)



Part number	Hose I.D.		Dimensions				
			dash	pipe		Cut-Off	Drop
	in	mm	size	T	Type	C	H
0650S06-15	3/8	9.5	06	15	L	39	52
0650S03-08	3/16	4.8	03	8	L/S	25	41
0650S04-12	1/4	6.4	04	12	L/S	35	44
0650S05-08	5/16	7.9	05	8	L/S	27	41
0650S06-14	3/8	9.5	06	14	S	36	46
0650S08-12	1/2	12.7	08	12	L/S	33	44
0650S08-14	1/2	12.7	08	14	S	36	46
0650S08-15	1/2	12.7	08	15	L	39	52
0650S08-16	1/2	12.7	08	16	S	42	56
0650S08-18	1/2	12.7	08	18	L	42	56
0650S10-18	5/8	15.9	10	18	L	42	56
0650S10-20	5/8	15.9	10	20	S	48	65
0650S10-22	5/8	15.9	10	22	L	51	71
0650S12-20	3/4	19	12	20	S	48	65
0650S12-22	3/4	19	12	22	L	51	71
0650S12-25	3/4	19	12	25	S	57	75
0650S16-25	1	25.4	16	25	S	57	75
0650S16-28	1	25.4	16	28	L	60	89
0650S16-30	1	25.4	16	30	S	65	89
0650S20-30	1.1/4	31.8	20	30	S	66	89
0650S20-35	1.1/4	31.8	20	35	L	76	98
0650S20-38	1.1/4	31.8	20	38	S	83	102
0650S24-38	1.1/2	38.1	24	38	S	82	102
0650S24-42	1.1/2	38.1	24	42	L	106	125

0750

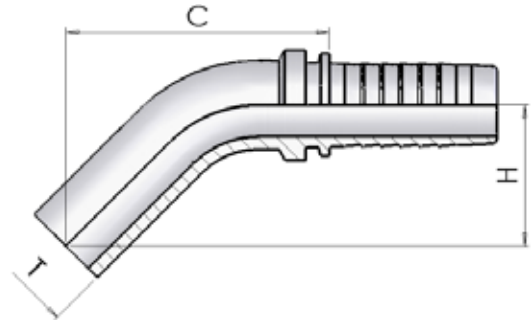
45° Metric Standpipe



Part number	Hose I.D.		Dimensions				
			dash	pipe		Cut-Off	Drop
	in	mm	size	T	Type	C	H
0750-04-06	1/4	6.4	04	6	L/S	41	24
0750-04-08	1/4	6.4	04	8	L/S	43	25
0750-04-10	1/4	6.4	04	10	L/S	47	30
0750-05-10	5/16	7.9	05	10	L/S	49	30
0750-05-12	5/16	7.9	05	12	L/S	53	32
0750-06-12	3/8	9.5	06	12	L/S	52	33

0750S

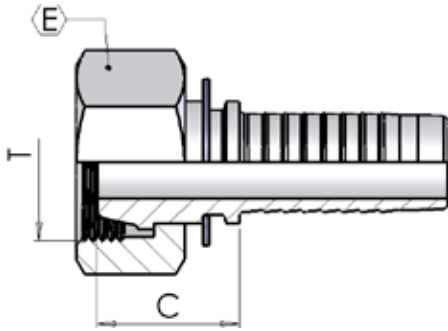
45° Metric Standpipe (Welded)



Part number	Hose I.D.		Dimensions				
			dash size	pipe T	Type	Cut-Off C	Drop H
	in	mm					
0750S03-08	3/16	4.8	03	8	L/S	41	23
0750S04-12	1/4	6.4	04	12	L/S	54	29
0750S06-14	3/8	9.5	06	14	S	50	27
0750S06-15	3/8	9.5	06	15	L	54	29
0750S08-14	1/2	12.7	08	14	S	50	27
0750S08-15	1/2	12.7	08	15	L	55	29
0750S08-16	1/2	12.7	08	16	S	54	27
0750S08-18	1/2	12.7	08	18	L	56	29
0750S10-18	5/8	15.9	10	18	L	56	29
0750S10-20	5/8	15.9	10	20	S	56	34
0750S10-22	5/8	15.9	10	22	L	66	35
0750S12-20	3/4	19	12	20	S	63	34
0750S12-22	3/4	19	12	22	L	65	35
0750S12-25	3/4	19	12	25	S	76	41
0750S16-25	1	25.4	16	25	S	76	41
0750S16-28	1	25.4	16	28	L	84	49
0750S16-30	1	25.4	16	30	S	86	44
0750S20-30	1.1/4	31.8	20	30	S	88	44
0750S20-35	1.1/4	31.8	20	35	L	94	47
0750S20-38	1.1/4	31.8	20	38	S	101	50
0750S24-38	1.1/2	38.1	24	38	S	100	50
0750S24-42	1.1/2	38.1	24	42	L	114	55

0030

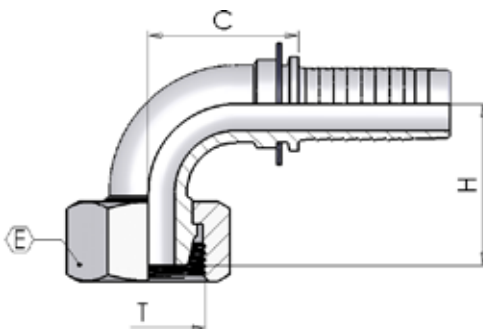
Metric Female 24° Cone French Type



Part number	Hose I.D.		Dimensions			
			dash	Thread	Cut-Off	Hex
			size	T	C	E
0030-05-20	5/16	7.9	05	M20-1.5	25	24
0030-06-20	3/8	9.5	06	M20-1.5	26	24
0030-08-24	1/2	12.7	08	M24-1.5	28	30
0030-10-30	5/8	15.9	10	M30-1.5	25	36
0030-12-30	3/4	19	12	M30-1.5	26	36
0030-12-36	3/4	19	12	M36-1.5	29	46
0030-16-45	1	25.4	16	M45-1.5	30	55
0030-20-52	1.1/4	31.8	20	M52-1.5	34	65

0130

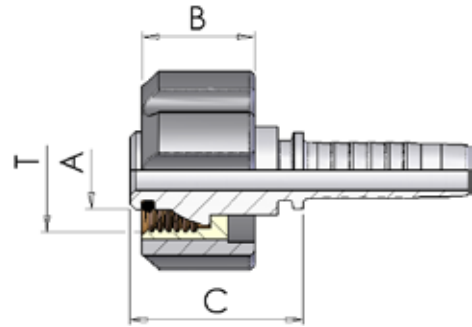
90° Metric Swept Elbow 24° Cone French Type



Part number	Hose I.D.		Dimensions				
			dash	Thread	Cut-Off	Hex	Drop
			size	T	C	E	H
0130-05-20	5/16	7.9	05	M20-1.5	29	24	35
0130-06-20	3/8	9.5	06	M20-1.5	33	24	35
0130-08-24	1/2	12.7	08	M24-1.5	43	30	40
0130S10-30	5/8	15.9	10	M30-1.5	48	36	49
0130-12-36	3/4	19	12	M36-1.5	56	46	55

FK50

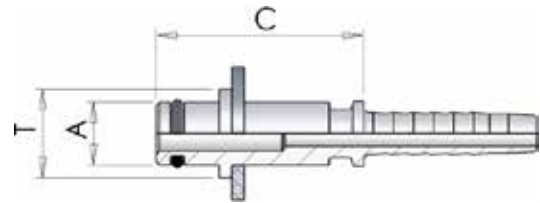
K' Female



Part number	Hose I.D.		Dimensions				
			dash size	Thread T	Cut-Off C	A	B
	in	mm					
FK50-04-22	1/4	6.4	04	M22-1.5	31	14	20
FK50-05-22	5/16	7.9	05	M22-1.5	31	14	20
FK50-06-22	3/8	9.5	06	M22-1.5	31	14	20
FK50-04022	1/4	6.4	04	M22-1.5	31	14	27
FK50-05022	5/16	7.9	05	M22-1.5	31	14	27
FK50-06022	3/8	9.5	06	M22-1.5	31	14	27

FN50

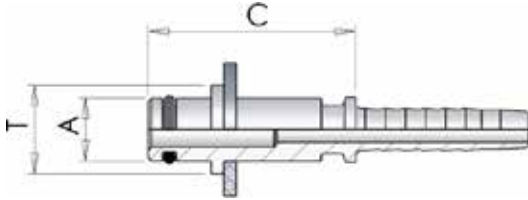
'K' Male (for gun) - Diameter 10



Part number	Hose I.D.		Dimensions		
			dash size	Thread T	A
	in				
FN50-04-22	1/4	04	M22-1.5	10	33
FN50-05-22	5/16	05	M22-1.5	10	33
FN50-06-22	3/8	06	M22-1.5	10	33

FN51

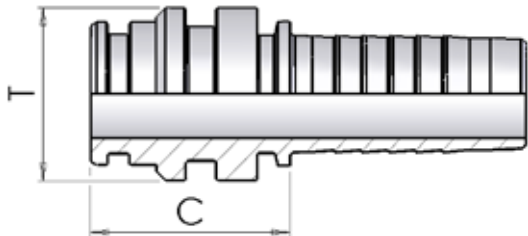
'K' Male (for gun) - Diameter 11



Part number	Hose I.D.	Dimensions			
		dash	Thread		
	in	size	T	A	C
FN51-04-22	1/4	04	M22-1.5	11	33
FN51-05-22	5/16	05	M22-1.5	11	33
FN51-06-22	3/8	06	M22-1.5	11	33

0398

Staplelock Male

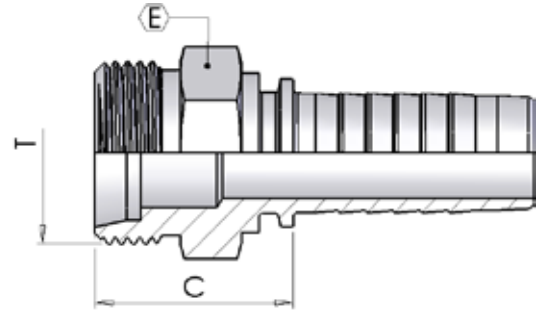


Secondo SAE J1467

Part number	Hose I.D.		Dimensions		
	dash	Thread	Cut-Off		
	in	mm	size	T	C
0398-04-04	1/4	6.4	04	14.9	32
0398-06-06	3/8	9.5	06	19.9	35
0398-08-08	1/2	12.7	08	23.9	33
0398-12-12	3/4	19	12	28.9	33
0398-16-16	1	25.4	16	38.8	39
0398-20-20	1.1/4	31.8	20	45.9	41

KO5B

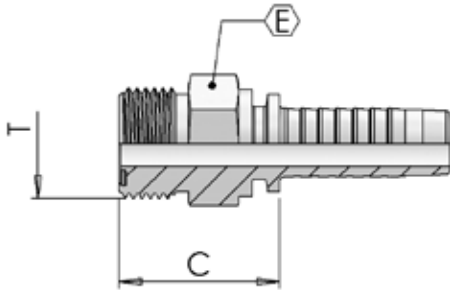
Kobelko Male



Part number	Hose I.D.		Dimensions			
			dash	Thread	Cut-Off	Hex
	in	mm	size	T	C	E
KO5B-10-30	5/8	15.9	10	M30-1.5	32	32
KO5B-12-30	3/4	19	12	M30-1.5	35	32
KO5B-12-36	3/4	19	12	M36-1.5	36	41
KO5B-16-36	1	25.4	16	M36-1.5	37	41
KO5B-16-45	1	25.4	16	M45-1,5	38	50

S350

ORFS Male Maschio ORFS

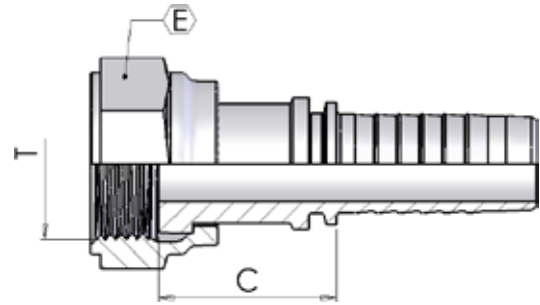


- with plug and O-Ring

Part number	Hose I.D.		Dimensions			
			dash	Thread	Cut-Off	Hex
			size	T	C	E
S350-04-06-BO	1/4	6.4	04	9/16-18	23	17
S350-04-09-BO	1/4	6.4	04	11/16-16	21	19
S350-05-09-BO	5/16	7.9	05	11/16-16	26	19
S350-06-09-BO	3/8	9.5	06	11/16-16	26	19
S350-06-11-BO	3/8	9.5	6	13/16-16	29	22
S350-08-11-BO	1/2	12.7	08	13/16-16	29	22
S350-08-13-BO	1/2	12.7	08	1-14	34	27
S350-08-14-BO	1/2	12.7	08	1.3/16-12	35	32
S350-10-13-BO	5/8	15.9	10	1-14	33	27
S350-10-14-BO	5/8	15.9	10	1.3/16-12	35	32
S350-12-14-BO	3/4	19	12	1.3/16-12	36	32
S350-12-15-BO	3/4	19	12	1.7/16-12	36	38
S350-16-15-BO	1	25.4	16	1.7/16-12	37	38
S350-16-21-BO	1	25.4	16	1.11/16-12	38	46
S350-20-21-BO	1.1/4	31.8	20	1.11/16-12	39	46

S050

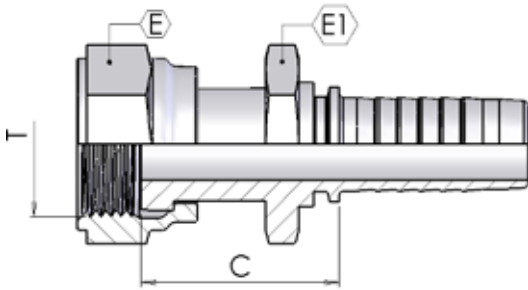
ORFS Female



Part number	Hose I.D.		Dimensions			
			dash	Thread	Cut-Off	Hex
	in	mm	size	T	C	E
S050-04-06	1/4	6.4	04	9/16-18	25	19
S050-04-09	1/4	6.4	04	11/16-16	29	22
S050-05-09	5/16	7.9	05	11/16-16	29	22
S050-06-09	3/8	9.5	06	11/16-16	29	22
S050-06-11	3/8	9.5	06	13/16-16	30	24
S050-08-11	1/2	12.7	08	13/16-16	32	24
S050-08-13	1/2	12.7	08	1-14	35	30
S050-08-14	1/2	12.7	08	1.3/16-12	37	36
S050-10-13	5/8	15.9	10	1-14	35	30
S050-10-14	5/8	15.9	10	1.3/16-12	34	36
S050-12-13	3/4	19	12	1-14	37	30
S050-12-14	3/4	19	12	1.3/16-12	35	36
S050-12-15	3/4	19	12	1.7/16-12	41	41
S050-16-15	1	25.4	16	1.7/16-12	39	41
S050-20-21	1.1/4	31.8	20	1.11/16-12	40	50
S050-24-32	1.1/2	38.1	24	2-12	41	60

S05T

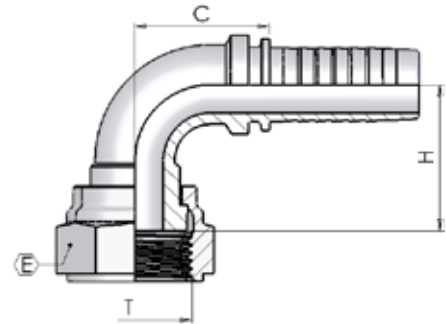
ORFS Female Back Hexagon



Part number	Hose I.D.		Dimensions				
			dash	Thread	Cut-Off	Hex	
	in	mm	size	T	C	E	E1
S05T-04-06	1/4	6.4	04	9/16-18	30	17	15
S05T-06-09	3/8	9.5	06	11/16-16	34	22	17
S05T-08-11	1/2	12.7	08	13/16-16	37	24	19
S05T-10-13	5/8	15.9	10	1-14	41	30	24
S05T-12-14	3/4	19	12	1.3/16-12	42	36	30
S05T-16-15	1	25.4	16	1.7/16-12	50	41	36

S150

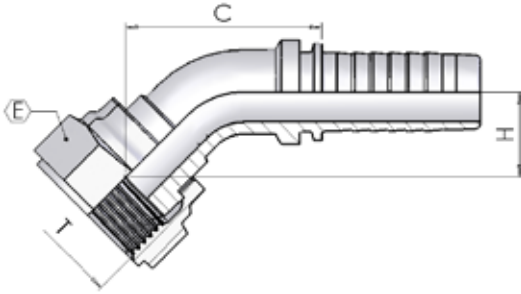
ORFS 90° Swept Elbow



Part number	Hose I.D.		Dimensions				
			dash	Thread	Cut-Off	Hex	Drop
	in	mm	size	T	C	E	H
S150-04-06	1/4	6.4	04	9/16-18	25	19	26
S150-04-09	1/4	6.4	04	11/16-16	25	22	23
S150-05-09	5/16	7.9	05	11/16-16	29	22	32
S150-06-09	3/8	9.5	06	11/16-16	33	22	33
S150-06-11	3/8	9.5	06	13/16-16	33	24	32
S150-08-11	1/2	12.7	08	13/16-16	39	24	36
S150-08-13	1/2	12.7	08	1-14	39	30	40
S150-08-14	1/2	12.7	08	1.3/16-12	42	36	39
S150-10-13	5/8	15.9	10	1-14	47	30	39
S150-10-14	5/8	15.9	10	1.3/16-12	42	36	39
S150-12-13	3/4	19	12	1-14	42	30	39
S150-12-14	3/4	19	12	1.3/16-12	57	36	49
S150-12-15	3/4	19	12	1.7/16-12	56	41	51
S150-16-15	1	25.4	16	1.7/16-12	67	41	62
S150-16-21	1	25.4	20	1.11/16-12	62	50	58
S150-20-21	1.1/4	31.8	20	1.11/16-12	63	50	58
S150-24-32	1.1/2	38.1	24	2-12	80	60	73

S250

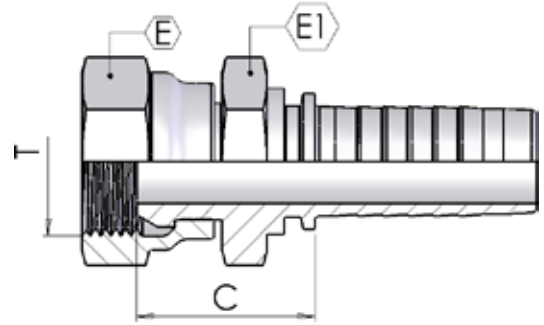
ORFS 45° Swept Elbow



Part number	Hose I.D.		Dimensions				
			dash	Thread	Cut-Off	Hex	Drop
	in	mm	size	T	C	E	H
S250-04-06	1/4	6.4	04	9/16-18	40	19	14
S250-04-09	1/4	6.4	04	11/16-16	38	22	14
S250-05-09	5/16	7.9	05	11/16-16	44	22	14
S250-06-09	3/8	9.5	06	11/16-16	52	22	17
S250-06-11	3/8	9.5	06	13/16-16	51	24	18
S250-08-11	1/2	12.7	08	13/16-16	62	24	20
S250-08-13	1/2	12.7	08	1-14	64	30	23
S250-08-14	1/2	12.7	08	1.3/16-12	62	36	23
S250-10-13	5/8	15.9	10	1-14	67	30	22
S250-10-14	5/8	15.9	10	1.3/16-12	44	36	18
S250-12-13	3/4	19	12	1-14	40	30	15
S250-12-14	3/4	19	12	1.3/16-12	84	36	23
S250-12-15	3/4	19	12	1.7/16-12	84	41	26
S250-16-15	1	25.4	16	1.7/16-12	100	41	31
S250-20-21	1.1/4	31.8	20	1.11/16-12	125	50	44
S250-24-32	1.1/2	38.1	24	2-12	78	60	29

0920

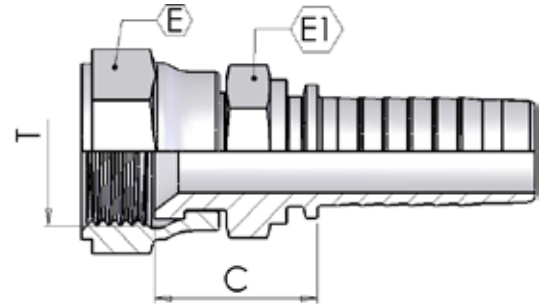
JIS Female 60° cone (Nissan)



Part number	Hose I.D.		Dimensions				
			dash size	Thread T	Cut-Off C	Hex E	E1
0920-04-04	1/4	6.4	04	1/4-19	23	19	19
0920-06-06	3/8	9.5	06	3/8-19	28	22	22
0920-08-08	1/2	12.7	08	1/2-14	27	27	27
0920-12-12	3/4	19	12	3/4-14	29	32	32
0920-16-16	1	25.4	16	1-11	31	38	38

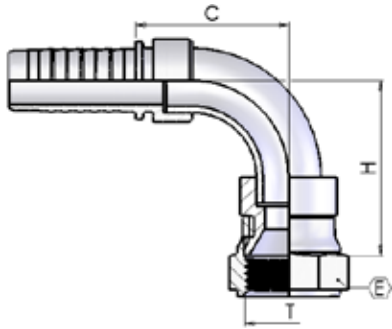
0930

JIS Female 60° cone (Toyota)



Part number	Hose I.D.		Dimensions				
			dash size	Thread T	Cut-Off C	Hex E	E1
0930-04-04	1/4	6.4	04	1/4-19	20	19	17
0930-06-06	3/8	9.5	06	3/8-19	22	22	19
0930-08-08	1/2	12.7	08	1/2-14	26	27	22
0930-12-12	3/4	19	12	3/4-14	29	32	30
0930-16-16	1	25.4	16	1-11	31	38	36
0930-20-20	1,1/4	31.8	20	1,1/4-11	35	50	46
0930-24-24	1,1/2	38.1	24	1,1/2-11	28	55	50

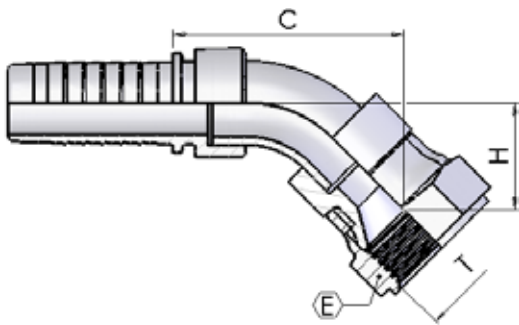
0980S



90° JIS Swept Elbow (Toyota) - welded

Part number	Hose I.D.		Dimensions				
			dash	Thread	Cut-Off	Hex	Drop
	in	mm	size	T	C	E	H
0980S04-04	1/4	6.4	04	1/4-19	38	19	35
0980S06-06	3/8	9.5	06	3/8-19	27	22	30
0980S08-08	1/2	12.7	08	1/2-14	33	27	39
0980S12-12	3/4	19	12	3/4-14	48	32	55
0980S16-16	1	25.4	16	1-11	57	38	62
0980S20-20	1,1/4	31.8	20	1,1/4-11	63	50	65
0980S24-24	1,1/2	38.1	24	1,1/2-11	80	55	83

1030S

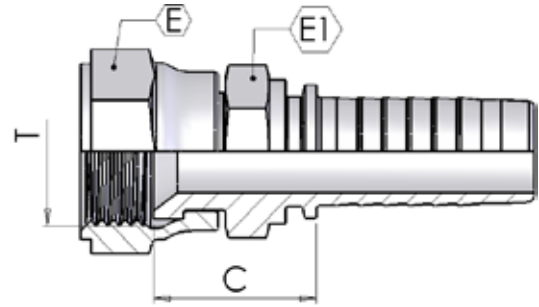


45° JIS Swept Elbow (Toyota) - welded

Part number	Hose I.D.		Dimensions				
			dash	Thread	Cut-Off	Hex	Drop
	in	mm	size	T	C	E	H
1030S04-04	1/4	6.4	04	1/4-19	44	19	18
1030S05-06	5/16	7.9	05	3/8-19	38	22	18
1030S06-06	3/8	9.5	06	3/8-19	38	22	18
1030S08-08	1/2	12.7	08	1/2-14	40	27	20
1030S12-12	3/4	19	12	3/4-14	56	32	26
1030S16-16	1	25.4	16	1-11	72	38	33
1030S20-20	1,1/4	31.8	20	1,1/4-11	67	50	29
1030S24-24	1,1/2	38.1	24	1,1/2-11	85	55	36

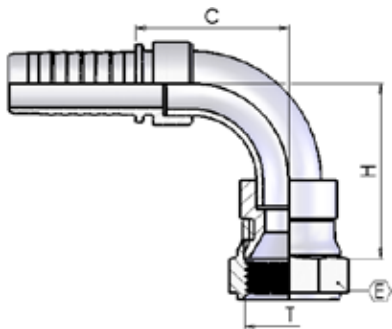
0940

JIS Female 60° Cone (Komatsu)



Part number	Hose I.D.		Dimensions				
			dash	Thread	Cut-Off	Hex	
	in	mm	size	T	C	E	E1
0940-04-14	1/4	6.4	04	M14x1,5	22	19	17
0940-05-16	5/16	7.9	05	M16x1,5	22	22	17
0940-06-14	3/8	9.5	06	M14x1,5	22	19	17
0940-06-18	3/8	9.5	06	M18x1,5	21	24	19
0940-08-22	1/2	12.7	08	M22x1,5	27	27	22
0940-10-24	5/8	15.9	10	M24x1,5	26	30	27
0940-12-30	3/4	19	12	M30x1,5	30	36	30
0940-16-33	1	25.4	16	M33x1,5	33	41	36
0940-20-36	1.1/4	31.8	20	M36x1,5	37	46	46
0940-24-42	1.1/2	38.1	24	M42x1,5	38	50	50

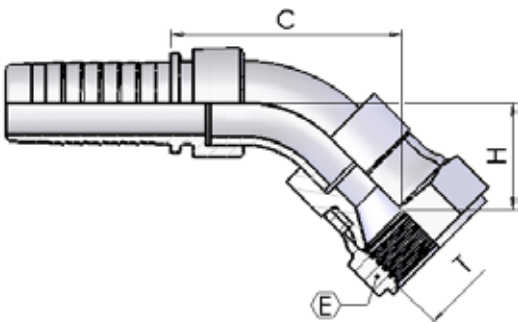
0990S



90° JIS Swept Elbow (Komatsu) - welded

Part number	Hose I.D.		Dimensions				
			dash	Thread	Cut-Off	Hex	Drop
	in	mm	size	T	C	E	H
0990S04-14	1/4	6.4	04	M14x1,5	38	19	35
0990S05-16	5/16	7.9	05	M16x1,5	27	22	30
0990S06-14	3/8	9.5	06	M14x1,5	31	19	33
0990S06-18	3/8	9.5	06	M18x1,5	31	24	33
0990S08-22	1/2	12.7	08	M22x1,5	33	27	39
0990S10-24	5/8	15.9	10	M24x1,5	42	30	48
0990S12-30	3/4	19	12	M30x1,5	48	36	43
0990S16-33	1	25.4	16	M33x1,5	57	41	62

1040S

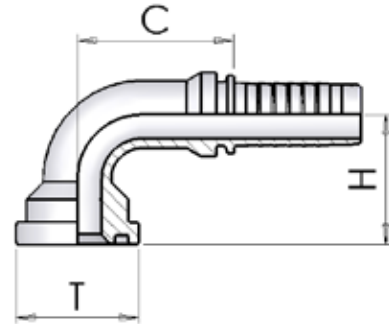


45° JIS Swept Elbow (Komatsu) - welded

Part number	Hose I.D.		Dimensions				
			dash	Thread	Cut-Off	Hex	Drop
	in	mm	size	T	C	E	H
1040S-04-14	1/4	6.4	04	M14-1.5	44	19	18
1040S05-16	5/16	7.9	05	M16-1.5	38	22	18
1040S06-14	3/8	9.5	06	M14-1.5	41	19	18
1040S06-18	3/8	9.5	06	M18-1.5	43	24	18
1040S08-22	1/2	12.7	08	M22-1.5	40	27	20
1040S10-24	5/8	15.9	10	M24-1.5	50	30	26
1040S12-30	3/4	19	12	M30-1.5	56	36	26
1040S16-33	1	25.4	16	M33-1.5	65	41	33

1050

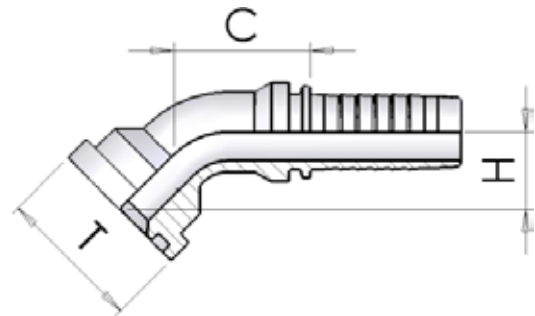
Komatsu Flange 90°



Part number	Hose I.D.	Dimensions			
		dash size	Flange		Cut-Off C
			T	mm	
1050-10-10	5/8 in	10	5/8	34	58

1150

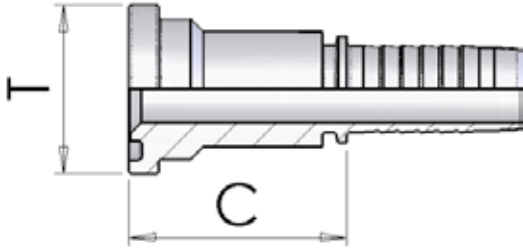
Komatsu Flange 45°



Part number	Hose I.D.	Dimensions			
		dash size	Flange		Cut-Off C
			T	mm	
1150-10-10	5/8 in	10	5/8	34	23

1250

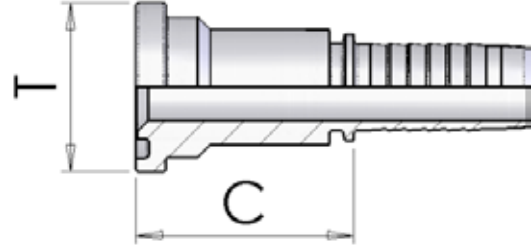
Komatsu Flange - Straight



Part number	Hose I.D.	Dimensions			
		dash size	Flange		Cut-Off
	in		T	mm	C
1250-10-10	5/8	10	5/8	34	56

1260

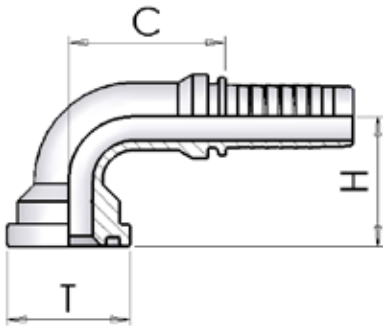
Straight SAE Flange 3000 PSI



Part number	Hose I.D.	Dimensions			
		dash size	Flange		Cut-Off C
			T	mm	
	in				
1260-08-08	1/2	08	1/2	30,2	45
1260-08-12	1/2	08	3/4	38.1	50
1260-10-08	5/8	10	1/2	30,2	45
1260-10-12	5/8	10	3/4	38.1	49
1260-12-12	3/4	12	3/4	38.1	50
1260-12-16	3/4	12	1	44.5	53
1260-16-16	1	16	1	44.5	54
1260-16-20	1	16	1.1/4	50.8	57
1260-20-20	1.1/4	20	1.1/4	50.8	59
1260-20-24	1.1/4	20	1.1/2	60.3	62
1260-24-24	1.1/2	24	1.1/2	60.3	62
1260-24-32	1.1/2	24	2	71.4	67
1260-32-32	2	32	2	71.4	68
1260-32-40	2	32	2.1/2	84.1	76
1260-40-40	2.1/2	40	2.1/2	84	76
1260-48-48	3	48	3	102	63

1060

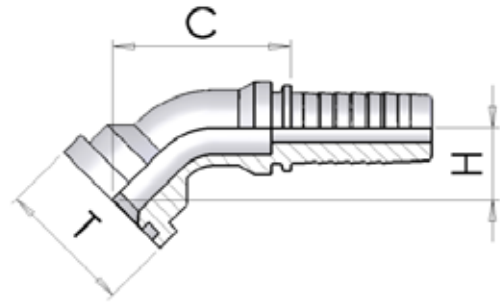
90° SAE Flange 3000 PSI



Part number	Hose I.D.	Dimensions			
		dash	Flange		Cut-Off
			size	T	
	in				
1060-08-08	1/2	08	1/2	30,2	39
1060-08-12	1/2	08	3/4	38.1	39
1060-10-08	5/8	10	1/2	30,2	45
1060-10-12	5/8	10	3/4	38.1	45
1060-12-12	3/4	12	3/4	38.1	56
1060-12-16	3/4	12	1	44.5	56
1060-16-16	1	16	1	44.5	70
1060-16-20	1	16	1.1/4	50.8	70
1060-16-24	1	16	1.1/2	60.3	72
1060-20-16	1.1/4	20	1	44.5	81
1060-20-20	1.1/4	20	1.1/4	50.8	86
1060-20-24	1.1/4	20	1.1/2	60.3	85
1060-24-24	1.1/2	24	1.1/2	60.3	98
1060-24-32	1.1/2	24	2	71.4	93
1060-32-32	2	32	2	71.4	123

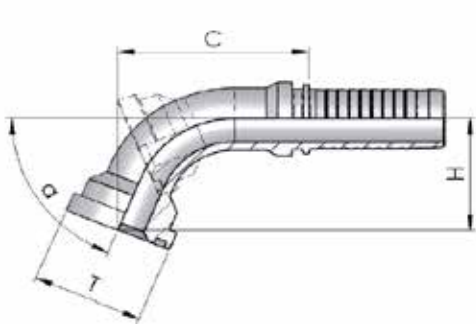
1160

45° SAE Flange 3000 PSI



Part number	Hose I.D.	Dimensions				
		dash	Flange		Cut-Off	Drop
		size	T	mm	C	H
1160-08-08	1/2	08	1/2	30.2	62	22
1160-08-12	1/2	08	3/4	38.1	67	25
1160-12-12	3/4	12	3/4	38.1	69	27
1160-12-16	3/4	12	1	44.5	88	30
1160-16-16	1	16	1	44.5	82	33
1160-20-20	1.1/4	20	1.1/4	50.8	102	38
1160-20-24	1.1/4	20	1.1/2	60.3	129	39
1160-24-24	1.1/2	24	1.1/2	60.3	114	44
1160-24-32	1.1/2	24	2	71.4	148	47
1160-32-32	2	32	2	71.4	130	58

1060_



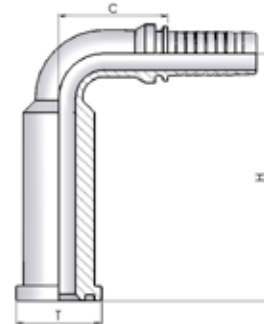
22.5°/30°/60°/67.5° SAE Flange 3000 PSI

Flangia 22.5°/30°/60°/67.5° SAE 3000
PSI

Part number	Hose I.D.	Dimensions			
		dash	Flange		Cut-Off
	in	size	T	mm	C
1060-12-12 22.5	3/4	12	3/4	38.1	76
1060-16-16 22.5	1	16	1	44.5	89
1060-20-20 22.5	1.1/4	20	1.1/4	50.8	111
1060-24-24 22.5	1.1/2	24	1.1/2	60.3	124
1060-32-32 22.5	2	32	2	71.4	144
1060-12-12 30	3/4	12	3/4	38.1	75
1060-16-16 30	1	16	1	44.5	87
1060-20-20 30	1.1/4	20	1.1/4	50.8	109
1060-24-24 30	1.1/2	24	1.1/2	60.3	122
1060-32-32 30	2	32	2	71.4	142
1060-12-12 60	3/4	12	3/4	38.1	76
1060-16-16 60	1	16	1	44.5	95
1060-20-20 60	1.1/4	20	1.1/4	50.8	116
1060-24-24 60	1.1/2	24	1.1/2	60.3	138
1060-32-32 60	2	32	2	71.4	170
1060-12-12 67.5	3/4	12	3/4	38.1	72
1060-16-16 67.5	1	16	1	44.5	91
1060-20-20 67.5	1.1/4	20	1.1/4	50.8	110
1060-24-24 67.5	1.1/2	24	1.1/2	60.3	131
1060-32-32 67.5	2	32	2	71.4	158

FS3L

90° SAE Flange 3000 Psi - Long Drop

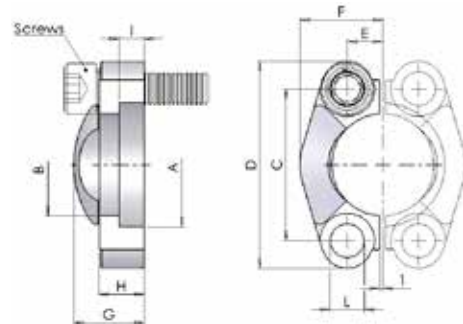


Part number	Hose I.D.	Dimensions			
		dash size	Flange		Cut-Off C
			T	mm	
FS3L-08-08	1/2	08	1/2	30.2	39
FS3L-12-12	3/4	12	3/8	38.1	56
FS3L-16-16	1	16	1	44.5	70
FS3L-20-20	1.1/4	20	1.1/4	50.8	85
FS3L-24-24	1.1/2	24	1.1/2	60.3	99

S003

Cut Split Flanges - 3000 psi

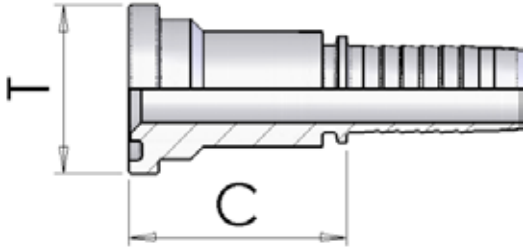
This product is sold in pairs



Part number	Dimensions											
	Hex										Drop H	Sae SIZE
	A	B	C	D	E	F	G	I	L			
S003-08	30.96	24.3	38.1	54	8.7	22.8	19	6.2	88	13	1/2"	
S003-12	38.89	32.1	47.6	65	11.1	25.9	22	6.2	108	14	3/4"	
S003-16	45.24	38.5	52.4	70	13.1	29.2	24	7.5	108	16	1"	
S003-20	51.59	43.7	58.7	79	15.1	36.3	22	7.5	12	14	1.1/4"	
S003-24	61.09	50.8	69.9	94	17.9	41.1	25	7.5	135	16	1.1/2"	
S003-32	72.24	62.7	77.8	102	21.4	48.2	26	9	135	16	2"	
S003-40	84.94	74.9	88.9	114	25.4	54.1	38	9	135	19	2.1/2"	
S003-48	102.4	90.9	106.4	135	31	65.3	41	9	17	22	3"	

1310

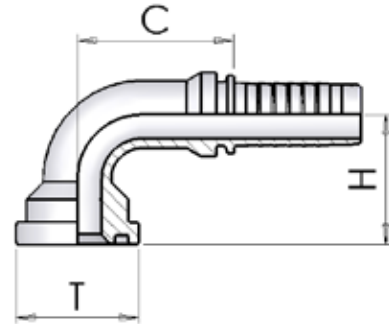
Straight SAE Flange 6000 PSI



Part number	Hose I.D.	Dimensions			
		dash	Flange		Cut-Off
	in	size	T	mm	C
1310-08-08	1/2	08	1/2	31,8	46
1310-08-12	1/2	08	3/4	41.3	53
1310-10-08	5/8	10	1/2	31,8	46
1310-10-12	5/8	10	3/4	41.3	53
1310-10-16	5/8	10	1	47.6	59
1310-12-12	3/4	12	3/4	41.3	54
1310-12-16	3/4	12	1	47.6	60
1310-16-12	1	16	3/4	41.3	55
1310-16-16	1	16	1	47.6	61
1310-16-20	1	16	1.1/4	54	68
1310-20-20	1.1/4	20	1.1/4	54	70
1310-20-24	1.1/4	20	1.1/2	63.5	76
1310-24-24	1.1/2	24	1.1/2	63.5	76
1310-24-32	1.1/2	24	2	79.4	85
1310-32-32	2	32	2	79.4	85

1110

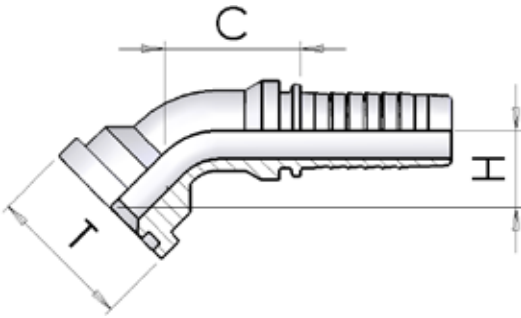
90° SAE Flange 6000 PSI



Part number	Hose I.D.	Dimensions			
		dash size	Flange		Cut-Off C
			T	mm	
	in				
1110-08-08	1/2	08	1/2	31.8	39
1110-08-12	1/2	08	3/4	41.3	39
1110-10-08	5/8	10	1/2	31.8	45
1110-10-12	5/8	10	3/4	41.3	44
1110-10-16	5/8	10	1	47.6	45
1110-12-08	3/4	12	1/2	32	56
1110-12-12	3/4	12	3/4	41.3	56
1110-12-16	3/4	12	1	47.6	56
1110-16-12	1	16	3/4	41.3	68
1110-16-16	1	16	1	47.6	70
1110-16-20	1	16	1.1/4	54	71
1110-20-20	1.1/4	20	1.1/4	54	97
1110-20-24	1.1/4	20	1.1/2	63.5	97
1110-24-24	1.1/2	24	1.1/2	63.5	102
1110-24-32	1.1/2	24	2	79.4	103
1110-32-32	2	32	2	79.4	125

1210

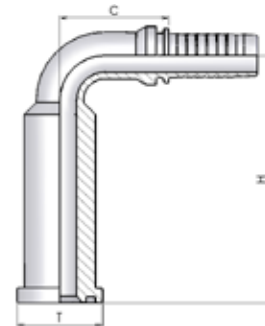
45° SAE Flange 6000 PSI



Part number	Hose I.D.	Dimensions			
		dash	Flange		Cut-Off
	in	size	T	mm	C
1210-08-08	1/2	08	1/2	31.8	62
1210-08-12	1/2	08	3/4	41.3	69
1210-10-08	5/8	10	1/2	31.8	66
1210-10-12	5/8	10	3/4	41.3	75
1210-10-16	5/8	10	1	47.6	77
1210-12-12	3/4	12	3/4	41.3	74
1210-12-16	3/4	12	1	47.6	90
1210-16-12	1	16	3/4	41.3	101
1210-16-16	1	16	1	47.6	86
1210-16-20	1	16	1.1/4	54	112
1210-20-20	1.1/4	20	1.1/4	54	107
1210-20-24	1.1/4	20	1.1/2	63.5	149
1210-24-24	1.1/2	24	1.1/2	63.5	122
1210-24-32	1.1/2	24	2	79.4	163
1210-32-32	2	32	2	79.4	145

FS6L

90° SAE Flange 6000 Psi - Long Drop

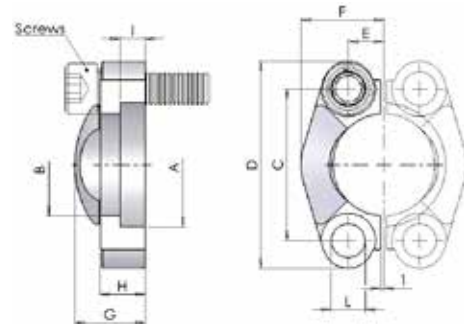


Part number	Hose I.D.	Dimensions			
		dash size	Flange		Cut-Off C
			T	mm	
FS6L-08-08	1/2	08	1/2	32	40
FS6L-12-12	3/4	12	3/4	41.3	56
FS6L-16-16	1	16	1	47.6	70
FS6L-20-20	1.1/4	20	1.1/4	54	82
FS6L-24-24	1.1/2	24	1.1/2	63.5	99

S006

Cut Split Flanges - 6000 psi

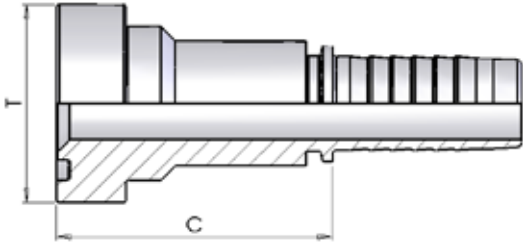
This product is sold in pairs



Part number	Dimensions											
	Hex										Drop H	Sae SIZE
	A	B	C	D	E	F	G	I	L			
S006-08	32.54	24.6	40.5	56	9.1	23.6	22	7.2	88	16	1/2"	
S006-12	42.06	32.5	50.8	71	11.9	30	28	8.3	11	19	3/4"	
S006-16	48.41	38.9	57.2	81	13.9	34.8	33	9	13	24	1"	
S006-20	54.76	44.5	66.7	95	15.9	38.6	38	9.8	15	27	1"1/4	
S006-24	64.29	51.6	79.4	113	18.3	47.5	43	12.1	17	30	1"1/2	
S006-32	80.16	67.6	96.8	133	22.2	56.9	52	12.1	21	37	2"	

130S

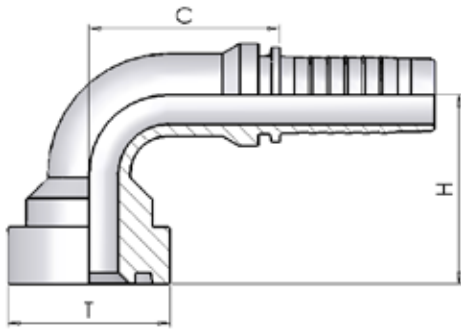
Straight 'CAT' Flange



Part number	Hose I.D.		Dimensions			
			dash size	Flange		Cut-Off
	in	mm		T	mm	C
130S-12-12	3/4	19	12	3/4	41.3	58
130S-12-16	3/4	19	12	1	47.6	64
130S-16-16	1	25.4	16	1	47.6	65
130S-16-20	1	25.4	16	1.1/4	54	73
130S-20-20	1.1/4	31.8	20	1.1/4	54	74
130S-20-24	1.1/4	31.8	20	1.1/2	63.5	78
130S-24-24	1.1/2	38.1	24	1.1/2	63.5	80

110S

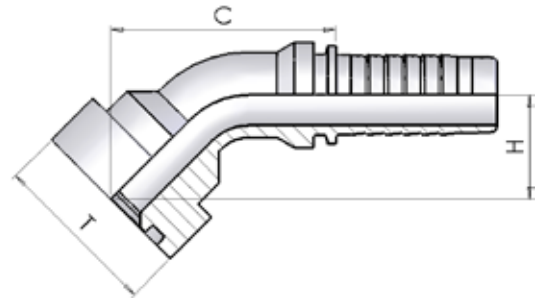
90° 'CAT' Flange



Part number	Hose I.D.		Dimensions				
			dash size	Flange		Cut-Off	Drop
	in	mm		T	mm	C	H
110S-12-12	3/4	19	12	3/4	41.3	56	62
110S-12-16	3/4	19	12	1	47.6	56	65
110S-16-16	1	25.4	16	1	47.6	78	74
110S-16-20	1	25.4	16	1.1/4	54	78	80
110S-20-20	1.1/4	31.8	20	1.1/4	54	97	90
110S-20-24	1.1/4	31.8	20	1.1/2	63.5	96	95
110S-24-24	1.1/2	38.1	24	1.1/2	63.5	115	104

120S

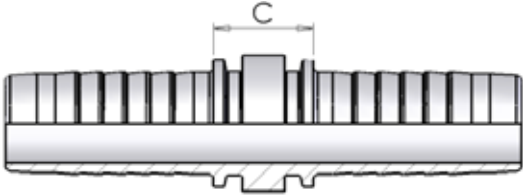
45° 'CAT' Flange



Part number	Hose I.D.		Dimensions				
			dash	Flange		Cut-Off	Drop
	in	mm	size	T	mm	C	H
120S-12-12	3/4	19	12	3/4	41.3	88	32
120S-12-16	3/4	19	12	1	47.6	93	37
120S-16-16	1	25.4	16	1	47.6	118	40
120S-16-20	1	25.4	16	1.1/4	54	122	44
120S-20-20	1.1/4	31.8	20	1.1/4	54	146	44
120S-20-24	1.1/4	31.8	20	1.1/2	63.5	149	48
120S-24-24	1.1/2	38.1	24	1.1/2	63.5	172	52

D050

Hose Junction

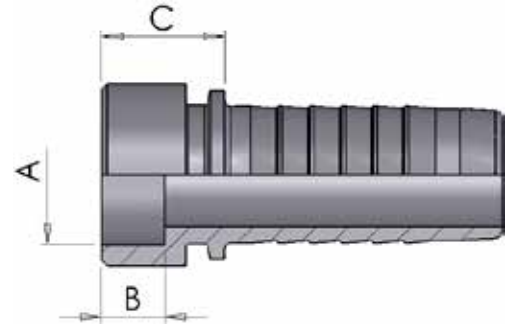


Part number	Hose I.D.		Dimensions	
			dash	Cut-Off
	in	mm	size	C
D050-03	3/16	4.8	03	17
D050-04	1/4	6.4	04	17
D050-05	5/16	7.9	05	17
D050-06	3/8	9.5	06	17
D050-08	1/2	12.7	08	18
D050-10	5/8	15.9	10	18
D050-12	3/4	19	12	19
D050-16	1	25.4	16	21
D050-20	1.1/4	31.8	20	24
D050-24	1.1/2	38.1	24	24
D050-32	2	50.8	32	26

GS00

Weldable Fitting

without zinc plating



Part number	Hose I.D.		Dimensions			
			dash size	Cut-Off C	A	B
	in	mm				
GS00-03-06	3/16	4,8	03	12	06	6
GS00-03-08	3/16	4,8	03	12	08	6
GS00-04-06	1/4	6.4	04	14	06	6
GS00-04-08	1/4	6.4	04	14	08	6
GS00-04-10	1/4	6.4	04	15	10	6
GS00-04-12	1/4	6.4	04	17	12	7
GS00-05-08	5/16	7,9	05	14	08	6
GS00-05-10	5/16	7,9	05	14	10	6
GS00-05-12	5/16	7,9	05	14	12	6
GS00-06-06	3/8	9.5	06	15	06	6
GS00-06-08	3/8	9.5	06	15	08	6
GS00-06-10	3/8	9.5	06	14	10	6
GS00-06-12	3/8	9.5	06	15	12	7
GS00-06-14	3/8	9.5	06	15	14	8
GS00-06-15	3/8	9.5	06	14	15	7
GS00-08-12	1/2	12.7	08	15	12	7
GS00-08-14	1/2	12.7	08	15	14	8
GS00-08-15	1/2	12.7	08	15	15	7
GS00-08-16	1/2	12.7	08	15	16	7
GS00-08-18	1/2	12.7	08	15	18	7
GS00-08-20	1/2	12.7	08	18	20	9
GS00-10-12	5/8	15.9	10	15	12	7
GS00-10-16	5/8	15.9	10	16	16	8
GS00-10-18	5/8	15.9	10	16	18	8
GS00-10-20	5/8	15.9	10	18	20	9
GS00-10-22	5/8	15.9	10	18	22	9
GS00-12-16	3/4	19	12	16	16	8
GS00-12-18	3/4	19	12	16	18	8
GS00-12-20	3/4	19	12	18	20	9
GS00-12-22	3/4	19	12	18	22	9
GS00-12-25	3/4	19	12	19	25	9
GS00-12-32	3/4	19	12	20	32	9
GS00-16-25	1	25.4	16	19	25	9
GS00-16-28	1	25.4	16	20	28	9
GS00-16-30	1	25.4	16	20	30	9
GS00-16-32	1	25.4	16	20	32	9
GS00-16-38	1	25.4	16	26	38	11
GS00-20-30	1.1/4	31.8	20	21	30	9
GS00-20-32	1.1/4	31.8	20	21	32	9
GS00-20-35	1.1/4	31.8	20	23	35	11
GS00-20-38	1.1/4	31.8	20	24	38	11
GS00-24-32	1.1/2	38.1	24	23	32	9
GS00-24-38	1.1/2	38.1	24	23	38	11
GS00-24-42	1.1/2	38.1	24	23	42	10
GS00-24-50	1.1/2	38.1	24	23	50	10
GS00-32-50	2	50.8	32	23	50	10

Section Index

004N, 0013	108
0370H, 0350H	109
0050H, 0150H	110
0250H, 0850H	111
0900H, 0950H	112
1000H, 0450H	113
0084H, 0184H	114
0284H, S050H.....	115
S05TH, S150H.....	116
S250H, S350H.....	117
1250H.....	118
1050H.....	119
1150H.....	120
1300H.....	121
1100H.....	122
1200H, 130SH.....	123
110SH, 120SH.....	124

**Ferrule
Boccola**

004N



Swaged Ferrule
(skive)

108

0013



Swaged Ferrule
(skive)

108

NPTF Male

0370H



NPTF Male 60° cone

109

BSP 60°

0350H



BSP Male Parallel 60°
cone

109

0050H



BSP Female 60° cone
Thrust Wire

110

0150H



BSP 90° Swept Elbow
60° cone Thrust Wire

110

0250H



BSP 45° Swept Elbow
60° cone Thrust Wire

111

JIC male

0850H



JIC Male 74° cone

111

JIC 37°

0900H



JIC Female 74° cone
Thrust Wire

112

0950H



JIC 90° Swept Elbow
74° cone Thrust Wire

112

1000H



JIC 45° Swept Elbow
74° cone Thrust Wire

113

CES/DKOS

0450H



Metric Male 24° Seat
Heavy

113

0084H



Metric Female 24°
Seat Heavy

114

**DKOS
DKOS**

0184H



90° Metric Swept
Elbow 24° Seat Heavy

114

0284H



45° Metric Swept
Elbow 24° Seat Heavy

115

ORFS

S050H



ORFS Female

115

S05TH



ORFS Female Back
Hexagon

116

S150H



ORFS 90° Swept Elbow

116

S250H



ORFS 45° Swept Elbow

117

S350H



ORFS Male

117



1250H



Straight SAE Flange 3000 PSI

118

1050H



90° SAE Flange 3000 PSI

119

1150H



45° SAE Flange 3000 PSI

120

1300H



Straight SAE Flange 6000 PSI

121

1100H



90° SAE Flange 6000 PSI

122

1200H



45° SAE Flange 6000 PSI

123



130SH



Straight 'CAT' Flange

123

110SH



90° 'CAT' Flange

124

120SH

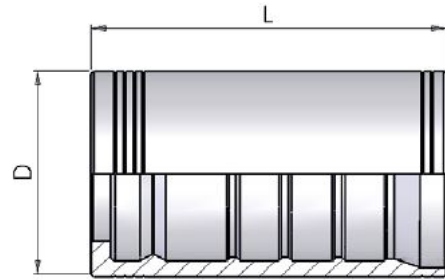


45° 'CAT' Flange

124

004N

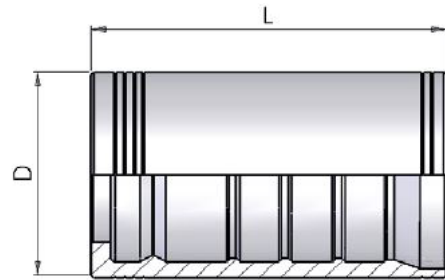
Swaged Ferrule (skive)



Part number	Hose I.D.	Dimensions		Skive Length
		D	L	
	in			
004N-12	3/4	38	60	52/15
004N-16	1	46	745	64/17
004N-20	1.1/4	55	88	74/22
004N-24	1.1/2	62	94	81/22,5
004N-32	2	78	99	85/30

0013

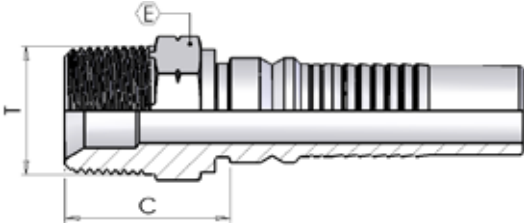
Swaged Ferrule (skive)



Part number	Hose I.D.	Dimensions		Skive Length
		D	L	
	in			
0013-20	1.1/4	60	88	74/22
0013-24	1.1/2	67	94	81/22,5
0013-32	2	845	99	85/30

0370H

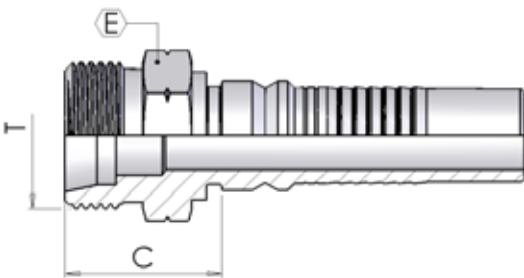
NPTF Male 60° cone



Part number	Hose I.D.	Dimensions		
		dash size	Hex E	Cut-Off C
0370H12-12	3/4	12	27	35
0370H16-16	1	16	36	41
0370H20-20	1.1/4	20	46	44
0370H24-24	1.1/2	24	50	47
0370H32-32	2	32	65	54

0350H

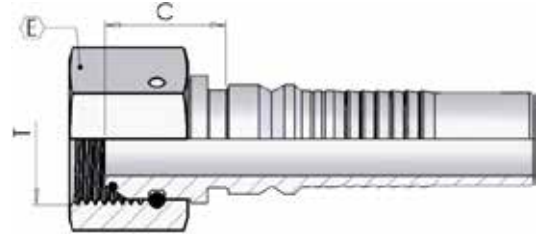
BSP Male Parallel 60° cone



Part number	Hose I.D.	Dimensions		
		dash size	Hex E	Cut-Off C
0350H12-12	3/4	12	32	33
0350H12-16	3/4	12	41	36
0350H16-16	1	16	41	37
0350H16-20	1	16	50	41
0350H20-20	1.1/4	20	50	42
0350H24-24	1.1/2	24	55	44
0350H32-32	2	32	70	53

0050H

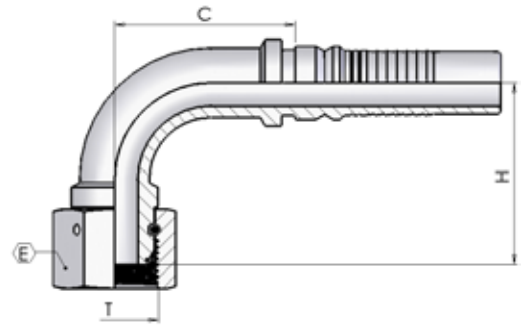
BSP Female 60° cone Thrust Wire



Part number	Hose I.D.	Dimensions		
		dash	Hex	Cut-Off
		size	E	C
	in			
0050H12-12	3/4	12	32	23
0050H12-16	3/4	12	38	25
0050H16-16	1	16	38	26
0050H20-20	1.1/4	20	50	29
0050H20-24	1.1/4	20	55	31
0050H24-24	1.1/2	24	55	31
0050H32-32	2	32	70	30

0150H

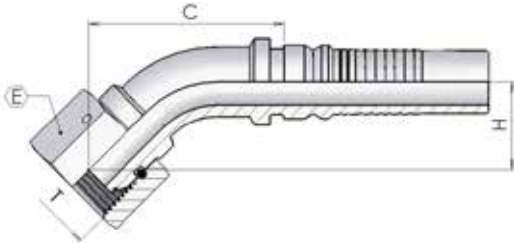
BSP 90° Swept Elbow 60° cone Thrust Wire



Part number	Hose I.D.	Dimensions		
		dash	Hex	Cut-Off
		size	E	C
	in			
0150H12-12	3/4	12	32	54
0150H16-16	1	16	38	73
0150H16-20	1	16	50	73
0150H20-20	1.1/4	20	50	93
0150H24-24	1.1/2	24	55	111
0150H32-32	2	32	70	122

0250H

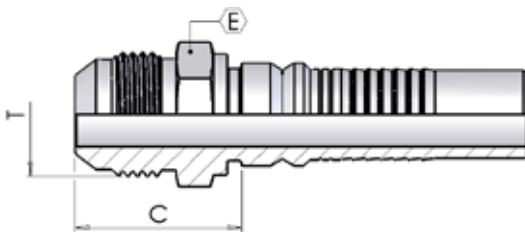
BSP 45° Swept Elbow 60° cone Thrust Wire



Part number	Hose I.D.	Dimensions		
		dash size	Hex E	Cut-Off C
	in			
0250H12-12	3/4	12	32	84
0250H16-16	1	16	38	112
0250H20-20	1.1/4	20	50	137
0250H24-24	1.1/2	24	55	166
0250H32-32	2	32	70	195

0850H

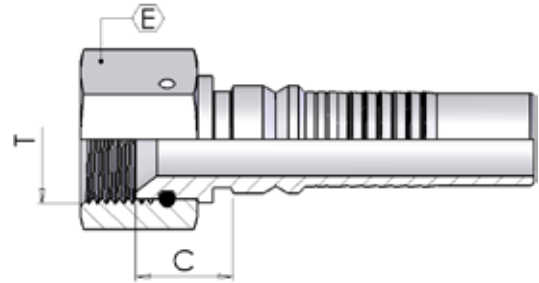
JIC Male 74° cone



Part number	Hose I.D.	Dimensions		
		dash size	Hex E	Cut-Off C
	in			
0850H12-12	3/4	12	27	36
0850H16-16	1	16	34	40
0850H20-20	1.1/4	20	42	44
0850H24-24	1.1/2	24	50	49
0850H32-32	2	32	65	61

0900H

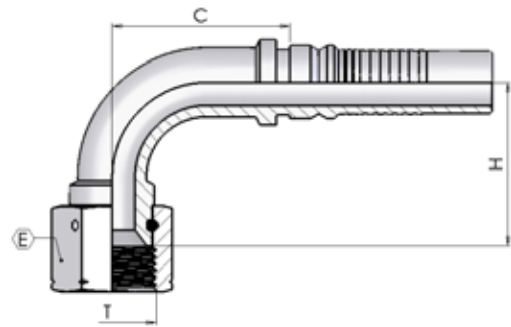
JIC Female 74° cone Thrust Wire Nut



Part number	Hose I.D.	Dimensions		
		dash size	Hex E	Cut-Off C
	in			
0900H12-12	3/4	12	32	19
0900H12-16	3/4	12	41	22
0900H16-16	1	16	41	23
0900H20-20	1.1/4	20	50	26
0900H24-24	1.1/2	24	55	29
0900H32-32	2	32	70	30

0950H

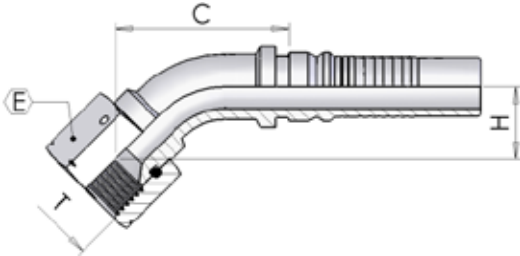
JIC 90° Swept Elbow 74° cone Thrust Wire



Part number	Hose I.D.	Dimensions		
		dash size	Hex E	Cut-Off C
	in			
0950H12-12	3/4	12	32	54
0950H12-16	3/4	12	41	54
0950H16-16	1	16	41	77
0950H20-20	1.1/4	20	50	92
0950H24-24	1.1/2	24	55	112
0950H32-32	2	32	70	121

1000H

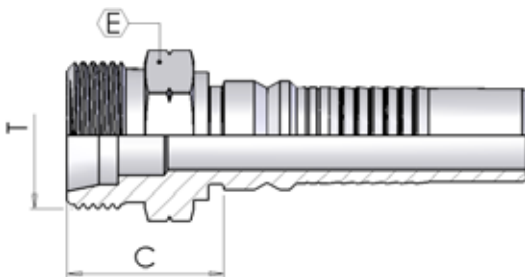
JIC 45° Swept Elbow 74° cone Thrust Wire



Part number	Hose I.D.	Dimensions		
		dash size	Hex E	Cut-Off C
1000H12-12	3/4	12	32	85
1000H12-16	3/4	12	41	88
1000H16-16	1	16	41	113
1000H20-20	1.1/4	20	50	133
1000H24-24	1.1/2	24	55	165
1000H32-32	2	32	70	194

0450H

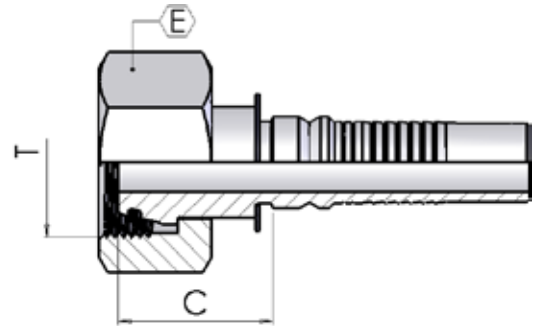
Metric Male 24° Seat Heavy



Part number	Hose I.D.	Dimensions			
		dash size	Erm	Hex E	Cut-Off C
0450H12-36	3/4	12	25	36	36
0450H16-42	1	16	30	46	39
0450H20-52	1.1/4	20	38	55	42
0450H24-52	1.1/2	24	38	55	42.5

0084H

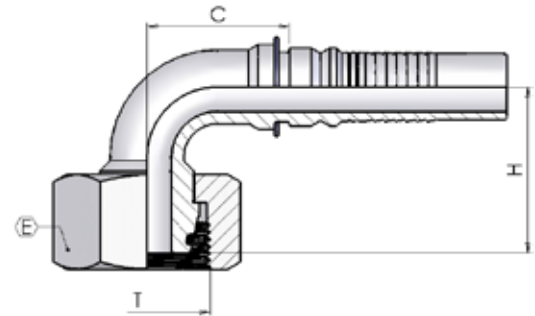
Metric Female 24° Seat Heavy



Part number	Hose I.D.	Dimensions			
		dash		Hex	Cut-Off
	in	size	Erm	E	C
0084H12-36	3/4	12	25	46	37
0084H16-36	1	16	25	46	38
0084H16-42	1	16	30	50	41
0084H20-52	1.1/4	20	38	60	41
0084H24-52	1.1/2	24	38	60	42

0184H

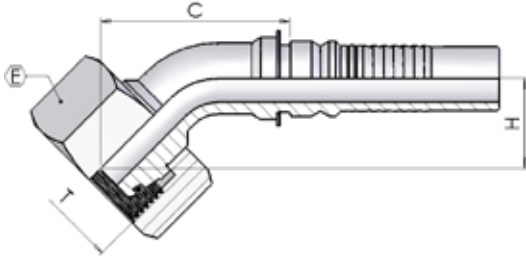
90° Metric Swept Elbow 24° Seat Heavy



Part number	Hose I.D.	Dimensions			
		dash		Hex	Cut-Off
	in	size	Erm	E	C
0184H12-36	3/4	12	25	46	55
0184H16-36	1	16	25	46	75
0184H16-42	1	16	30	50	74
0184H20-52	1.1/4	20	38	60	94

0284H

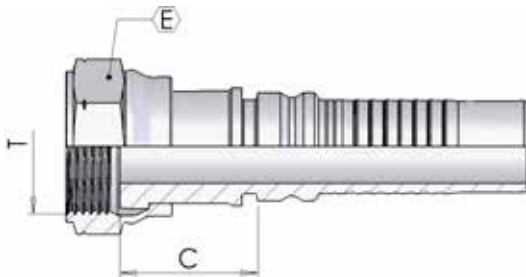
45° Metric Swept Elbow 24° Seat Heavy



Part number	Hose I.D.	Dimensions			
		dash size	Erm	Hex E	Cut-Off C
0284H12-36	3/4	12	25	46	94
0284H16-36	1	16	25	46	110
0284H16-42	1	16	30	50	112
0284H20-52	1.1/4	20	38	60	93

S050H

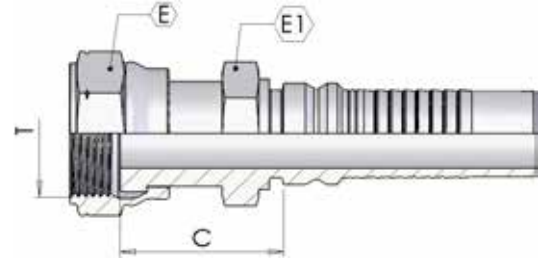
ORFS Female



Part number	Hose I.D.	Dimensions		
		dash size	Hex E	Cut-Off C
S050H12-14	3/4	12	36	33
S050H16-15	1	16	41	37
S050H16-21	1	16	50	35.5
S050H20-21	1.1/4	20	50	37
S050H20-32	1.1/4	20	60	36.7
S050H24-32	1.1/2	24	60	41

S05TH

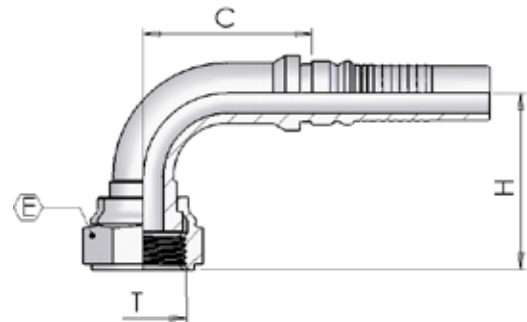
ORFS Female Back Hexagon



Part number	Hose I.D.	Dimensions			
		dash	Hex	Cut-Off	
	in	size	E	C	E1
S05TH12-14	3/4	12	36	39	30
S05TH16-15	1	16	41	47	36
S05TH20-21	1.1/4	20	50	50	46

S150H

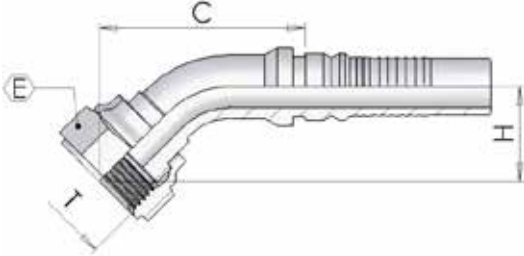
ORFS 90° Swept Elbow



Part number	Hose I.D.	Dimensions		
		dash	Hex	Cut-Off
	in	size	E	C
S150H12-14	3/4	12	36	54
S150H16-15	1	16	41	69
S150H20-21	1.1/4	20	50	87
S150H24-32	1.1/2	24	60	111

S250H

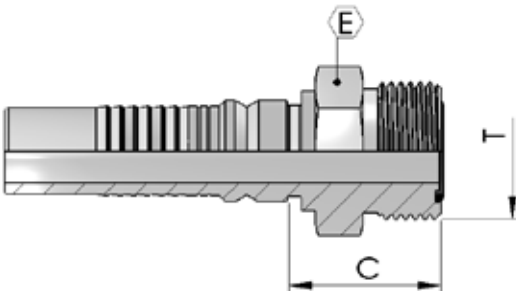
ORFS 45° Swept Elbow



Part number	Hose I.D.	Dimensions		
		dash size	Hex E	Cut-Off C
	in			
S250H12-14	3/4	12	36	84
S250H16-15	1	16	41	107
S250H20-21	1.1/4	20	50	130
S250H24-32	1.1/2	24	60	165

S350H

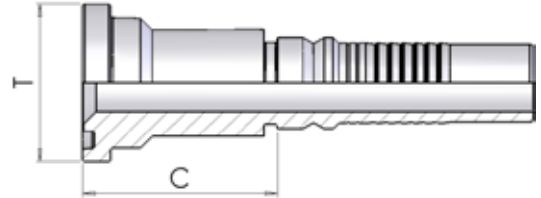
ORFS Male



Part number	Hose I.D.	Dimensions		
		dash size	Hex E	Cut-Off C
	in			
S350H12-14	3/4	12	32	34
S350H16-15	1	16	38	35
S350H20-21	1.1/4	20	46	36

1250H

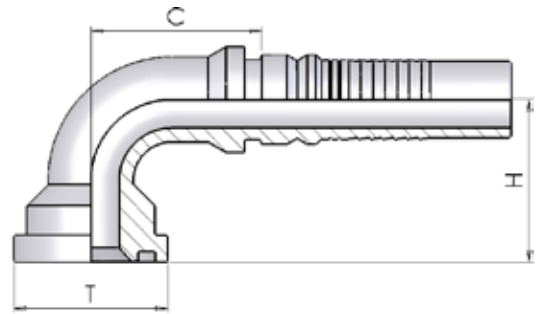
Straight SAE Flange 3000 PSI



Part number	Hose I.D.	Dimensions			
		dash size	Flange		Cut-Off C
			T	mm	
1250H12-12	3/4	12	3/4	38.1	47
1250H12-16	3/4	12	1	44.5	50
1250H16-16	1	16	1	44.5	52
1250H16-20	1	16	1.1/4	50.8	55
1250H20-20	1.1/4	20	1.1/4	50.8	56
1250H20-24	1.1/4	20	1.1/2	60.3	59
1250H24-24	1.1/2	24	1.1/2	60.3	60
1250H24-32	1.1/2	24	2	71.4	65
1250H32-32	2	32	2	71.4	67

1050H

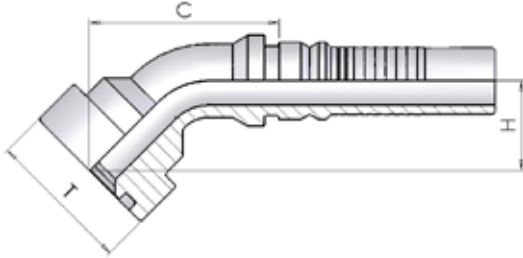
90° SAE Flange 3000 PSI



Part number	Hose I.D.	Dimensions			
		dash size	Flange		Cut-Off C
			T	mm	
	in				
1050H12-12	3/4	12	3/4	38.1	52
1050H12-16	3/4	12	1	44.5	55
1050H16-16	1	16	1	44.5	73
1050H16-20	1	16	1.1/4	50.8	69
1050H20-20	1.1/4	20	1.1/4	50.8	93
1050H20-24	1.1/4	20	1.1/2	60.3	97
1050H24-24	1.1/2	24	1.1/2	60.3	100
1050H24-32	1.1/2	24	2	71.4	134
1050H32-32	2	32	2	71.4	122

1150H

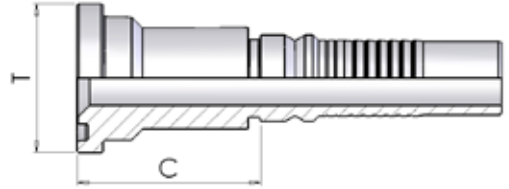
45° SAE Flange 3000 PSI



Part number	Hose I.D.	Dimensions			
		dash size	Flange		Cut-Off C
			T	mm	
1150H12-12	3/4	12	3/4	38.1	81
1150H12-16	3/4	12	1	44.5	86
1150H16-16	1	16	1	44.5	107
1150H16-20	1	16	1.1/4	50.8	113
1150H20-20	1.1/4	20	1.1/4	50.8	136
1150H20-24	1.1/4	20	1.1/2	60.3	136
1150H24-24	1.1/2	24	1.1/2	60.3	159
1150H24-32	1.1/2	24	2	71.4	159
1150H32-32	2	32	2	71.4	182

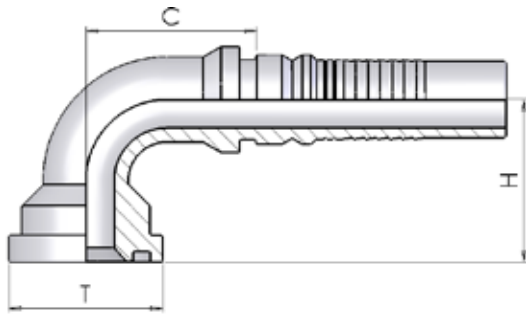
1300H

Straight SAE Flange 6000 PSI



Part number	Hose I.D.	Dimensions			
		dash	Flange		Cut-Off
			size	T	
	in				C
1300H12-12	3/4	12	3/4	41.3	51
1300H12-16	3/4	12	1	47.6	57
1300H16-12	1	16	3/4	41.3	52
1300H16-16	1	16	1	47.6	59
1300H16-20	1	16	1.1/4	54	66
1300H20-16	1.1/4	20	1	47.6	60
1300H20-20	1.1/4	20	1.1/4	54	67
1300H20-24	1.1/4	20	1.1/2	63.5	73
1300H24-20	1.1/2	24	1.1/4	54	75
1300H24-24	1.1/2	24	1.1/2	63.5	74
1300H24-32	1.1/2	24	2	79.4	82
1300H32-32	2	32	2	79.4	84

1100H

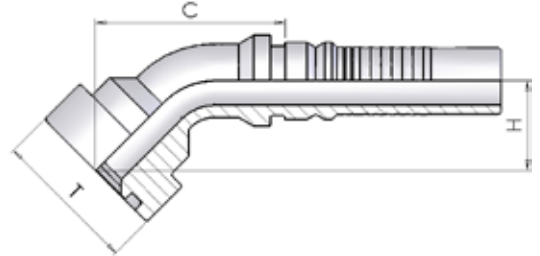


90° SAE Flange 6000 PSI

Part number	Hose I.D.	Dimensions			
		dash size	Flange		Cut-Off C
			T	mm	
	in				
1100H12-12	3/4	12	3/4	41.3	53
1100H12-16	3/4	12	1	47.6	52
1100H16-12	1	16	3/4	41.3	73
1100H16-16	1	16	1	47.6	74
1100H16-20	1	16	1.1/4	54	73
1100H20-16	1.1/4	20	1	47.6	93
1100H20-20	1.1/4	20	1.1/4	54	93
1100H20-24	1.1/4	20	1.1/2	63.5	98
1100H24-24	1.1/2	24	1.1/2	63.5	114
1100H24-32	1.1/2	24	2	79.4	115
1100H32-32	2	32	2	79.4	124

1200H

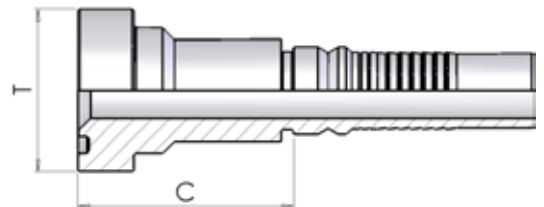
45° SAE Flange 6000 PSI



Part number	Hose I.D.	Dimensions			
		dash	Flange		Cut-Off
			size	T	
	in				C
1200H12-12	3/4	12	3/4	41.3	85
1200H12-16	3/4	12	1	47.6	88
1200H16-12	1	16	3/4	41.3	107
1200H16-16	1	16	1	47.6	112
1200H16-20	1	16	1.1/4	54	117
1200H20-16	1.1/4	20	1	47.6	117
1200H20-20	1.1/4	20	1.1/4	54	139
1200H20-24	1.1/4	20	1.1/2	63.5	144
1200H24-24	1.1/2	24	1.1/2	63.5	167
1200H24-32	1.1/2	24	2	79.4	166
1200H32-32	2	32	2	79.4	200

130SH

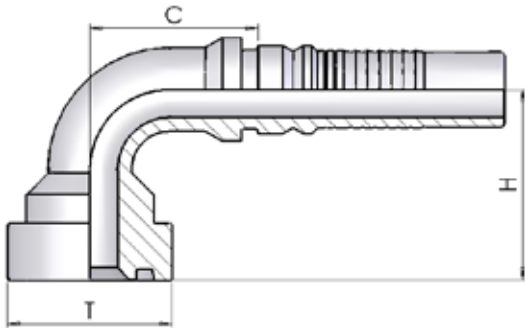
Straight 'CAT' Flange



Part number	Hose I.D.	Dimensions			
		dash	Flange		Cut-Off
			size	T	
	in				C
130SH12-12	3/4	12	3/4	41.3	55
130SH12-16	3/4	12	1	47.6	62
130SH16-16	1	16	1	47.6	63
130SH16-20	1	16	1.1/4	54	70
130SH20-20	1.1/4	20	1.1/4	54	71
130SH24-24	1,1/2	24	1.1/2	64	78

110SH

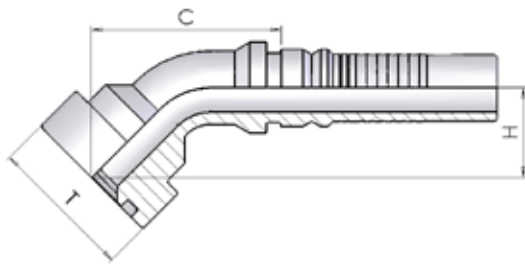
90° 'CAT' Flange



Part number	Hose I.D.	Dimensions			
		dash size	Flange		Cut-Off
	in		T	mm	C
110SH12-12	3/4	12	3/4	41.3	51
110SH16-16	1	16	1	47.6	73.2
110SH16-20	1	16	1.1/4	54	74
110SH20-20	1.1/4	20	1.1/4	54	93
110SH24-24	1,1/2	24	1.1/2	63.5	115

120SH

45° 'CAT' Flange



Part number	Hose I.D.	Dimensions			
		dash size	Flange		Cut-Off
	in		T	mm	C
120SH12-12	3/4	12	3/4	41.3	89
120SH16-16	1	16	1	47.6	115
120SH20-20	1.1/4	20	1.1/4	54	142
120SH24-24	1,1/2	24	1.1/2	63.5	169

Section Index

00S4, 00Y4	127
00Y6, 0050W.....	128
0350W, 0370W.....	129
0370Y, 0084W	130
0084Y	131



00S4



Swaged Ferrule
(skive)

127

00Y4



Swaged Ferrule
(skive)

127

00Y6



Swaged Ferrule
(skive)

128



0050W



BSP Female 60° cone
Thrust Wire

128



0350W



BSP Male Parallel 60°
cone

129



0370W



NPTF Male 60° cone

129

0370Y



NPTF Male 60° cone

130



0084W



Metric Female 24°
Seat Heavy

130

0084Y

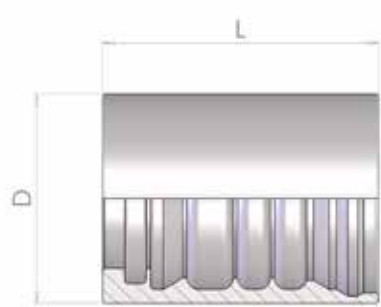


Metric Female 24°
Seat Heavy

131

00S4

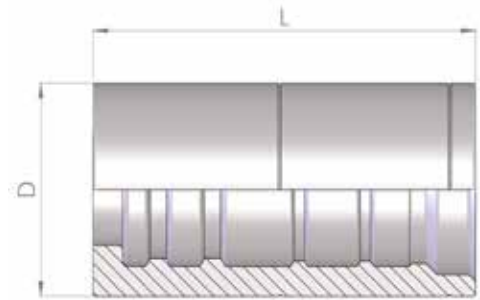
Swaged Ferrule (skive)



Part number	Hose I.D.		Dimensions	
			D	L
	in	mm		
00S4-06	3/8	9.5	28	455
00S4-08	1/2	12.7	33	503
00S4-12	3/4	19	41	56
00S4-16	1	25.4	51	672

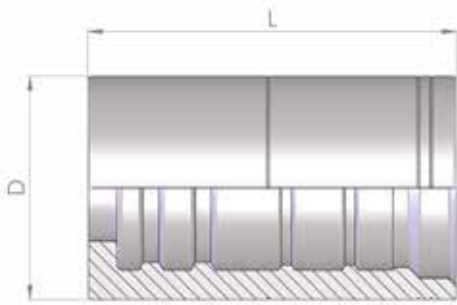
00Y4

Swaged Ferrule (skive)



Part number	Hose I.D.		Dimensions	
			D	L
	in	mm		
00Y4-06	3/8	9.5	325	585
00Y4-08	1/2	12.7	365	62
00Y4-12	3/4	19	438	69

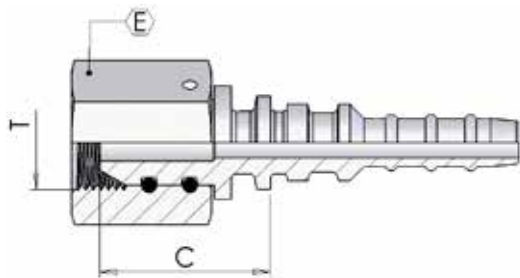
00Y6



Swaged Ferrule (skive)

Part number	Hose I.D.		Dimensions	
	in	mm	D	L
00Y6-06	3/8	9.5	355	585
00Y6-08	1/2	12.7	398	62
00Y6-12	3/4	19	47	69

0050W

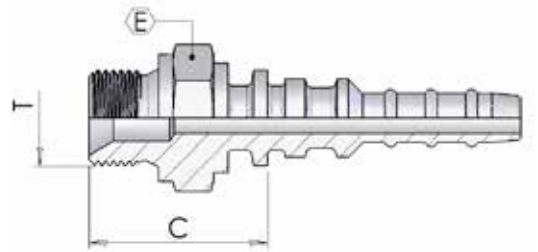


BSP Female 60° cone Thrust Wire

Part number	Hose I.D.	Dimensions		
		dash size	Hex E	Cut-Off C
0050W08-08	1/2	08	30	33
0050W12-12	3/4	12	32	37
0050W16-16	1	16	38	40

0350W

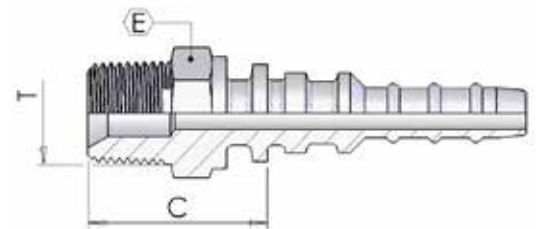
BSP Male Parallel 60° cone



Part number	Hose I.D.		Dimensions			
			dash	Thread	Cut-Off	Hex
	in	mm	size	T	C	E
0350W08-08	1/2	12.7	08	1/2-14	36	27
0350W12-12	3/4	19	12	3/4-14	39	32

0370W

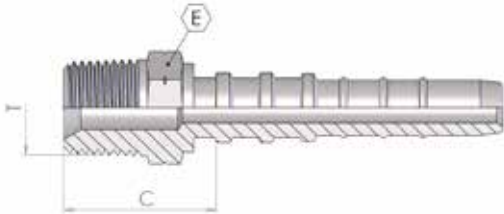
NPTF Male 60° cone



Part number	Hose I.D.		Dimensions			
			dash	Thread	Cut-Off	Hex
	in	mm	size	T	C	E
0370W06-06	3/8	9.5	06	3/8-18	30	19
0370W08-08	1/2	12.7	08	1/2-14	39	22
0370W12-12	3/4	19	12	3/4-14	40	27
0370W16-16	1	25.4	16	1-11.1/2	49	38

0370Y

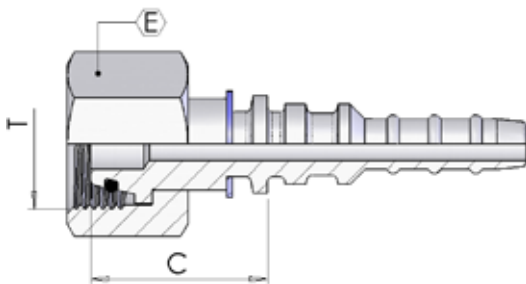
NPTF Male 60° cone



Part number	Hose I.D.		Dimensions			
			dash	Thread	Cut-Off	Hex
	in	mm	size	T	C	E
0370Y06-06	3/8	9.5	06	3/8-18	29	19
0370Y08-08	1/2	12.7	08	1/2-14	35	22
0370Y12-12	3/4	19	12	3/4-14	37	27

0084W

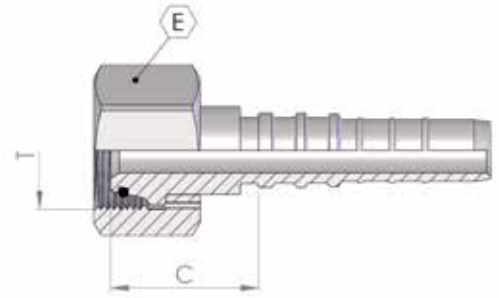
Metric Female 24° Seat Heavy



Part number	Hose I.D.		Dimensions				
			dash	Thread		Cut-Off	Hex
	in	mm	size	T	Erm	C	E
0084W06-20	3/8	9.5	06	M20-1.5	12	29	24
0084W06-22	3/8	9.5	06	M22-1.5	14	31	27
0084W06-24	3/8	9.5	06	M24-1.5	16	31	30
0084W08-24	1/2	12.7	08	M24-1.5	16	33	30
0084W12-36	3/4	19	12	M36-2	25	43	46

0084Y

Metric Female 24° Seat Heavy



Part number	Hose I.D.		Dimensions				
			dash	Thread		Cut-Off	Hex
	in	mm	size	T	Erm	C	E
0084Y06-24	3/8	9.5	06	M24-1.5	16	39	32
0084Y08-24	1/2	12.7	08	M24-1.5	16	39	34
0084Y12-36	3/4	19	12	M36-2	25	45	46



Section Index

0019, 0350M	136
0050M, 0150M	137
0250M, 0850M	138
0900M, 0950M	139
1000M, 0370M	140
0450M, 0084M	141
0184M, 0284M	142
1250M, 1050M	143
1150M, 1300M	144
1100M, 1200M	145
130SM, 110SM	146
120SM, F432M - F434M	147
F032M - F034M	148
F132M - F134M	149



0019



Swaged Ferrule (skive)

136



0350M



BSP Male Parallel 60° cone

136

0050M



BSP Female 60° cone Thrust Wire

137

0150M



BSP 90° Swept Elbow 60° cone Thrust Wire

137

0250M



BSP 45° Swept Elbow 60° cone Thrust Wire

138



0850M



JIC Male 74° cone

138

0900M



JIC Female 74° cone Thrust Wire

139

0950M



JIC 90° Swept Elbow 74° cone Thrust Wire

139

1000M



JIC 45° Swept Elbow 74° cone Thrust Wire

140



0370M



NPTF Male 60° cone

140



0450M



Metric Male 24° Seat Heavy

141

0084M



Metric Female 24° Seat Heavy

141

0184M



90° Metric Swept Elbow 24° Seat Heavy

142

0284M



45° Metric Swept Elbow 24° Seat Heavy

142



1250M



Straight SAE Flange 3000 PSI

143

1050M



90° SAE Flange 3000 PSI

143

1150M



45° SAE Flange 3000 PSI

144

1300M



Straight SAE Flange 6000 PSI

144

1100M



90° SAE Flange 6000 PSI

145

1200M



45° SAE Flange 6000 PSI

145



130SM



Straight 'CAT' Flange

146

110SM



90° 'CAT' Flange

146

120SM



45° 'CAT' Flange

147



F432M - F434M



POCLAIN Male Flange

147

F032M - F034M



POCLAIN Female Flange

148

F132M - F134M

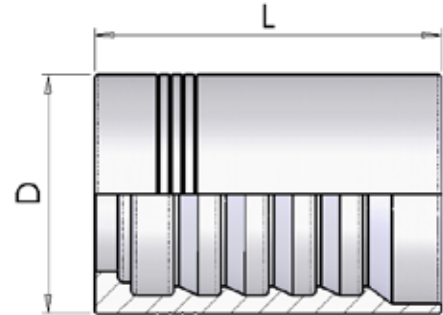


90°POCLAIN Female Flange

149

0019

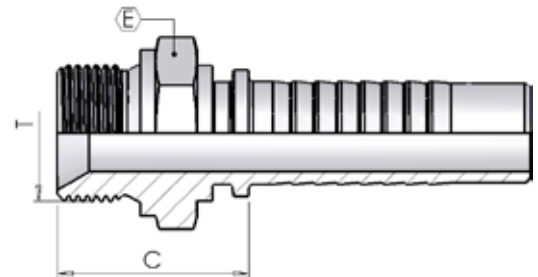
Swaged Ferrule (skive)



Part number	Hose I.D. in	Dimensions		Skive Length
		D	L	
0019-04	1/4	21	40	30
0019-06	3/8	254	43	31
0019-08	1/2	30	45	34
0019-10	5/8	334	50	38
0019-12	3/4	38	55	39
0019-16	1	46	75	56

0350M

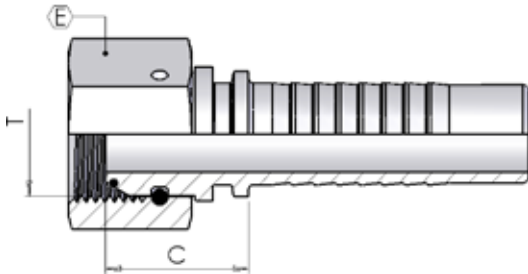
BSP Male Parallel 60° cone



Part number	Hose I.D. in	Dimensions		
		dash size	Hex E	Cut-Off C
0350M04-04	1/4	04	19	28
0350M06-06	3/8	06	22	30
0350M08-08	1/2	08	27	33
0350M12-12	3/4	12	32	37
0350M16-16	1	16	41	42

0050M

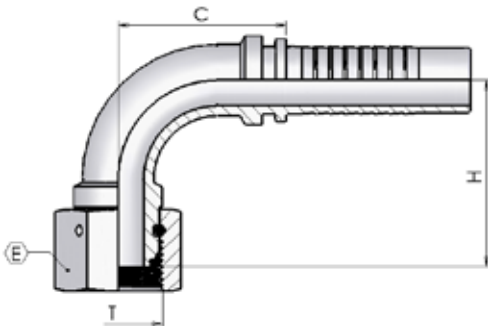
BSP Female 60° cone Thrust Wire



Part number	Hose I.D.	Dimensions		
		dash size	Hex E	Cut-Off C
	in			
0050M04-04	1/4	04	19	20
0050M06-06	3/8	06	22	21
0050M08-08	1/2	08	27	23
0050M12-12	3/4	12	32	27
0050M16-16	1	16	38	30

0150M

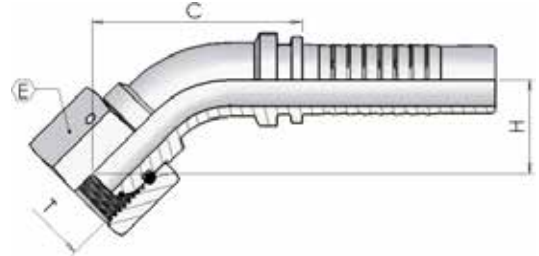
BSP 90° Swept Elbow 60° cone Thrust Wire



Part number	Hose I.D.	Dimensions		
		dash size	Hex E	Cut-Off C
	in			
0150M04-04	1/4	04	19	26
0150M06-06	3/8	06	22	35
0150M08-08	1/2	08	27	40
0150M10-10	5/8	10	30	46
0150M12-12	3/4	12	32	58
0150M16-16	1	16	38	72

0250M

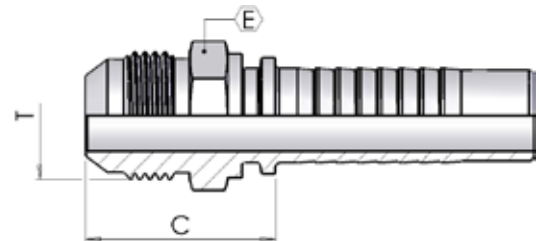
BSP 45° Swept Elbow 60° cone Thrust Wire



Part number	Hose I.D.	Dimensions		
		dash size	Hex E	Cut-Off C
	in			
0250M04-04	1/4	04	19	43
0250M06-06	3/8	06	22	54
0250M08-08	1/2	08	27	67
0250M10-10	5/8	10	30	70
0250M12-12	3/4	12	32	87
0250M16-16	1	16	38	108

0850M

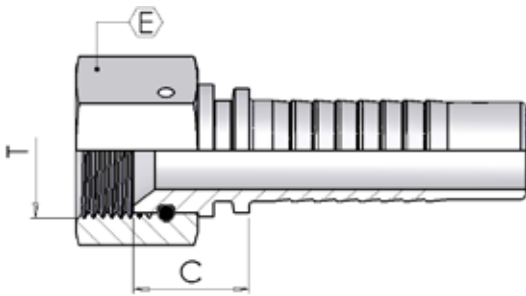
JIC Male 74° cone



Part number	Hose I.D.	Dimensions		
		dash size	Hex E	Cut-Off C
	in			
0850M04-04	1/4	04	12	28
0850M06-06	3/8	06	15	28
0850M06-08	3/8	06	19	32
0850M08-08	1/2	08	19	32
0850M08-10	1/2	08	24	36
0850M10-10	5/8	10	24	36
0850M10-12	5/8	10	27	40
0850M12-12	3/4	12	27	40
0850M12-16	1	16	34	43
0850M16-16	1	16	34	45

0900M

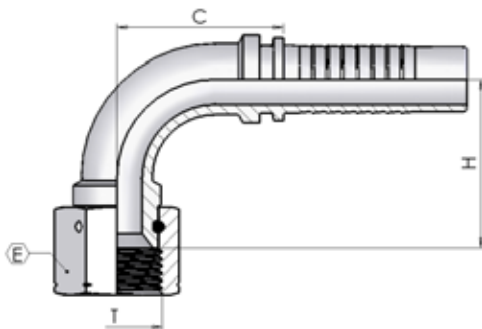
JIC Female 74° cone Thrust Wire Nut



Part number	Hose I.D.	Dimensions		
		dash size	Hex E	Cut-Off C
	in			
0900M04-04	1/4	04	17	16
0900M06-06	3/8	06	19	18
0900M08-08	1/2	08	24	20
0900M08-10	1/2	08	27	21
0900M10-10	5/8	10	27	21
0900M10-12	5/8	10	32	22
0900M12-12	3/4	12	32	23
0900M12-16	3/4	12	41	26
0900M16-16	1	16	41	27

0950M

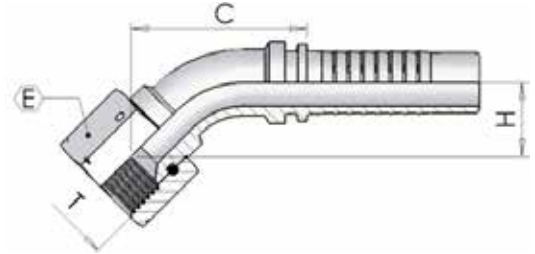
JIC 90° Swept Elbow 74° cone Thrust Wire



Part number	Hose I.D.	Dimensions		
		dash size	Hex E	Cut-Off C
	in			
0950M04-04	1/4	04	17	26
0950M06-06	3/8	06	19	35
0950M08-08	1/2	08	24	40
0950M08-10	1/2	08	27	40
0950M10-10	5/8	10	27	46
0950M12-12	3/4	12	32	58
0950M16-16	1	16	41	72

1000M

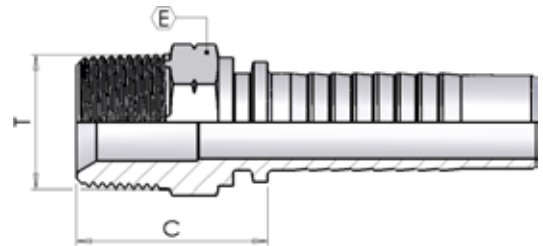
JIC 45° Swept Elbow 74° cone Thrust Wire



Part number	Hose I.D.	Dimensions		
		dash	Hex	Cut-Off
		size	E	C
	in			
1000M04-04	1/4	04	17	42
1000M06-06	3/8	06	19	53
1000M08-08	1/2	08	24	66
1000M08-10	1/2	08	27	67
1000M10-10	5/8	10	27	69
1000M12-12	3/4	12	32	85
1000M16-16	1	16	41	109

0370M

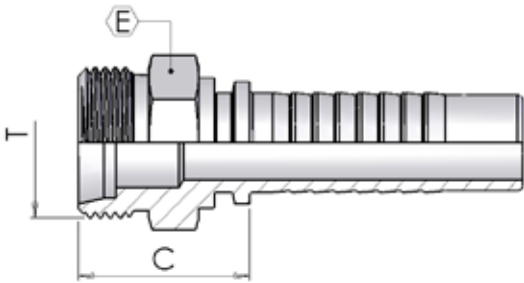
NPTF Male 60° cone



Part number	Hose I.D.	Dimensions		
		dash	Hex	Cut-Off
		size	E	C
	in			
0370M04-04	1/4	04	15	29
0370M04-06	1/4	04	19	29
0370M06-06	3/8	06	19	29
0370M08-08	1/2	08	22	35
0370M12-12	3/4	12	27	39
0370M16-16	1	16	36	46

0450M

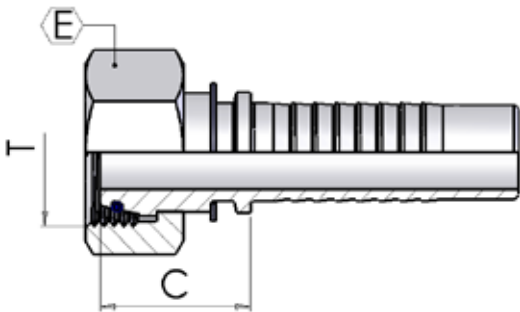
Metric Male 24° Seat Heavy



Part number	Hose I.D.	Dimensions			
		dash size	Erm	Hex E	Cut-Off C
0450M08-24	1/2	08	16	24	32
0450M10-30	5/8	10	20	30	34
0450M12-30	3/4	12	20	36	36
0450M12-36	3/4	12	25	36	40
0450M16-42	1	16	30	46	44

0084M

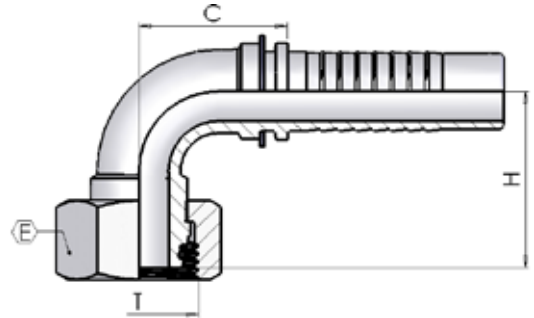
Metric Female 24° Seat Heavy



Part number	Hose I.D.	Dimensions			
		dash size	Erm	Hex E	Cut-Off C
0084M04-16	1/4	04	8	19	27
0084M06-20	3/8	06	12	24	25
0084M08-24	1/2	08	16	30	29
0084M10-30	5/8	10	20	36	34
0084M12-30	3/4	12	20	36	35
0084M12-36	3/4	12	25	46	41
0084M16-36	1	16	25	46	43
0084M16-42	1	16	30	50	45

0184M

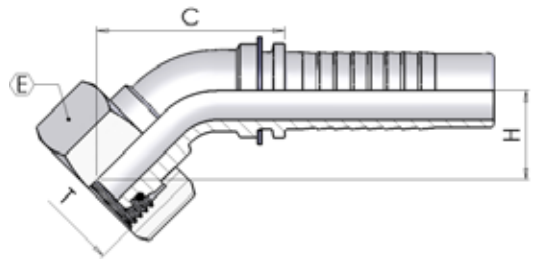
90° Metric Swept Elbow 24° Seat Heavy



Part number	Hose I.D.	Dimensions			
		dash		Hex	Cut-Off
	in	size	Erm	E	C
0184M04-16	1/4	04	8	19	28
0184M06-20	3/8	06	12	24	35
0184M08-24	1/2	08	16	30	42
0184M10-30	5/8	10	20	36	47
0184M12-30	3/4	12	20	36	59
0184M12-36	3/4	12	25	46	58
0184M16-42	1	16	30	50	74

0284M

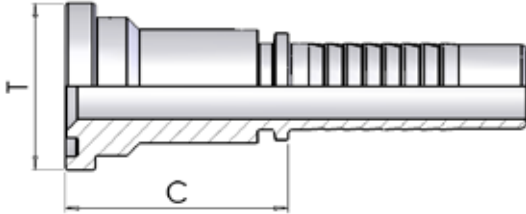
45° Metric Swept Elbow 24° Seat Heavy



Part number	Hose I.D.	Dimensions			
		dash		Hex	Cut-Off
	in	size	Erm	E	C
0284M04-16	1/4	04	8	19	38
0284M06-20	3/8	06	12	24	45
0284M08-24	1/2	08	16	30	64
0284M10-30	5/8	10	20	36	74
0284M12-30	3/4	12	20	36	91
0284M12-36	3/4	12	25	46	91
0284M16-42	1	16	30	50	107

1250M

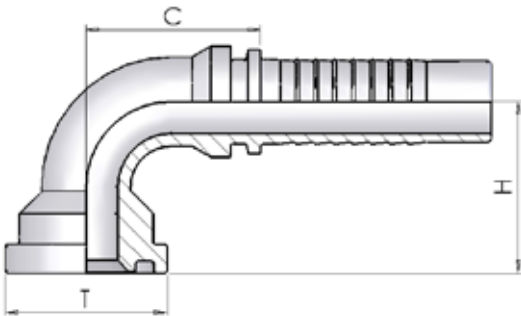
Straight SAE Flange 3000 PSI



Part number	Hose I.D.	Dimensions			
		dash size	Flange		Cut-Off C
			T	mm	
1250M08-08	1/2	08	1/2	30,2	46
1250M12-12	3/4	12	3/4	38.1	51
1250M12-16	3/4	12	1	44.5	54
1250M16-16	1	16	1	44.5	56
1250M16-20	1	16	1.1/4	50.8	59

1050M

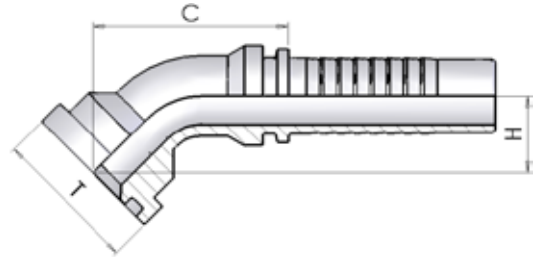
90° SAE Flange 3000 PSI



Part number	Hose I.D.	Dimensions			
		dash size	Flange		Cut-Off C
			T	mm	
1050M08-08	1/2	08	1/2	30,2	40
1050M12-12	3/4	12	3/4	38.1	58
1050M12-16	3/4	12	1	44.5	58
1050M16-16	1	16	1	44.5	72
1050M16-20	1	16	1.1/4	50.8	72

1150M

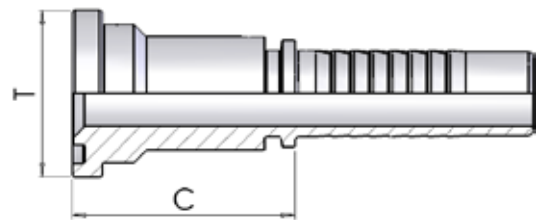
45° SAE Flange 3000 PSI



Part number	Hose I.D.	Dimensions			
		dash size	Flange		Cut-Off C
			T	mm	
1150M08-08	1/2	08	1/2	30,2	63
1150M12-12	3/4	12	3/4	38.1	84
1150M12-16	3/4	12	1	44.5	88
1150M16-16	1	16	1	44.5	106
1150M16-20	1	16	1.1/4	50.8	110

1300M

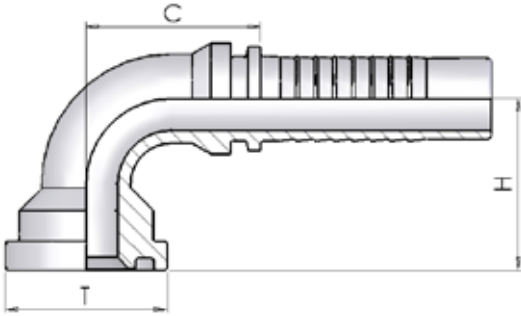
Straight SAE Flange 6000 PSI



Part number	Hose I.D.	Dimensions			
		dash size	Flange		Cut-Off C
			T	mm	
1300M08-08	1/2	08	1/2	31,8	47
1300M10-12	5/8	10	3/4	41.3	54
1300M12-12	3/4	12	3/4	41.3	55
1300M12-16	3/4	12	1	47.6	61
1300M16-16	1	16	1	47.6	63
1300M16-20	1	16	1.1/4	54	70

1100M

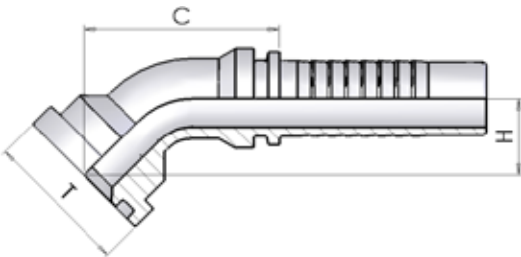
90° SAE Flange 6000 PSI



Part number	Hose I.D.	Dimensions			
		dash	Flange		Cut-Off
		size	T	mm	C
1100M08-08	1/2	08	1/2	31,8	40
1100M10-12	5/8	10	3/4	41.3	46
1100M12-12	3/4	12	3/4	41.3	58
1100M12-16	3/4	12	1	47.6	56
1100M16-16	1	16	1	47.6	72
1100M16-20	1	16	1.1/4	54	72

1200M

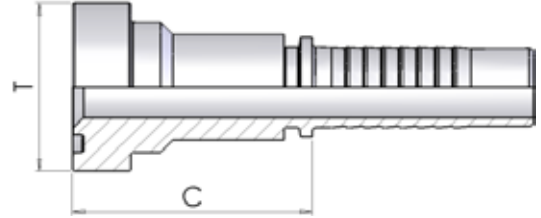
45° SAE Flange 6000 PSI



Part number	Hose I.D.	Dimensions			
		dash	Flange		Cut-Off
		size	T	mm	C
1200M08-08	1/2	08	1/2	31,8	66
1200M10-12	5/8	10	3/4	41.3	73
1200M12-12	3/4	12	3/4	41.3	87
1200M12-16	3/4	12	1	47.6	94
1200M16-16	1	16	1	47.6	109
1200M16-20	1	16	1.1/4	54	115

130SM

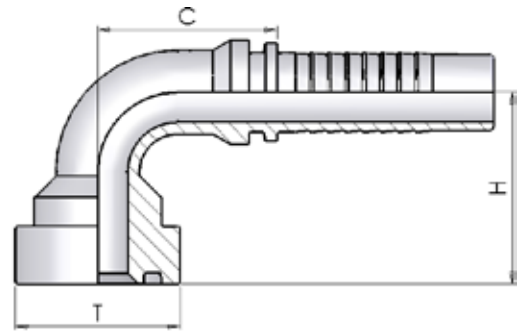
Straight 'CAT' Flange



Part number	Hose I.D.	Dimensions			
		dash size	Flange		Cut-Off
	in		T	mm	C
130SM12-12	3/4	12	3/4	41	59
130SM12-16	3/4	12	1	48	66
130SM16-16	1	16	1	48	67
130SM16-20	1	16	1.1/4	54	75

110SM

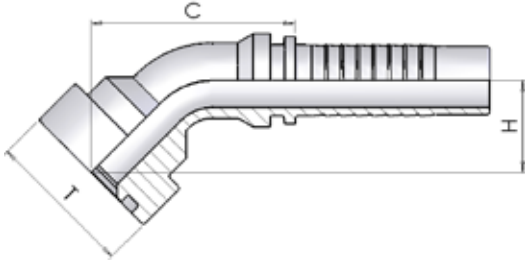
90° 'CAT' Flange



Part number	Hose I.D.	Dimensions			
		dash size	Flange		Cut-Off
	in		T	mm	C
110SM12-12	3/4	12	3/4	41	58
110SM12-16	3/4	12	1	48	58
110SM16-16	1	16	1	48	80
110SM16-20	1	16	1.1/4	54	79

120SM

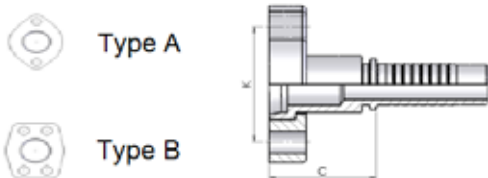
45° 'CAT' Flang



Part number	Hose I.D.	Dimensions			
		dash size	Flange		Cut-Off C
			T	mm	
120SM12-12	3/4	12	3/4	41	90
120SM12-16	3/4	12	1	48	97
120SM16-16	1	16	1	48	121
120SM16-20	1	16	1.1/4	54	124

F432M - F434M

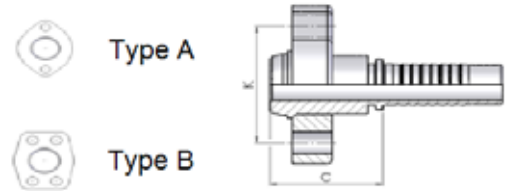
POCLAIN Male Flange



Part number	Hose I.D.	Dimensions		
		dash size	Flange T	Cut-Off C
F432M08-08	1/2	08	1/2	41
F432M10-10	5/8	10	5/8	41
F432M12-12	3/4	12	3/4	52
F432M16-16	1	16	1	64
F432M20-20	1.1/4	20	1.1/4	70
F434M08-08	1/2	08	1/2	41
F434M10-10	5/8	10	5/8	41
F434M12-12	3/4	12	3/4	52
F434M16-16	1	16	1	64
F434M20-20	1.1/4	20	1.1/4	70

F032M - F034M

POCLAIN Female Flange



Part number	Hose I.D.	Dimensions		
		dash	Flange	Cut-Off
		size	T	C
	in			
F032M08-08	1/2	08	1/2	45
F032M10-10	5/8	10	5/8	44
F032M12-12	3/4	12	3/4	51
F032M16-16	1	16	1	62
F032M20-20	1.1/4	20	1.1/4	70
F034M08-08	1/2	08	1/2	45
F034M10-10	5/8	10	5/8	44
F034M12-12	3/4	12	3/4	51
F034M16-16	1	16	1	62
F034M20-20	1.1/4	20	1.1/4	82

F132M - F134M

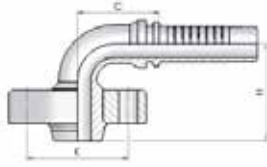
90°POCLAIN Female Flange



Type A



Type B



Part number	Hose I.D. in	Dimensions		
		dash	Flange	Cut-Off
		size	T	C
F132M08-08	1/2	08	1/2	40
F132M10-10	5/8	10	5/8	48
F132M12-12	3/4	12	3/4	63
F132M16-16	1	16	1	80
F132M20-20	1.1/4	20	1.1/4	98
F134M08-08	1/2	08	1/2	40
F134M10-10	5/8	10	5/8	48
F134M12-12	3/4	12	3/4	63
F134M16-16	1	16	1	80
F134M20-20	1.1/4	20	1.1/4	98



Section Index

P050, P150.....	153
P350.....	154
A.....	155
BA.....	156
0345B.....	157
0350B.....	158
0051B.....	159
0151B.....	160
0251B.....	161
0060B, 0160B.....	162
0400B, 0100B.....	163
0200B, 0300B.....	164
1350B.....	165
1400B.....	166



P050



BSP Female 60° cone - UniLock

153

P150



BSP 90° Swept elbow 60° cone - UniLock

153

P350



BSP Male Parallel 60° cone - UniLock

154



A



Aluminium ferrule

155

BA



Steel ferrule

156



0345B



BSP Male - Flat Seat

157

0350B



BSP Male Parallel 60° cone

158



0051B



BSP Female 60° cone

159

0151B



BSP 90° Swept elbow 60° cone

160

0251B



BSP 45° Swept Elbow 60° Cone

161

0060B



BSP Female Flat Seal

162

0160B



BSP 90° Swept elbow flat seat

162



0400B



Metric Male 60° cone

163



0100B



Metric Female 60° cone

163

0200B



90° Metric Swept Elbow 60° cone

164

0300B



45° Metric Swept Elbow 60° cone

164



1350B



Metric Banjo

165

1400B

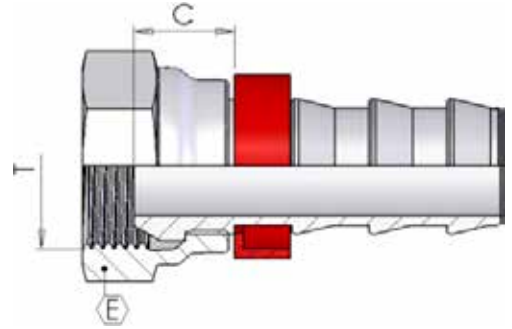


BSP Banjo

166

P050

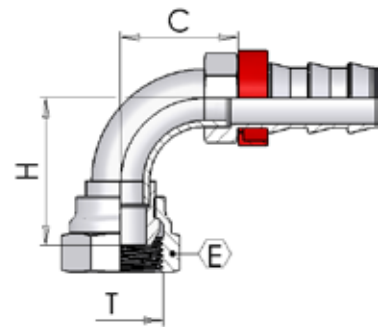
BSP Female 60° cone - UniLock



Part number	Hose I.D.	Dimensions		
		dash	Hex	Cut-Off
		size	E	C
	in			
P050-04-04	1/4	04	17	10
P050-06-06	3/8	06	19	10
P050-08-08	1/2	08	27	13
P050-12-12	3/4	12	32	16
P050-16-16	1	16	38	15

P150

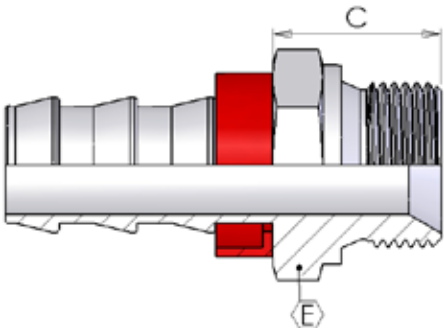
BSP 90° Swept elbow 60° cone - UniLock



Part number	Hose I.D.	Dimensions		
		dash	Hex	Cut-Off
		size	E	C
	in			
P150-04-04	1/4	04	17	20
P150-06-06	3/8	06	19	21
P150-08-08	1/2	08	27	26
P150-12-12	3/4	12	32	37
P150-16-16	1	16	38	44

P350

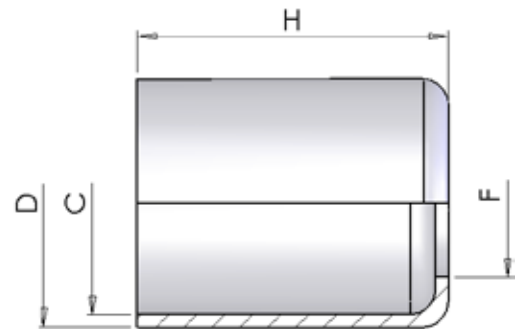
BSP Male Parallel 60° cone - UniLock



Part number	Hose I.D.	Dimensions		
		dash	Hex	Cut-Off
		size	E	C
P350-04-04	1/4	04	19	20
P350-06-06	3/8	06	22	22
P350-08-08	1/2	08	27	25
P350-12-12	3/4	12	32	27
P350-16-16	1	16	41	30

A

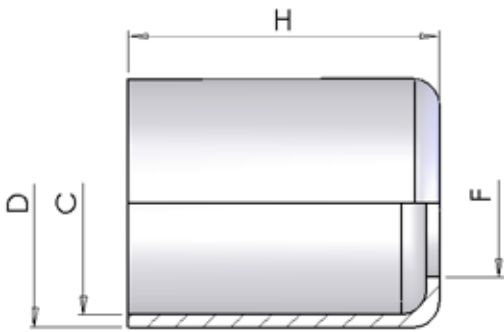
Aluminium ferrule



Part number	Dimensions			
	C	D	F	Drop
A11x13	11	13	8	16
A12x14	12	14	8	17
A13x15	13	15	9	20
A14x16	14	16	9	20
A15x17	15	17	11	20
A16x18	16	18	12	23
A17x19	17	19	12	23
A18x20	18	20	12	23
A19x21	19	21	15	25
A20x22	20	22	15	25
A21x23	21	23	15	25
A22x24	22	24	15	25
A23x25	23	25	16	26
A24x26	24	26	15	26
A26x28	26	28	20	30
A27x29	27	29	20	30
A28x30	28	30	20	30
A30x32	30	32	21	30
A32x34	32	34	22	30
A34x36	34	36	27	35
A36x38	36	38	26	36
A38x40	38	40	27	36
A42x45	42	45	32	40

BA

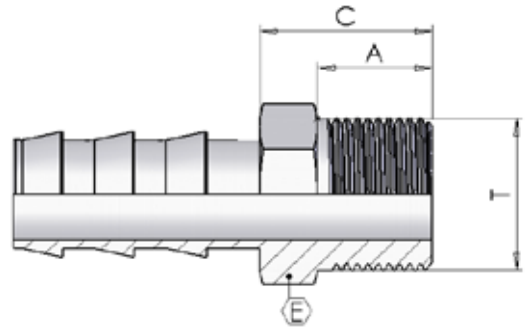
Steel ferrule



Part number	Dimensions			
	C	D	F	Drop
BA-021-024	21	24	16	31
BA-022-025	22	25	16	31
BA-024-027	24	27	18	31
BA-027-030	27	30	20	34
BA-029-032	29	32	21	35
BA-032-035	32	35	23	36
BA-035-038	35	38	27	36
BA-037-040	37	40	28	38
BA-039-042	39	42	29	40
BA-042-045	42	45	32	42
BA-046-050	46	50	34	46
BA-048-052	48	52	35	46
BA-051-055	51	55	42	48
BA-056-060	56	60	43	50
BA-060-065	60	65	45	51
BA-065-070	65	70	53	54
BA-070-075	70	75	55	56
BA-077-082	77	82	65	61
BA-080-085	80	85	68	64
BA-085-090	85	90	68	63
BA-095-100	95	100	78	68
BA-100-105	100	105	84	76

0345B

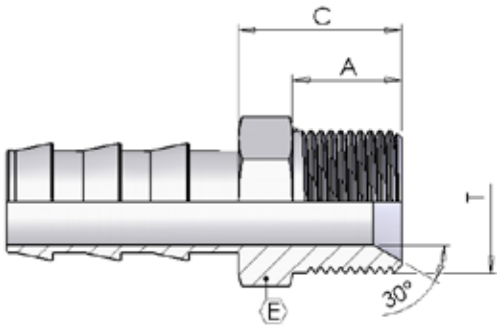
BSP Male - Flat Seat



Part number	Hose I.D.	Dimensions		
		Hex	Cut-Off	
	in	E	C	A
0345B04-02	1/4	14	16	10
0345B04-04	1/4	14	16	10
0345B05-04	5/16	14	16	10
0345B05-06	5/16	17	19	12
0345B06-04	3/8	17	16	10
0345B06-06	3/8	17	19	12
0345B06-08	3/8	22	21	13
0345B08-06	1/2	19	19	12
0345B08-08	1/2	22	21	13
0345B10-06	5/8	19	19	12
0345B10-08	5/8	22	21	13
0345B10-12	5/8	27	21	15
0345B12-08	3/4	24	21	13
0345B12-12	3/4	27	23	15
0345B12-16	3/4	34	25	16
0345B16-12	1	30	23	15
0345B16-16	1	34	25	16
0345B20-12	1.1/4	34	23	15
0345B20-16	1.1/4	36	26	16
0345B20-20	1.1/4	42	27	17
0345B24-20	1.1/2	42	27	17
0345B24-24	1.1/2	50	29	18
0345B32-32	2	60	31	19
0345B40-40	2.1/2	75	36	23

0350B

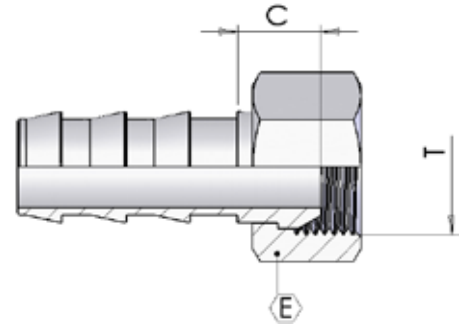
BSP Male Parallel 60° cone



Part number	Hose I.D.	Dimensions		
		Hex	Cut-Off	
	in	E	C	A
0350B04-02	1/4	14	14	9
0350B04-04	1/4	19	16	10
0350B05-04	5/16	19	16	10
0350B06-04	3/8	19	16	10
0350B06-06	3/8	22	18	12

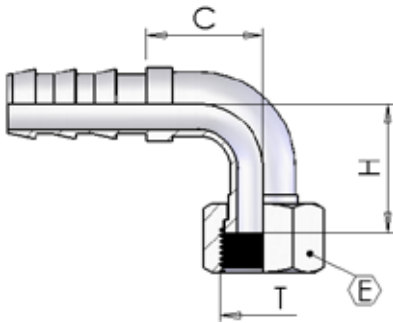
0051B

BSP Female 60° cone



Part number	Hose I.D.	Dimensions	
		Hex	Cut-Off
	in	E	C
0051B03-02	3/16	14	9
0051B04-02	1/4	14	9
0051B04-04	1/4	17	10
0051B05-04	5/16	17	10
0051B05-06	5/16	19	11
0051B06-06	3/8	19	11
0051B06-08	3/8	24	12
0051B08-06	1/2	19	11
0051B08-08	1/2	24	12
0051B10-08	5/8	24	12
0051B10-12	5/8	30	14
0051B12-12	3/4	30	14
0051B12-16	3/4	38	15
0051B16-16	1	38	16
0051B20-20	1.1/4	46	16
0051B20-24	1.1/4	55	18
0051B24-24	1.1/2	55	18
0051B32-32	2	65	19
0051B40-40	2.1/2	85	24
0051B48-48	3	100	26

0151B

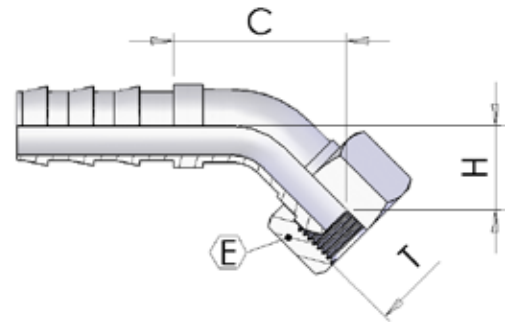


BSP 90° Swept elbow 60° cone

Part number	Hose I.D.	Dimensions	
		Hex	Cut-Off
	in	E	C
0151B04-04	1/4	17	28
0151B05-04	5/16	17	28
0151B05-06	5/16	19	32
0151B06-06	3/8	19	33
0151B06-08	3/8	24	38
0151B08-06	1/2	19	38
0151B08-08	1/2	24	43
0151B08-12	1/2	30	40
0151B10-08	5/8	24	44
0151B10-12	5/8	30	40
0151B12-12	3/4	30	51
0151B12-16	3/4	38	45
0151B16-12	1	32	45
0151B16-16	1	38	60
0151B16-20	1	46	56
0151B20-20	1.1/4	46	70
0151B24-24	1.1/2	55	70
0151B32-32	2	65	66
0151B40-40	2.1/2	85	82

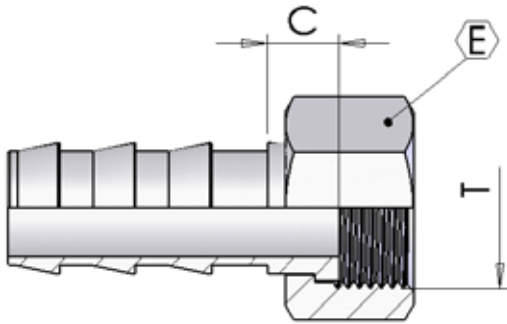
0251B

BSP 45° Swept Elbow 60° Cone



Part number	Hose I.D.	Dimensions	
		Hex	Cut-Off
	in	E	C
0251B04-04	1/4	17	44
0251B05-06	5/16	19	50
0251B06-06	3/8	19	52
0251B06-08	3/8	24	54
0251B08-06	1/2	19	54
0251B08-08	1/2	24	60
0251B10-12	5/8	30	65
0251B12-12	3/4	30	65
0251B12-16	3/4	38	55
0251B16-16	1	38	74
0251B20-20	1.1/4	46	72
0251B24-24	1.1/2	55	72
0251B32-32	2	65	90

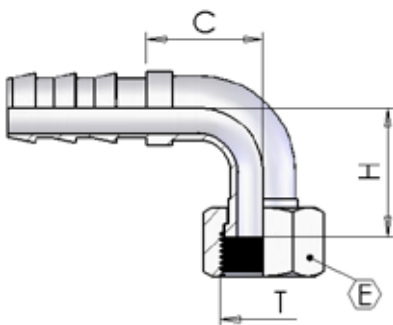
0060B



BSP Female Flat Seal

Part number	Hose I.D.	Dimensions	
		Hex	Cut-Off
	in	E	C
0060B04-04	1/4	17	7
0060B05-04	5/16	17	7
0060B05-06	5/16	19	8
0060B06-06	3/8	19	8
0060B06-08	3/8	24	8
0060B08-08	1/2	24	8
0060B10-12	5/8	30	9
0060B12-12	3/4	30	9
0060B12-16	3/4	38	10
0060B16-16	1	38	11
0060B20-20	1.1/4	46	11
0060B24-24	1.1/2	55	12
0060B32-32	2	65	12

0160B

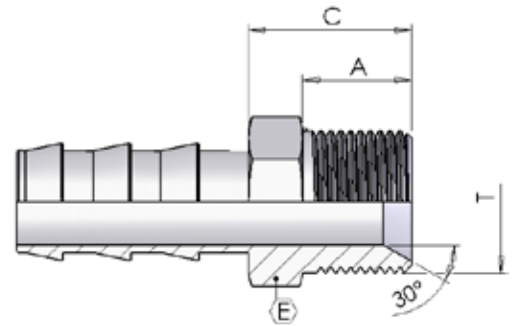


BSP 90° Swept elbow flat seat

Part number	Hose I.D.	Dimensions	
		Hex	Cut-Off
	in	E	C
0160B08-08	1/2	24	43
0160B08-12	1/2	30	40
0160B12-12	3/4	30	40
0160B12-16	3/4	38	45

0400B

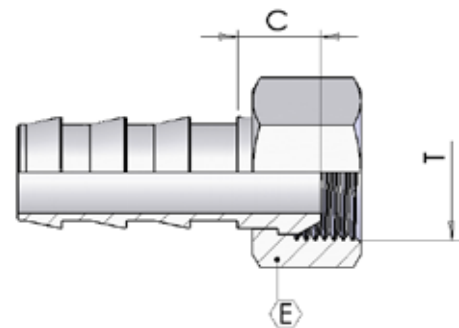
Metric Male 60° cone



Part number	Hose I.D.	Dimensions		
		Hex	Cut-Off	
	in	E	C	A
0400B04-14	1/4	19	17	11
0400B05-14	5/16	19	17	11
0400B06-14	3/8	19	17	11

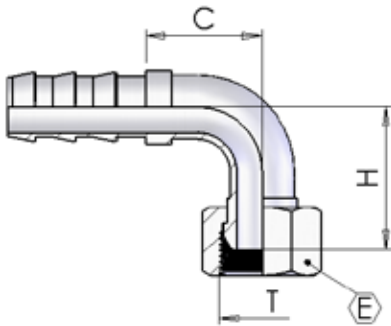
0100B

Metric Female 60° cone



Part number	Hose I.D.	Dimensions	
		Hex	Cut-Off
	in	E	C
0100B03-10	3/16	14	9
0100B03-12	3/16	17	10
0100B04-12	1/4	17	10
0100B04-14	1/4	17	10
0100B05-14	5/16	17	10
0100B05-16	5/16	19	11
0100B06-18	3/8	22	11
0100B08-18	1/2	22	12
0100B08-22	1/2	27	12
0100B10-22	5/8	27	12
0100B10-26	5/8	32	14
0100B12-26	3/4	32	14

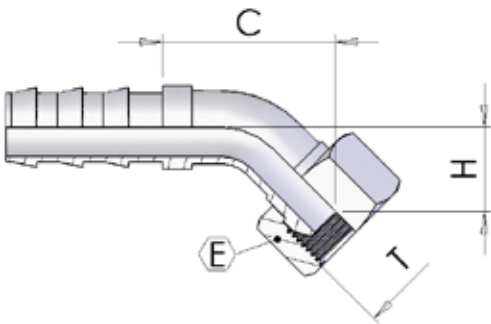
0200B



90° Metric Swept Elbow 60° cone

Part number	Hose I.D.	Dimensions	
		Hex	Cut-Off
	in	E	C
0200B04-14	1/4	17	28
0200B05-16	5/16	19	32
0200B06-18	3/8	22	35
0200B08-22	1/2	27	43
0200B10-26	5/8	32	43
0200B12-26	3/4	32	51

0300B

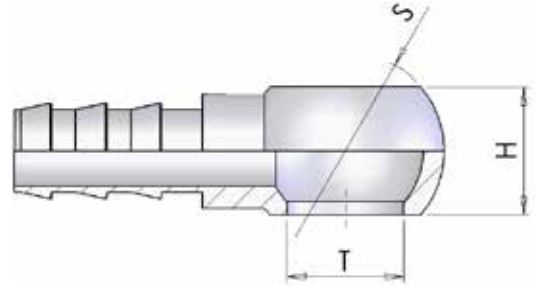


45° Metric Swept Elbow 60° cone

Part number	Hose I.D.	Dimensions	
		Hex	Cut-Off
	in	E	C
0300B04-14	1/4	17	44
0300B05-16	5/16	19	50
0300B06-18	3/8	22	52
0300B08-18	1/2	22	54
0300B08-22	1/2	27	62
0300B12-26	3/4	32	65

1350B

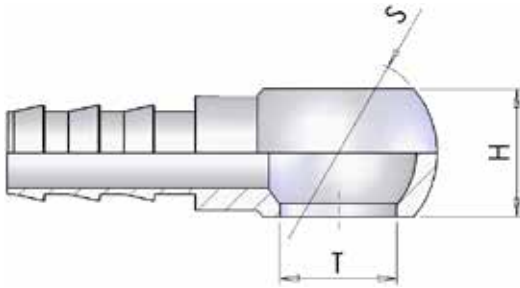
Metric Banjo



Part number	Hose I.D.	Dimensions
		Drop
	in	H
1350B04-10	1/4	11
1350B04-12	1/4	12
1350B04-14	1/4	14
1350B05-12	5/16	12
1350B05-14	5/16	14
1350B05-16	5/16	19
1350B06-16	3/8	19
1350B06-18	3/8	20
1350B08-18	1/2	20
1350B08-22	1/2	23
1350B10-18	5/8	20

1400B

BSP Banjo



Part number	Hose I.D.	Dimensions
		Drop
	in	H
1400B04-04	1/4	14
1400B05-04	5/16	14
1400B05-06	5/16	17
1400B06-04	3/8	14
1400B06-06	3/8	17
1400B08-06	1/2	17
1400B08-08	1/2	22
1400B10-06	5/8	17
1400B10-08	5/8	22
1400B10-12	5/8	29
1400B12-12	3/4	29
1400B16-12	1	29
1400B16-16	1	35

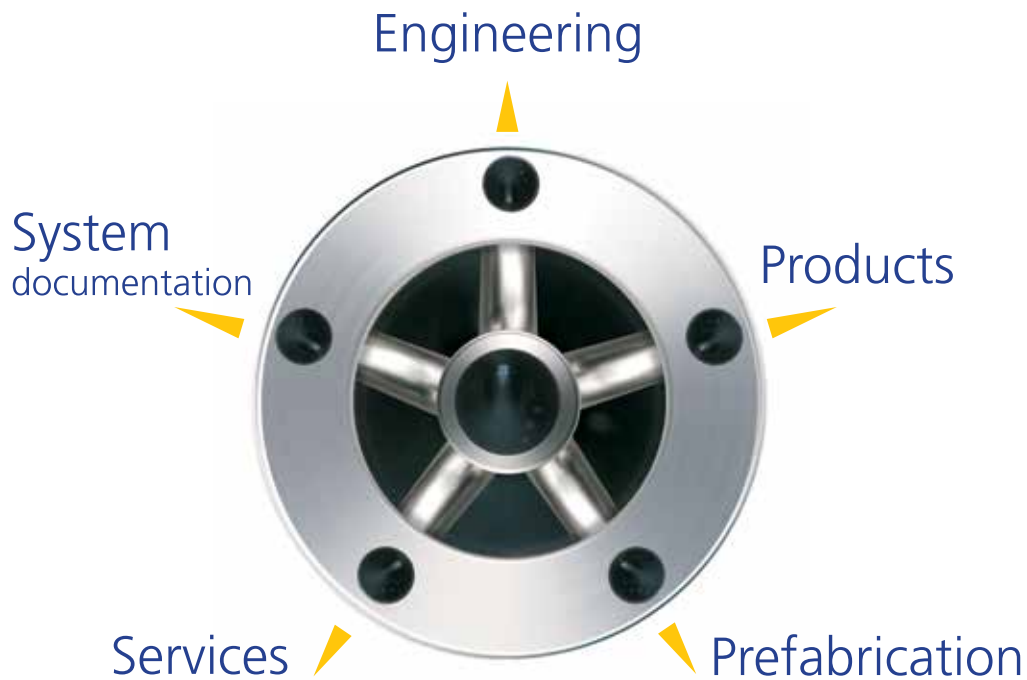






GS-Hydro is the original provider of non-welded piping solutions with numerous benefits for a wide variety of demanding applications. We create value together with our customers by providing innovative fluid transfer solutions which enable safe operation, reduced environmental impact and lower total cost of ownership. We deliver our piping and hose solutions globally in more than twenty-five countries through own companies and partners.

GS-Hydro system offering



sales@gshydro.com
www.gshydro.com

